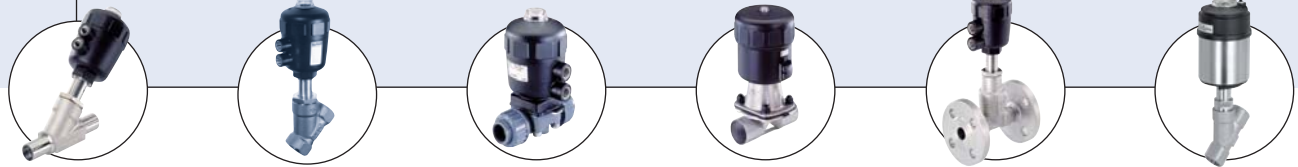


## Accessories for pneumatic stroke and rotary actuators – CLASSIC and ELEMENT process valves



- Complete modular designed accessory program
- More for less - optimal configuration costs
- Easy maintenance and commissioning
- Increase system and operational safety

Type 2XXX can be combined with...



**Type 2000**

Angle-seat valve

**Type 2002**

Compact angle-seat valve

**Type 2030**

Plastic diaphragm valve

**Type 2031**

Diaphragm valve

**Type 2012**

Globe valve

**Type 210X**

ELEMENT Process valve

The modular designed accessory option package is the comprehensive addition to the Bürkert process valves with pneumatic, linear or quarter-turn actuator (Types 2000, 2002, 2012, 2030, 2031, 2031K, 2050, 2652, 2655, 2658, 2672, 2675). The flexible, easily accessible concept of modular accessories has been designed to cover individual application requirements in a cost-effective way.

The design has been optimized for easy installation (retro-fitting), commissioning and operation.

### Technical data

**Type 1062**

Electrical position feedback  
(Actuator Ø 40-125)

Mechanical limit switches  
Inductive limit switches with 3-wire technology  
Inductive double limit switch with 4-wire technology  
NAMUR inductive double limit switch with 2-wire technology

**Type 8631**

Electrical position feedback  
(Actuator Ø 80-225)

Mechanical limit switches  
Inductive limit switches

**Type 1060**

Position feedback  
(Actuator Ø 50-225)

Change-over contact

**Adapters for proximity switches**

Adapter for proximity switches M12 x 1 (fastening angle)  
Adapter for proximity switches (Nipple with thread M12x1)

**Type 1071**

External magnet inductive position feedback  
(Actuator Ø 50-125)

PNP

**Stroke limitation**

(Actuator Ø 50-225)

Max. upper stroke limitation, without optical position indicator  
Max. and Min. stroke limitation, with optical position indicator

**Manual override**

(Actuator Ø 50-125)

With visual position indication for valve operation when pressure drops

**NAMUR-Adapter**

(Actuator Ø 50-125)

Adapter plate with screw connection for pilot valve

## Type 1062, electrical position feedback



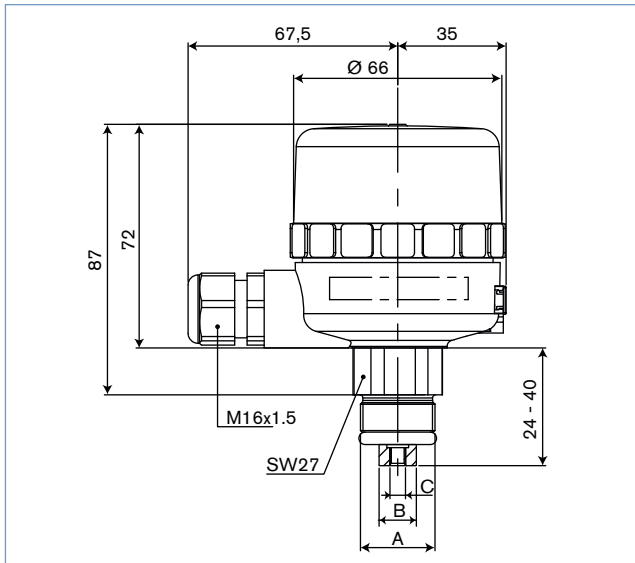
The electrical position feedback is to be installed on a valve. Valve positions are remotely reported electrically according to switch type:

- open, closed (version with a limit switch) or
- open and closed (version with two switches or a double limit switch)

LEDs provide optical position indication (except with the inductive 2-wires version). Mechanical or inductive switches are housed in a compact splash-proof enclosure. The position indicator can be rotated 360° and is easily fitted to the valve.

Technical data	
<b>Material</b>	
Body / cover	PA6/PC
Seal (body/cover)	EPDM
Cable gland	PA or PVDF
Guide piece	Brass or stainless steel
Spindle	Brass and stainless steel
<b>Electrical connection</b>	Terminal strip with cable screwing M16x1.5, cable-Ø between 5 and 7 mm, wire profile max. 1 mm <sup>2</sup>
<b>Ambient temperature</b>	-20 to +60°C (operation and storage) [for CSA version : 0 to +60°C (operation and storage)]
<b>Relative humidity</b>	≤ 80%, without condensation
<b>Protection class</b>	IP65 with mounted and tightened connectors and tightly fixed electronic module cover
<b>Approval</b>	Limit switches acc. to VDE, IEC, UL 61010-1, CSA C22.2 n°61010-1-04, inductive limit switch in EExi (intrinsically safe) acc. to II 2 GD EEx ia II C T6, T5 or T4-T1
<b>Mounting</b>	on piston actuator with actuator size Ø 40-125 mm
<b>Installation</b>	As required
Mechanical limit switch (per limit switch)	
<b>Number of limit switches</b>	1 or 2
<b>Output version</b>	Change-over contact (open and /or closed) in silver or gold
<b>Status</b>	Open, closed or open/closed, supply voltage, Control lamp (LED) : green, red, orange and electrical feedback
<b>Power supply</b>	12-48 V DC/AC; [for CSA version : 12-30 V AC / 12-48 V DC]
<b>Power consumption (per limit switch)</b>	< 35 mA (48 V DC)
<b>Load current (per limit switch)</b>	see table on next page
<b>Voltage drop</b>	Max. 1 V DC
Inductive limit switch with 3-wire technology	
<b>Number of limit switches</b>	1 or 2
<b>Output version</b>	normally open contact (PNP)
<b>Status</b>	Open, closed or open/closed, supply voltage, Control lamp (LED): green, red, orange and electrical feedback
<b>Power supply</b>	10-30 V DC
<b>Power consumption (per limit switch)</b>	≤ 15 mA
<b>Load current (per limit switch)</b>	≤ 150 mA, per output
Inductive double limit switch with 4-wire technology	
<b>Number of limit switches</b>	1
<b>Output version</b>	normally open contact (PNP)
<b>Status</b>	Open and closed, supply voltage, Control lamp (LED): green, red, orange and electrical feedback
<b>Power supply</b>	10-30 V DC
<b>Power consumption (per limit switch)</b>	≤ 15 mA
<b>Load current (per limit switch)</b>	≤ 150 mA, per output
NAMUR inductive double limit switch with 2-wire technology	
<b>Number of limit switches</b>	1
<b>Output version</b>	acc. to NAMUR
<b>Status</b>	Open and closed, Control lamp (LED): red, orange and electrical feedback
<b>Power supply</b>	8 V DC through isolating barrier
<b>Power consumption</b>	≤ 1.2 mA (damped) > 2.1 mA (undamped)
<b>Load current</b>	not applicable
Specific technical data : switch with CSA approval	
<b>Degree of pollution</b>	2
<b>Category of installation</b>	I
<b>Altitude max.</b>	2000 m
<b>Power supply</b>	through power source (SELV)

Dimensions [mm]



Electrical specification for mechanical switches

Voltage [V]	Maximum inductive load [A]	Maximum resistance load [A]
24 DC	5	5
30 DC	2	5
50 DC	0,7	1
74 DC	0,25	0,6

Actuator size	A	B	C
Ø 40	M24 x 1.5	12	M5
Ø 50, 63 and 80	M26 x 1.5	10	M6
Ø 100 and 125	M36 x 2	16	M10

Ordering chart electrical position feedback Type 1062 (actuator size 40-125mm)

Feedback with mechanical switches (change-over contact for UC)

Status	for pneumatic stroke actuator			for pneumatic rotary actuator	
	Actuator size Ø [mm]	Item no. (12-48 V DC/ AC)	Item no. CSA approval (12-30 V AC / 12-48 V DC)	Actuator size Ø [mm]	Item no. (12-48 V DC/ AC)
closed	40	444 182	-	-	-
open	40	444 181	-	-	-
open/closed	40	444 183	562 568	-	-
closed	50-80	007 461	-	63	431 477
open	50-80	007 462	-	63	431 476
open/closed	50-80	007 463	562 566	63	431 478
closed	100-125	007 464	-	100	431 480
open	100-125	007 465	-	100	431 479
open/closed	100-125	007 466	562 567	100	431 481

Feedback with induction switches (normally open contacts for DC)

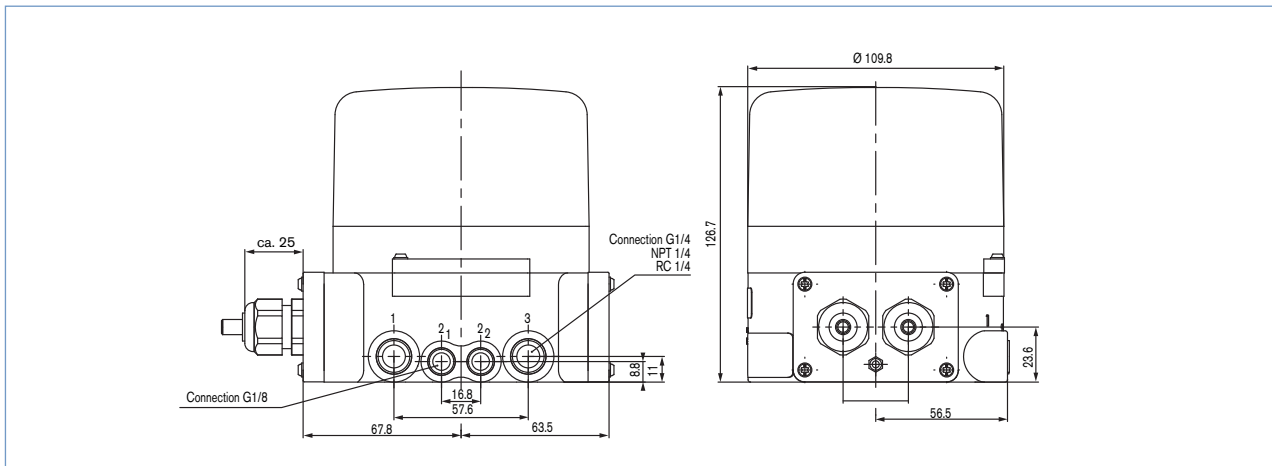
Status	for pneumatic stroke actuator				for pneumatic rotary actuator		
	Actuator size Ø [mm]	Item no. with 3-wire technology 10-30 V DC	Item no. double limit switch 10-30 V DC	Item no. double limit switch CSA approval 10-30 V DC	Item no. double limit switch Namur (EExi) 8 V DC	Actuator size Ø [mm]	Item no. 10-30 V DC
closed	40	444 188	560 407	562 563	560 411	-	-
open	40	552 653				-	-
open/closed	40	444 189				-	-
closed	50-80	005 422	560 408	562 564	560 412	63	431 501
open	50-80	005 434				63	431 500
open/closed	50-80	005 461				63	431 502
closed	100-125	007 467	560 409	562 565	560 413	100	431 504
open	100-125	007 468				100	431 503
open/closed	100-125	007 469				100	431 505

## Type 8631, electrical position feedback (for actuator size 80 to 225mm)



Technical data	
<b>Material</b>	
Body	PPE/PA
Cover	PSU (transparent)
Device variants	For single and double actuated actuators
<b>Ambient temperature</b>	-10 to +50 °C
<b>Electrical connection</b>	M16 x 1.5 bushing by means of screw clamps
<b>Protection class</b>	IP65 acc. to EN 60529
<b>Mounting</b>	On piston actuator with Ø 80 - 225mm
<b>Installation</b>	As required
<b>Operating voltage</b>	
Mechanical limit switches	10-30 V DC / max. 5 A
Inductive limit switches	8...30 V DC / max. 100 mA
<b>Position feedback</b>	
inductive limit switch (proximity switch); 24 V	position feedback via binary outputs (NO)
mechanical limit switch; 24 V o	position feedback via binary outputs (NO or NC)
<b>Option for communication circuit</b>	
	ASI (AS interface)
	Device Net
<b>Further options</b>	
	NAMUR Limit switches acc. to II 2G EEx ia IIC (ATEX);
	Limit switches acc. to II 3G/D EEx T4 (on request)

### Dimensions [mm]



### Ordering chart (other versions on request)

Type of feedback	Switches	Electric connection	Communication	II 2G EEx ia IIC	Item no.
inductive	1	Cable connection	-	-	154 354
inductive	2	Cable connection	-	-	154 353
mechanical	1	Cable connection	-	-	169 187
mechanical	2	Cable connection	-	-	146 643
inductive	2	Multipol M12	ASI	-	146 642
inductive NAMUR	1	Cable connection	-	with	169 579
Adapterset for actuator 80mm					648 755
Adapterset for actuator 100mm					648 756
Adapterset for actuator 125mm					648 757
Adapterset for actuator 175 and 225mm					655 596

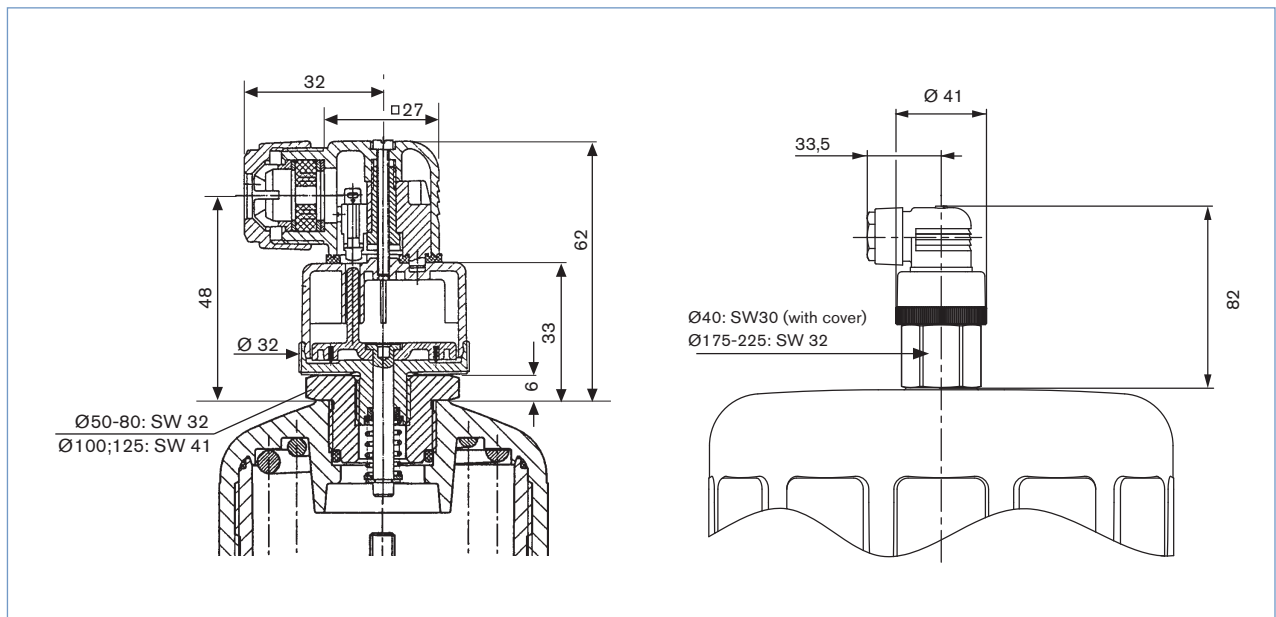
## Type 1060, electrical position feedback



Technical data	
Material	plastic
Electrical connection	solder connections, cable entry sealed by gland with cable grip to suit cable Ø 5-9 mm
Protection class category	IP65
Max. continuous temperature	+125 °C
Micro switch	change-over contact
Contact rating	Max. 250 V AC Max. 250 V DC
Installation	screwed in instead of the visual position indicator

The electrical position feedback is screwed in, instead of the visual position indicator. While the valve is opening, the piston of the actuator lifts a palm-button. This button actuates a micro switch with change-over contact, which gives the electrical feedback of the valve position. The palm-button also acts as an optical position indicator.

## Dimensions [mm]



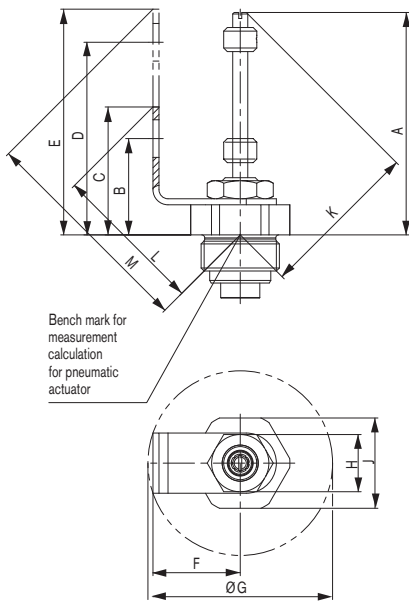
## Ordering chart

Actuator size Ø	Item no.
40 (Seat valve)	158 244
40 (Diaphragm valve)	158 220
50-80	701 515
100, 125	701 516
175, 225	655 696

Adapters for proximity switches CLASSIC valves

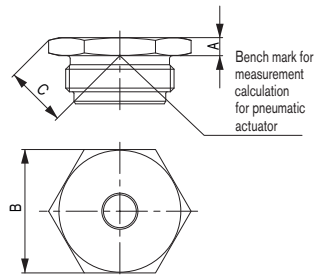


Adapter for proximity switches M12x1 (fastening angle)



Bench mark for measurement calculation for pneumatic actuator

Adapter for proximity switch (nipple with M12x1 thread)



Bench mark for measurement calculation for pneumatic actuator

Actuator size (Ø)	A	B	C	Item no.
40	25	A/F30	29.5	on request
50, 63, 80	6	A/F32	17	648 152
100, 125	6	A/F41	21	649 257
175, 225	28.5	A/F32	33	669 773

Sensor	Actuator size (Ø)	A	B	C	D	E	F	Ø G	H	J	K	L	M	Item no.
single	50, 63, 80	65.5	32	42.5	-	-	29	61.5	A/F19	A/F30	48	51	-	649 381
single	100, 125	80.5	35	45.5	-	-	29	61.5	A/F19	A/F30	49	53	-	649 382
double	50, 63, 80	80.5	28	-	74	85	24	52	A/F19	A/F30	59	-	78	667 988
double	100, 125	95.5	31	-	77	88	24	52	A/F19	A/F30	69	-	80	667 989
double	175, 225	145	68	-	136	147	24	52	A/F19	A/F30	104	-	121	669 810

## Type 1071, external magnetic inductive position feedback

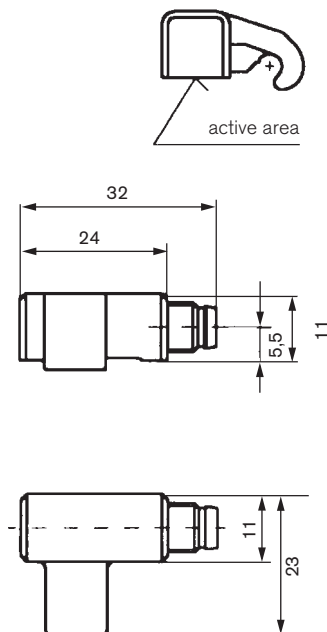


The magnetic-inductive sensors react to the approach of the magnetic piston of the series 2XXX piston operated seat or diaphragm valves. Thus, the piston position can be optically and electrically displayed with an LED. In addition it permits the use of a stroke limiter or manual override.

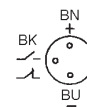
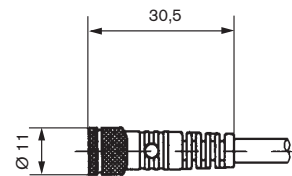
Technical data	
<b>Material</b> sensor body fixing bracket	PBTP (GF-reinforced) Pressure casting, stainless steel
<b>Ambient temperature</b>	-20 to +70 °C
<b>Electrical connection</b>	Plug connection or cable (3m long)
<b>Protection class</b>	IP67
<b>Mounting</b>	by means of fixing brackets at piston actuator (see drawing)
<b>Version</b>	PNP
<b>Operating voltage</b>	10...30 V DC
<b>Power consumption</b> damped undamped	≤ 12 mA ≤ 10 mA
<b>Nominal field strength</b>	$ H_n  = 1.2 \text{ kA/m}$
<b>Working field strength</b>	$ H_a  \geq \text{kA/m}$
<b>Hysteresis</b>	≤ 45 % of $H_n$
<b>Temperature drift of switch-on point</b>	≤ 0.3 %/°C
<b>Ripple</b>	≤ 15 %
<b>Acceptable current load</b>	Max. 200 mA
<b>Acceptable capacitive load</b>	≤ 1 μF
<b>Voltage drop <math>U_d</math></b>	≤ 2.5 V
<b>Turn on time</b>	≤ 0.5 ms
<b>Switch-off time</b>	20 to 50 ms
<b>Weight</b>	6g

## Dimensions [mm]

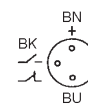
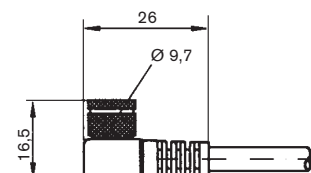
Sensor Type 1071 with plug connector, IP 67



Plug connector, straight, without LED, cable 3m



Elbow plug connector, with LED, cable 3m



## Ordering charts for external magnetic inductive position feedback, Type 1071

Required individual parts: magnetic piston, fixing bracket, sensor, plug

### Magnetic piston

Actuator size Ø [mm]	Item no.
50	630 063
63	630 064
80	630 065
100	630 066
125	630 067

### Sensor bracket

Actuator size Ø	Item no.
50	670 027
all other actuators	636 239

### Elbow joint

Material	Item no.
Stainless steel	636 241
Pressure casting	780 558

### Sensor

Version	Item no.
inductive with plug connection (with LED)	780 110
inductive with 3m cable (with LED)	780 111

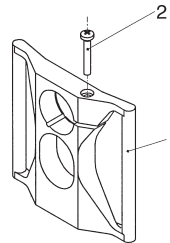
### Plug for sensor with plug connection

Version	Item no.
angled, with 3m cable	780 112
straight, with 3m cable	780 113

### Mounting information

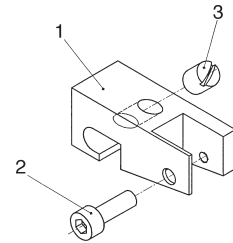
#### Sensor bracket

- 1 bracket
- 2 screw

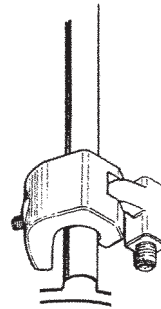


#### Elbow joint

- 1 elbow joint
- 2 screw
- 3 Pin



Mount sensor to elbow joint and sensor bracket



#### Mounting note magnetic piston

To mount the magnet piston the use of a special key is necessary to open the actuator cover. (Ordering information on page 9)

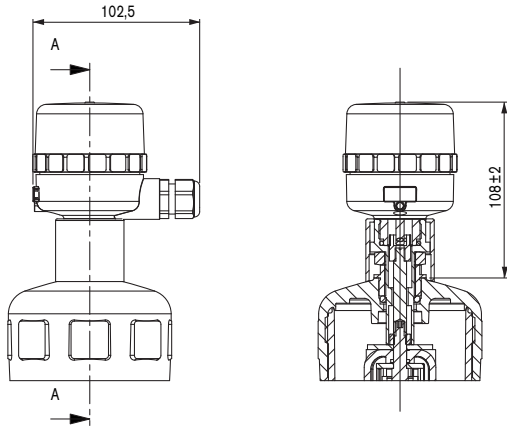


Stroke limiter (basic) for electric feedback combination, Type 1062

Dimensions [mm]

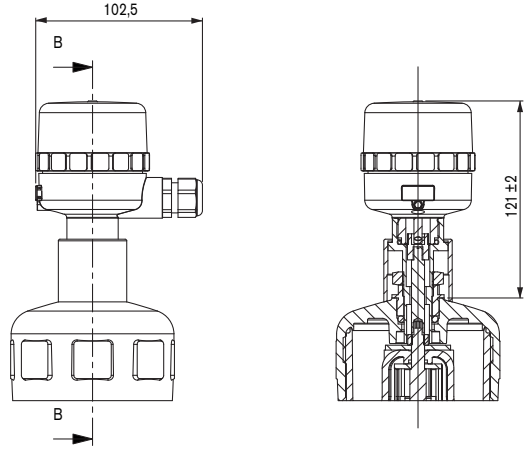
Valve closed

STROKE LIMITER for actuator, Ø50-80mm  
Minimum setting of the opening (stroke = 0)



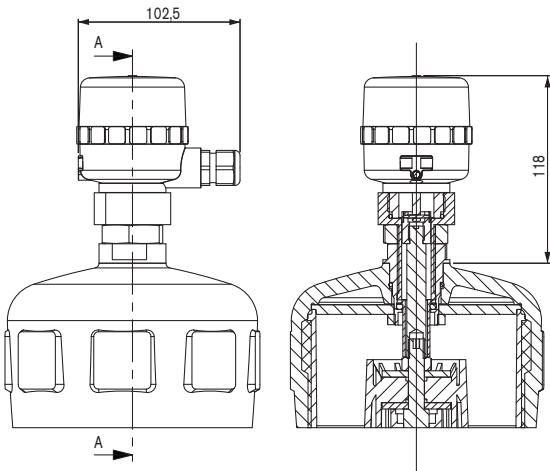
Valve open

STROKE LIMITER for actuator, Ø50-80mm  
Maximum setting of the Opening (stroke = Max.)



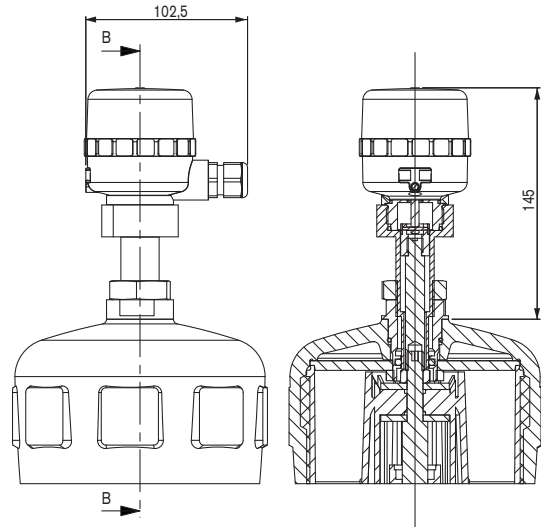
Valve closed

STROKE LIMITER for actuator Ø100 and 125mm,  
Minimum setting of opening (stroke = 0)



Valve open

STROKE LIMITER for actuator Ø100 and 125mm,  
Maximum setting of opening (stroke = Max.)



Ordering chart

for Actuator Ø (mm)	Item no.
50 and 63	551 868
80	557 043
100 and 125	552 360

Stroke limiter for stroke actuators CLASSIC valves

Ø 50-125 [mm]    Ø 175-225 [mm]



Technical data

Max. stroke limitation

<b>Special feature</b>	without visual position indicator (upper stroke limitation only)
<b>Mounting</b>	screw in stroke limiter (instead of the transparent cover for the visual position indicator) For Ø 100 and Ø 125, actuator cover must be removed for mounting, to do this a special key is required (see page 12)

Ø 50-125 [mm]    Ø 175-225 [mm]



Max./min. Hubbegrenzung

<b>Special feature</b>	Max. & min. flow setting (upper and lower stroke limitation) with visual position indicator
<b>Mounting</b>	Actuator cover must be removed for mounting, to do this a special key is required (see page 12)

Dimensions [mm]

**Actuator size 40**

**Actuator size 50-225**

Actuator size Ø	B	H	Actuator size Ø	Ø D	H
50, 63, 80	SW 17	40	50, 63, 80	39	50
100, 125	SW 19	55	100, 125	53	73
175, 225	SW24	97	175, 225	86	172

Ordering chart

**Max. stroke limitation without visual position indicator**  
(single version, only for valves with circuit function A, normally closed.)

Actuator size Ø [mm]	Item no.
40 (incl. actuator cover)	672 114
50-80	637 866
100	637 867
125	637 868
175-225	655 600

**Min./Max. stroke limitation with visual position indicator**

Actuator size Ø [mm]	Item no.
50-80	636 820
100	636 821
125	640 703
175-225 (diaphragm valve)	655 631
175 (globe valve)	659 038
225 (globe valve)	659 423

Stroke limiter for stroke actuators ELEMENT valves

Ø 50 [mm]

Ø 70–130 [mm]



Technical data	
<b>Max. stroke limitation</b>	
<b>Special feature</b>	without visual position indicator (upper stroke limitation only)
<b>Mounting</b>	screw in stroke limiter (instead of the transparent cover for the visual position indicator)

Ø 50 [mm]

Ø 70–130 [mm]

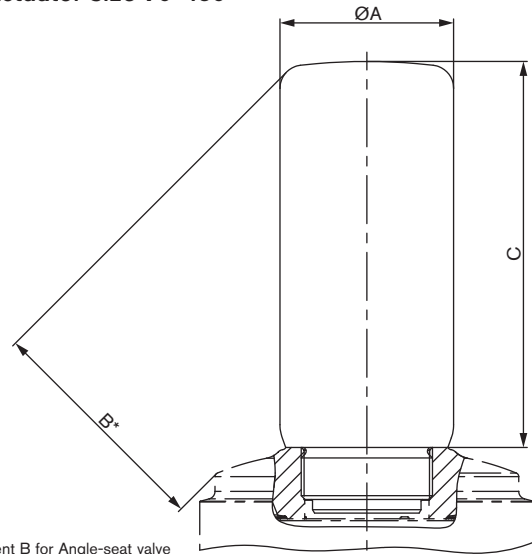
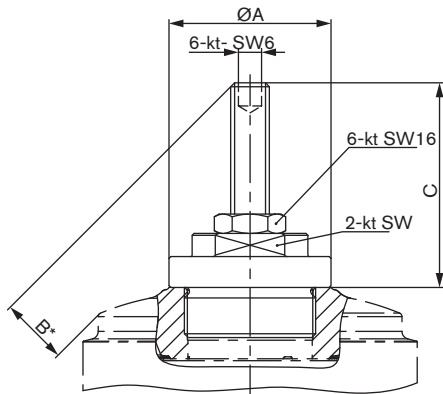


Max./min. stroke limitation	
<b>Special feature</b>	Max. & min. flow setting (upper and lower stroke limitation) with visual position indicator
<b>Mounting</b>	screw in stroke limiter (instead of the transparent cover for the visual position indicator)

Dimensions [mm]

Actuator size 50

Actuator size 70–130



\* Measurement B for Angle-seat valve

Actuator	ØA	B	C	2-kt SW
D	20	15	40	17
M		18		
N	42	16	53	24
P		2		

Actuator	ØA	B	C
D	27	38	66
M		61	
N	45	59	100
P		45	

Ordering chart

**Max. stroke limitation without visual position indicator**  
(single version, only for valve with circuit function A, normally closed by spring action.)

Actuator size Ø [mm]	Item no.
50	677 535
70–130	673 962

**Min./Max. stroke limitation with visual position indicator**

Actuator size Ø [mm]	Item no.
50	673 950
70–130	673 951

## Manual override for stroke actuator (with visual position indicator)



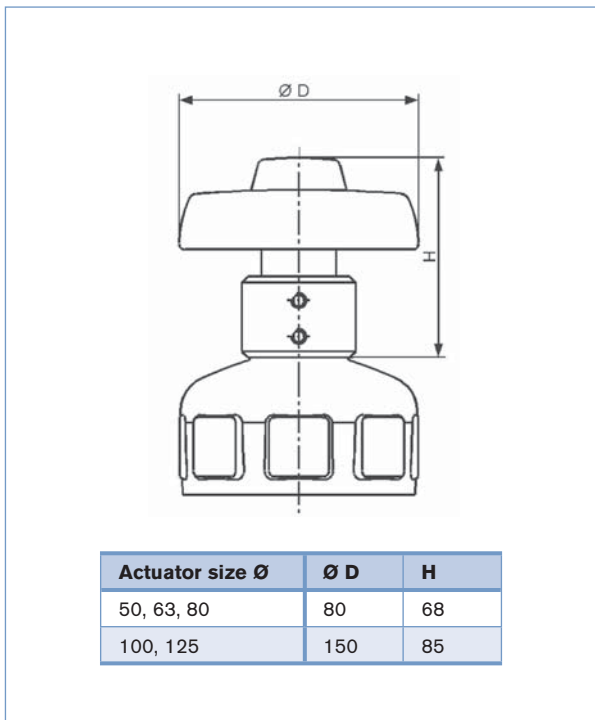
Manual override with visual position indicator for manual valves when pressure drops

### Technical data

#### Version

Manual opening (only for control function A, i.e. unpressurised closed)

### Dimensions [mm]

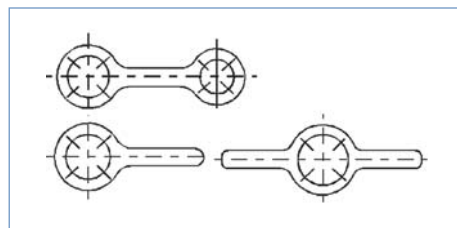


### Ordering chart (with visual position indicator)

Actuator size Ø [mm]	Item no.
50-80	636 822
100, 125	636 823

### Ordering chart for mounting key (for actuator cover)

Actuator size Ø [mm]	Item no.
40 and 50	639 175
63	639 170
80	639 171
100	639 172
125	639 173

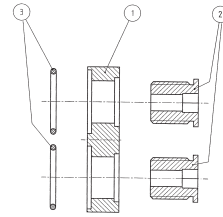


NAMUR-Adapter for pilot valve



Mounting for NAMUR-Adapter

- 1 Plate
- 2 Hollow screw
- 3 O-rings



Technical data

<b>Material</b> plate and hollow screw	Steel 1.4021 or CuZn39 Pb3 F44
<b>Seal</b> O-rings	NBR 75

Dimensions [mm]

**Version 1**  
 Namur-Adapter for **stroke actuator**  
 Ø 50 to 80 for angle seat and globe valve  
 Ø 63 to 100 for diaphragm valve  
 NAMUR adapter for **rotary actuator**  
 Ø 63 on request

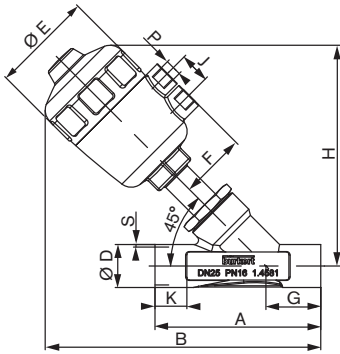
**Version 2**  
 Namur-Adapter for **stroke actuator**  
 Ø 100 and 125 for angle seat and globe valve  
 Ø 125 for diaphragm valve  
 NAMUR adapter for **rotary actuator**  
 Ø 100

Ordering chart

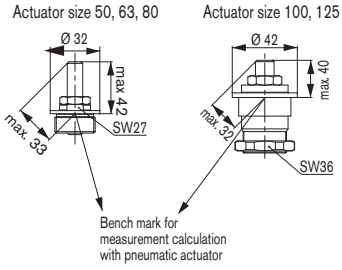
Actuator size Ø [mm]	Material	Item no.
Version 1	Stainless steel	632 974
Version 2	Stainless steel	634 275
Version 1	Brass	637 113
Version 2	Brass	637 114

Dimensions for Type 2000

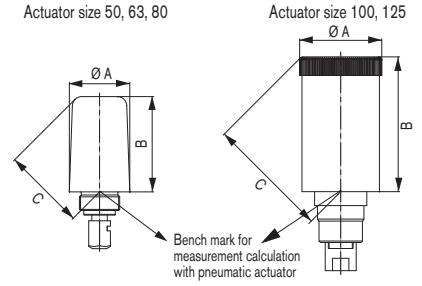
**Weld end body acc. to EN ISO1127/ ISO4200 and DIN 11850 Series 2**



**Max. Stroke limiter (single version)**

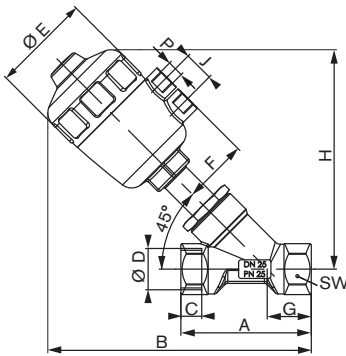


**Min/Max. Stroke-limiter**

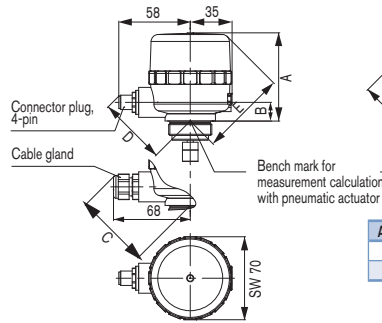


Actuator size	ØA	B	C
50, 63, 80	39	62	54
100, 125	53	87	80

**Threaded body**

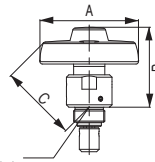


**Electrical position indicator Type 1062**



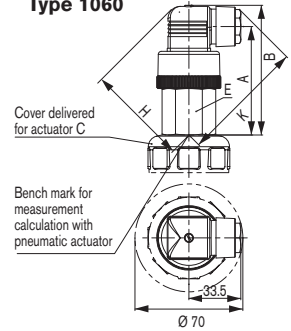
Actuator size	A	B	C	D	E
40	86	28	71	65	80
50, 63, 80	71	13	60	55	70
100, 125	74	16	62	57	72

**Hand wheel**



Actuator size	ØA	B	C
50, 63, 80	80	66.7	64.9
100, 125	150	83.9	96.3

**Optical position indicator with electrical feedback Type 1060**



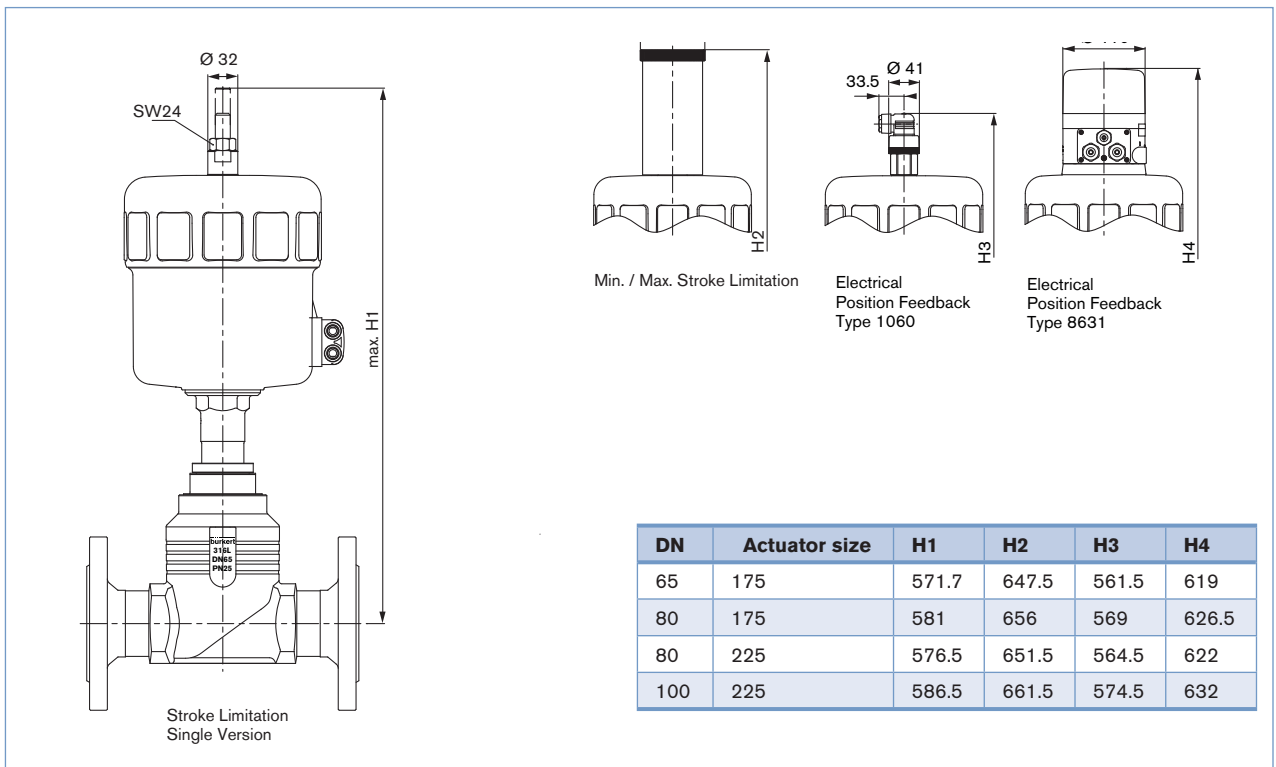
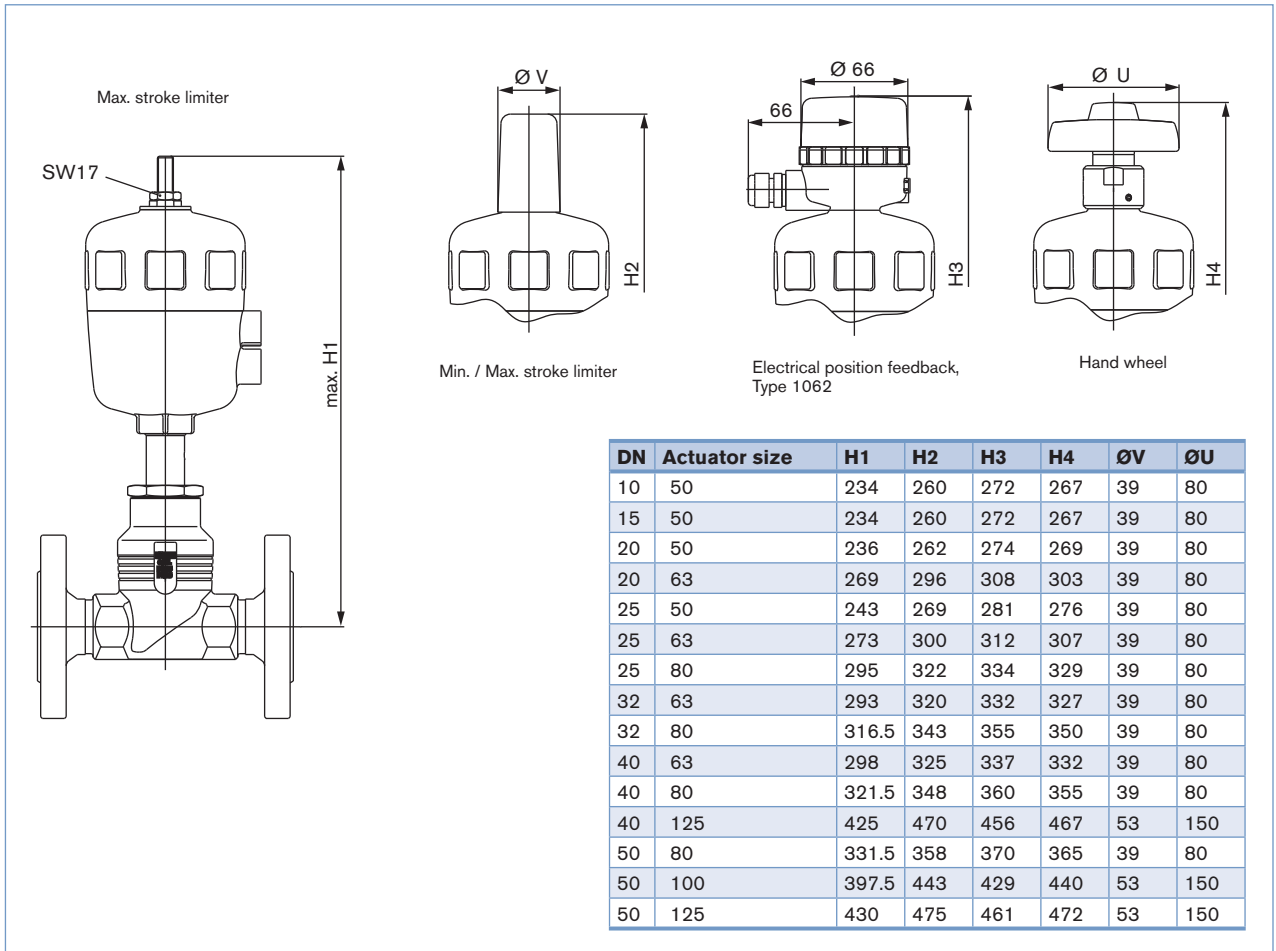
Actuator size	A	B	E	H	K
40	70	84	SW30	65	80
50, 63, 80	44	58.5	SW32	47	62
100, 125	44	58.5	SW41	47	62

Dimensions for Type 2000 (continued)

All bodies						All weld end bodies				Weld end bodies acc. to EN ISO 1127/ISO 4200			Weld end bodies acc. to DIN11850 Series 2			Threaded body						
DN	Actuator size Ø	Ø E	F	P	J	B	H	A	G	K	Ø D	S	K	Ø D	S	B	H	A	C	ØD	G	SW
13	40	53	33	G 1/8	16.5	-	-	-	-	-	-	-	-	-	-	137	113	65	12	G 3/8	24	27
	40	53	33	G 1/8	16.5	-	-	-	-	-	-	-	-	-	-	146	115	85	14	G 1/2	31	27
	50	64	44	G 1/4	24	-	-	-	-	-	-	-	-	-	-	170	140	-	-	-	-	-
	63	80	52	G 1/4	24	-	-	-	-	-	-	-	-	-	-	203	172	-	-	-	-	-
	80	101	60	G 1/4	24	-	-	-	-	-	-	-	-	-	-	224	193	-	-	-	-	-
15	40	53	33	G 1/8	16.5	148	114	100	34	20	21.3	1.6	20	19	1.5	-	-	-	-	-	-	-
	50	64	44	G 1/4	24	174	137	-	-	-	-	-	-	-	-	-	-	-	-	-	-	-
	63	80	52	G 1/4	24	-	-	-	-	-	-	-	-	-	-	-	-	-	-	-	-	-
	80	101	60	G 1/4	24	-	-	-	-	-	-	-	-	-	-	-	-	-	-	-	-	-
20	40	53	33	G 1/8	16.5	158	119	115	39	25	26.9	1.6	25	23	1.5	155	120	95	16	G 3/4	35	32
	50	64	44	G 1/4	24	181	145	-	-	-	-	-	-	-	-	179	144	-	-	-	-	-
	63	80	52	G 1/4	24	209	170	-	-	-	-	-	-	-	-	206	171	-	-	-	-	-
	80	101	60	G 1/4	24	-	-	-	-	-	-	-	-	-	-	225	190	-	-	-	-	-
25	40	53	33	G 1/8	16.5	-	-	-	-	-	-	-	-	-	-	160	126	105	18	G 1	35.5	41
	50	64	44	G 1/4	24	191	148	130	43	30	33.7	2	30	29	1.5	188	152	-	-	-	-	-
	63	80	52	G 1/4	24	217	173	-	-	-	-	-	-	-	-	213	177	-	-	-	-	-
	80	101	60	G 1/4	24	238	195	-	-	-	-	-	-	-	-	234	198	-	-	-	-	-
32	63	80	52	G 1/4	24	230	186	145	45	30	42.4	2	30	35	1.5	224	183	120	20	G 1 1/4	41	50
	80	101	60	G 1/4	24	259	210	-	-	-	-	-	-	-	-	246	205	-	-	-	-	-
	100	127	73	G 1/4	30	301	256	-	-	-	-	-	-	-	-	296	255	-	-	-	-	-
40	63	80	52	G 1/4	24	238	189	160	49	30	48.3	2	30	41	1.5	227.3	188	130	22	G 1 1/2	40	55
	80	101	60	G 1/4	24	258	213	-	-	-	-	-	-	-	-	249	209	-	-	-	-	-
	100	127	73	G 1/4	30	309	260	-	-	-	-	-	-	-	-	299.3	260	-	-	-	-	-
	125	158	86	G 1/4	30	337	288	-	-	-	-	-	-	-	-	329	289	-	-	-	-	-
50	63	80	52	G 1/4	24	255	205	175	50	30	60.3	2.6	30	53	1.5	249	204	150	24	G 2	45	70
	80	101	60	G 1/4	24	275	225	-	-	-	-	-	-	-	-	270	225	-	-	-	-	-
	100	127	73	G 1/4	30	327	271	-	-	-	-	-	-	-	-	317	272	-	-	-	-	-
	125	158	86	G 1/4	30	351	301	-	-	-	-	-	-	-	-	347	302	-	-	-	-	-
65	63	80	52	G 1/4	24	271	221	210	50	26	76.1	2.3	26	70	2.0	275	218	185	26	G 2 1/2	57	85
	80	101	60	G 1/4	24	292	242	-	-	-	-	-	-	-	-	296	239	-	-	-	-	-
	100	127	73	G 1/4	30	340	290	-	-	-	-	-	-	-	-	344	287	-	-	-	-	-
	125	158	86	G 1/4	30	370	320	-	-	-	-	-	-	-	-	374	317	-	-	-	-	-

DTS 1000102756 EN Version: Q Status: RL (released | freigegeben | valide) printed: 19.01.2015

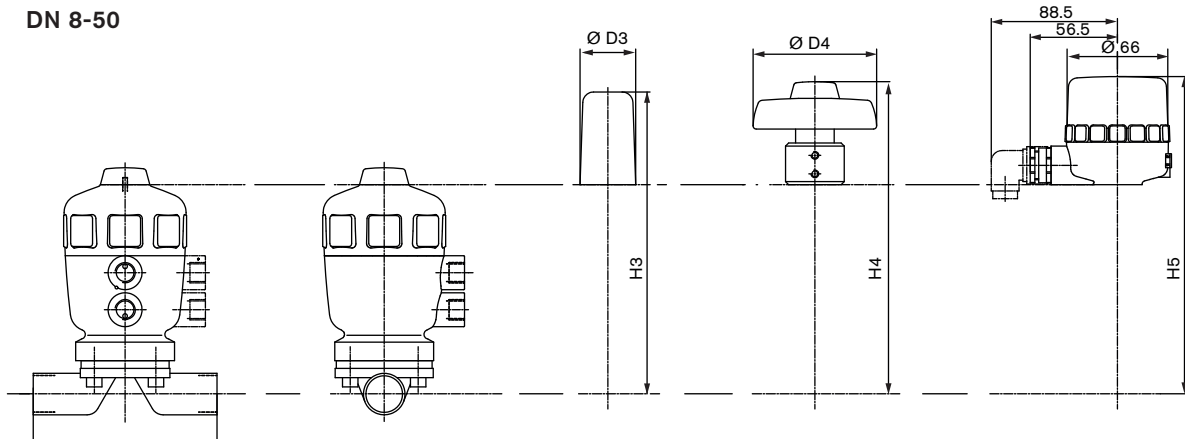
Dimensions for Type 2012





Dimensions for Type 2030

DN 8-50



Standard version  
body with weld end

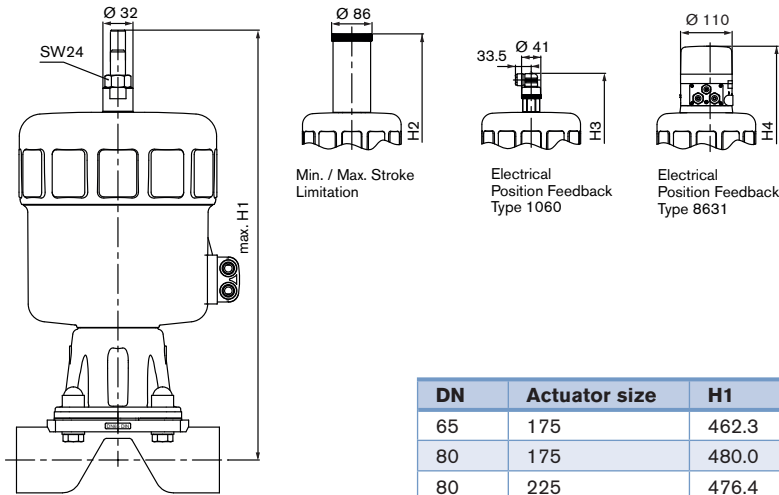
Options: Stroke limiter

Manual override

Electrical position feedback,  
Type 1062

DN	Act. size (Ø)	ØD3	ØD4	H3	H4	H5
8	40					
15	50	39	80	172	178	181
15	63	39	80	189	195	198
20	63	39	80	198	204	207
20	80	39	80	224	230	233
25	63	39	80	207	213	216
25	80	39	80	227	233	236
32	100	53	150	303	300	286
40	100	53	150	308	305	291
40	125	53	150	347	344	330
50	100	53	150	317	314	300
50	125	53	150	351	348	334

DN 65-100



Stroke Limitation  
Single Version

Min. / Max. Stroke  
Limitation

Electrical  
Position Feedback  
Type 1060

Electrical  
Position Feedback  
Type 8631

DN	Actuator size	H1	H2	H3	H4
65	175	462.3	543.5	457.6	514.1
80	175	480.0	555.0	468.0	525.5
80	225	476.4	550.7	463.7	521.2
100	225	486.9	563.5	476.5	534.0

For valve dimensions please see separate Datasheets

To find your nearest Bürkert office, click on the orange box →

[www.burkert.com](http://www.burkert.com)

In case of special application conditions,  
please consult for advice.

Subject to alteration.  
© Christian Bürkert GmbH & Co. KG

1505/17\_EU-en\_00895045