



bürkert
FLUID CONTROL SYSTEMS

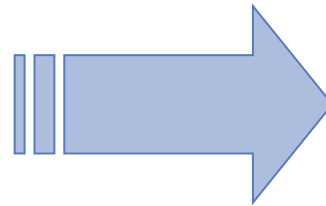
Replacement Positioner SideControl Typ 1067

August 2009

Replacement SideControl type 1067



Replacement



Replacement SideControl type 1067

NAMUR IEC 534 / VDI/VDE 3845

Improvements

1067



8792 / 8793



sensor principle	rotary potentiometer ...93°	rotary potentiometer ...180° , increased accuracy
display	single-line LCD	graphic 128x64 COG, backlight
position indicator	without	mechanical
material	aluminium, plastic coated	aluminium plastic coated, ss
IP rating	IP65	IP65/67
input signal process value	4...20mA	4...20mA, Pt100, frequency
analog feedback, functionality	4...20mA (option), position	0...10V, 0/4...20mA, position, setpoint
initiators for end position feedback	without	0...2 3-wire inductive switches (option)
communication	without	Profibus DPV1 (option)
process controller, tune function	process controller / P-Tune	process controller / advanced P-Tune
circuit function	single or double (option)	single and double acting always
air flow rate	14l/min / 35l/min single/double 70l/min single	...150l _N /min
Ex certification	without	ATEX Zone 2/22 (in preparation)

Replacement SideControl type 1067

NAMUR IEC 534 / VDI/VDE 3845

3rd party actuators /
NAMUR IEC 534

Bürkert

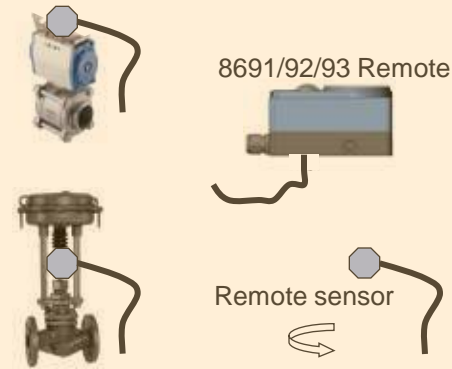
27xx

ELEMENT

direct mounting



remote mounting



Remote sensor



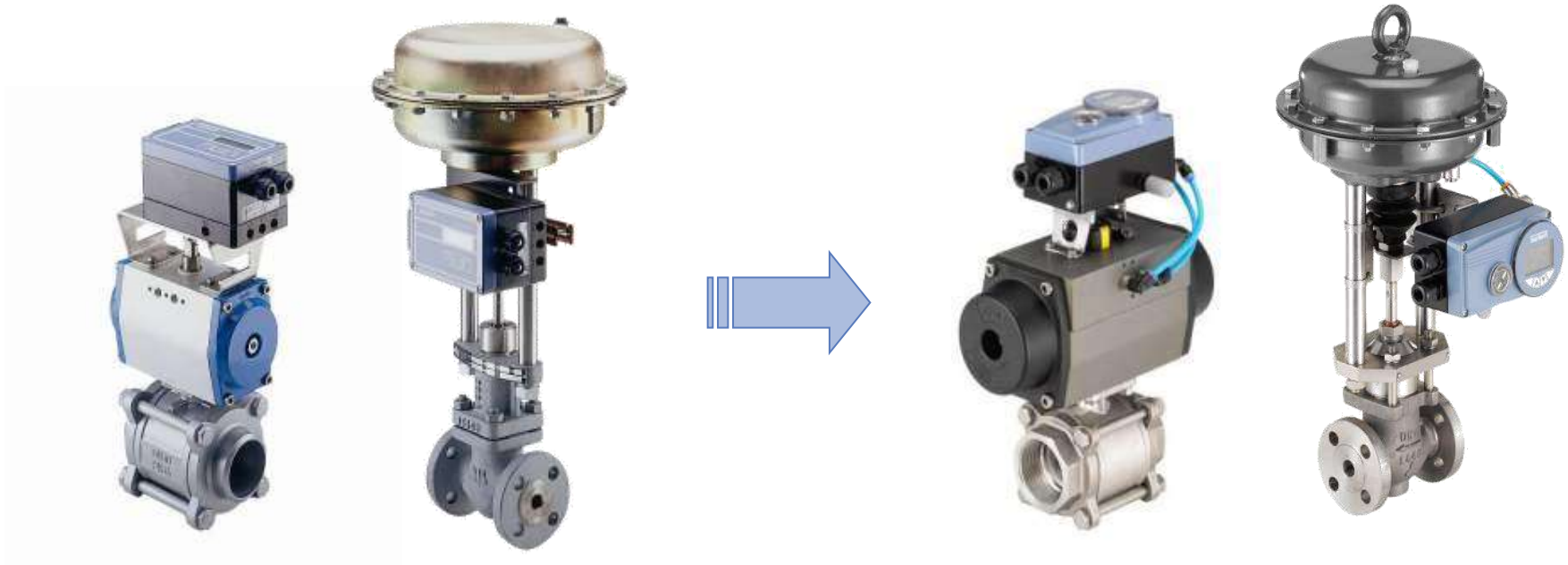
Remote sensor



Replacement SideControl type 1067

NAMUR IEC 534 / VDI/VDE 3845

Changeover of customers until **end of 2009**



Replacement SideControl type 1067

NAMUR IEC 534 / VDI/VDE 3845

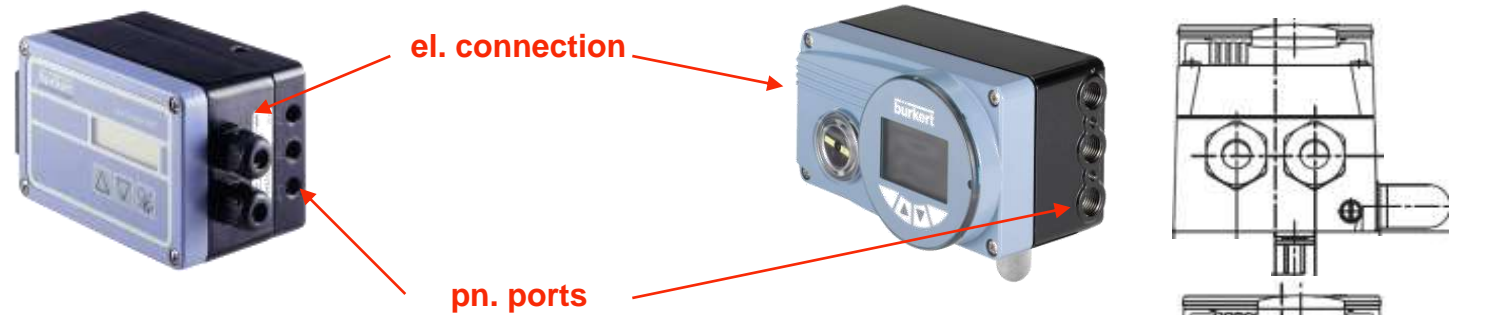
dimensions



Replacement SideControl type 1067

NAMUR IEC 534 / VDI/VDE 3845

electrical connection
pneumatic ports

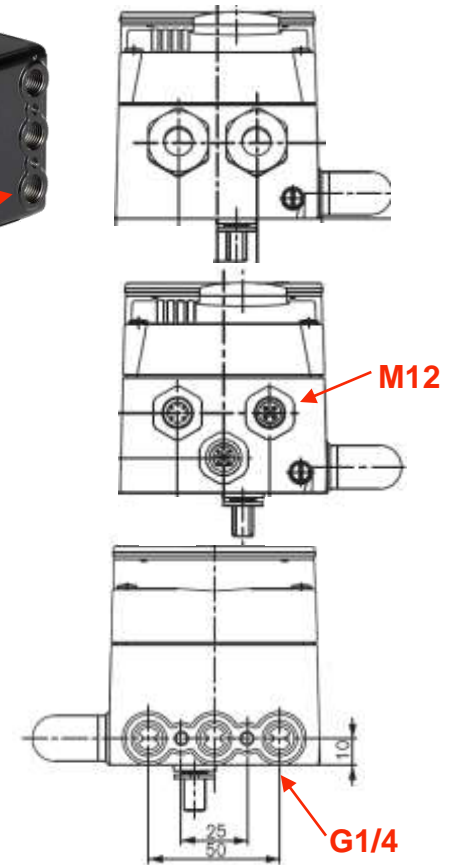
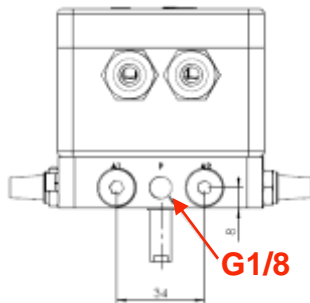


el. connectors separated from the pn. ports

- better access and bigger cable gland standard 2xM20 for cable diameter up to 10mm
- M12 connectors as option

pn. ports G1/4 compared to G1/8 at 1067

- Better access for hose mounting
- More conventional port standard G1/4
- integrated filter



Replacement SideControl type 1067

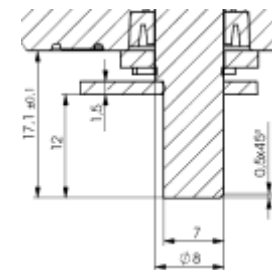
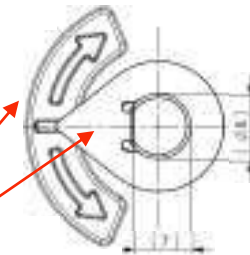
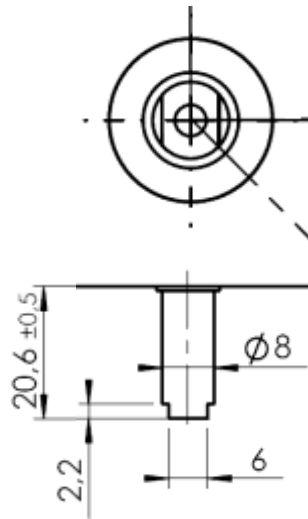
NAMUR IEC 534 / VDI/VDE 3845

position sensor shaft



new, more conventional sensor shaft dimensions

- interchangeability with competitors
- identical with SideControl 8635
- locator and marking to support mounting



Replacement SideControl type 1067

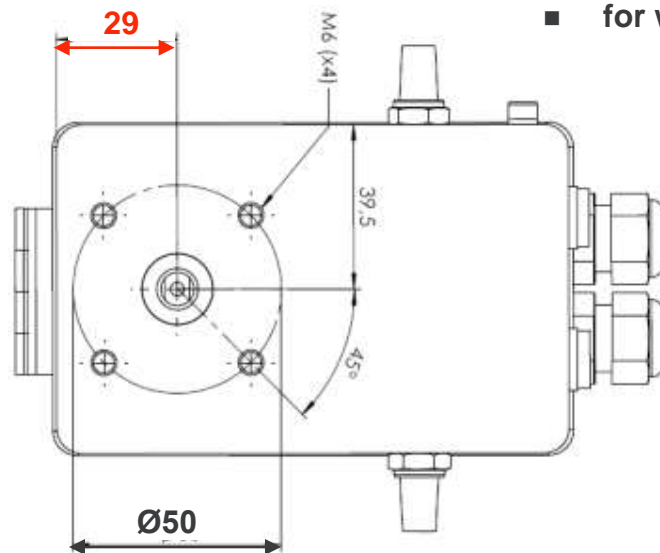
NAMUR IEC 534 / VDI/VDE 3845

mounting

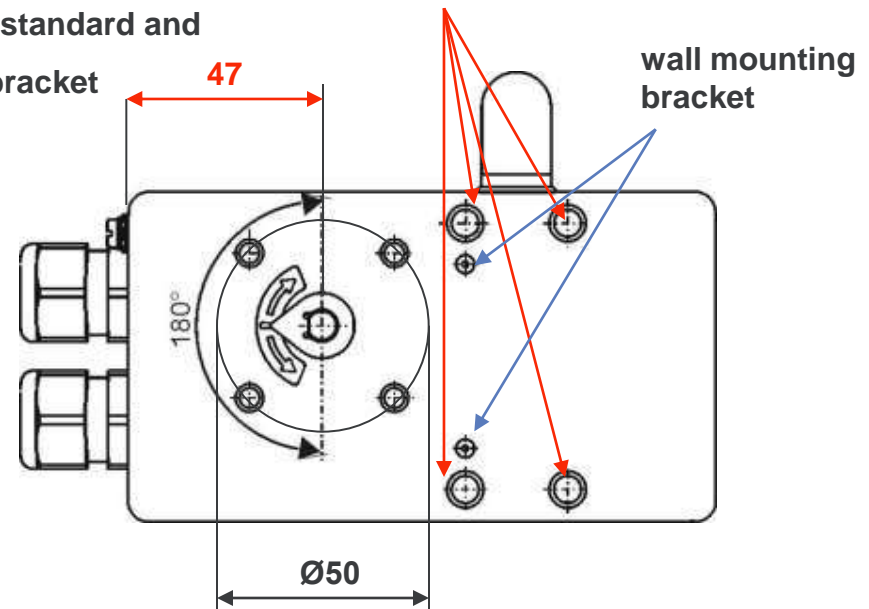


standard attachment in acc. to IEC 534-6 and VDI/VDE 3845 (NAMUR)

- including Siemens standard and
- for wall mounting bracket



Siemens Sipart PS2



Replacement SideControl type 1067

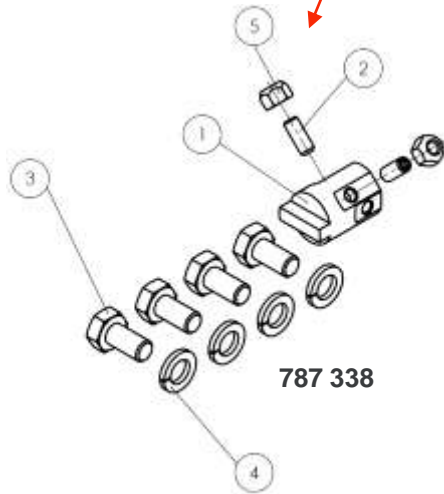
NAMUR IEC 534 / VDI/VDE 3845

adapter and mounting kits

rotary actuator in acc. to VDI/VDE 3845



- new adapter kit **787 338** replaces 420 152 for 1067; identical for 8635
- New universal bracket **770 294**; suitable for all different actuator sizes



787 338

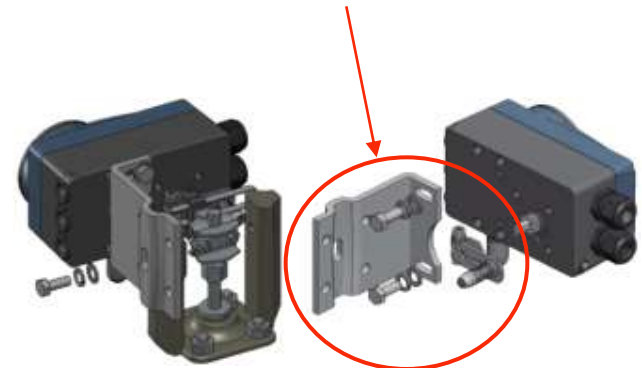


770 294



linear actuator in acc. to IEC 534-6

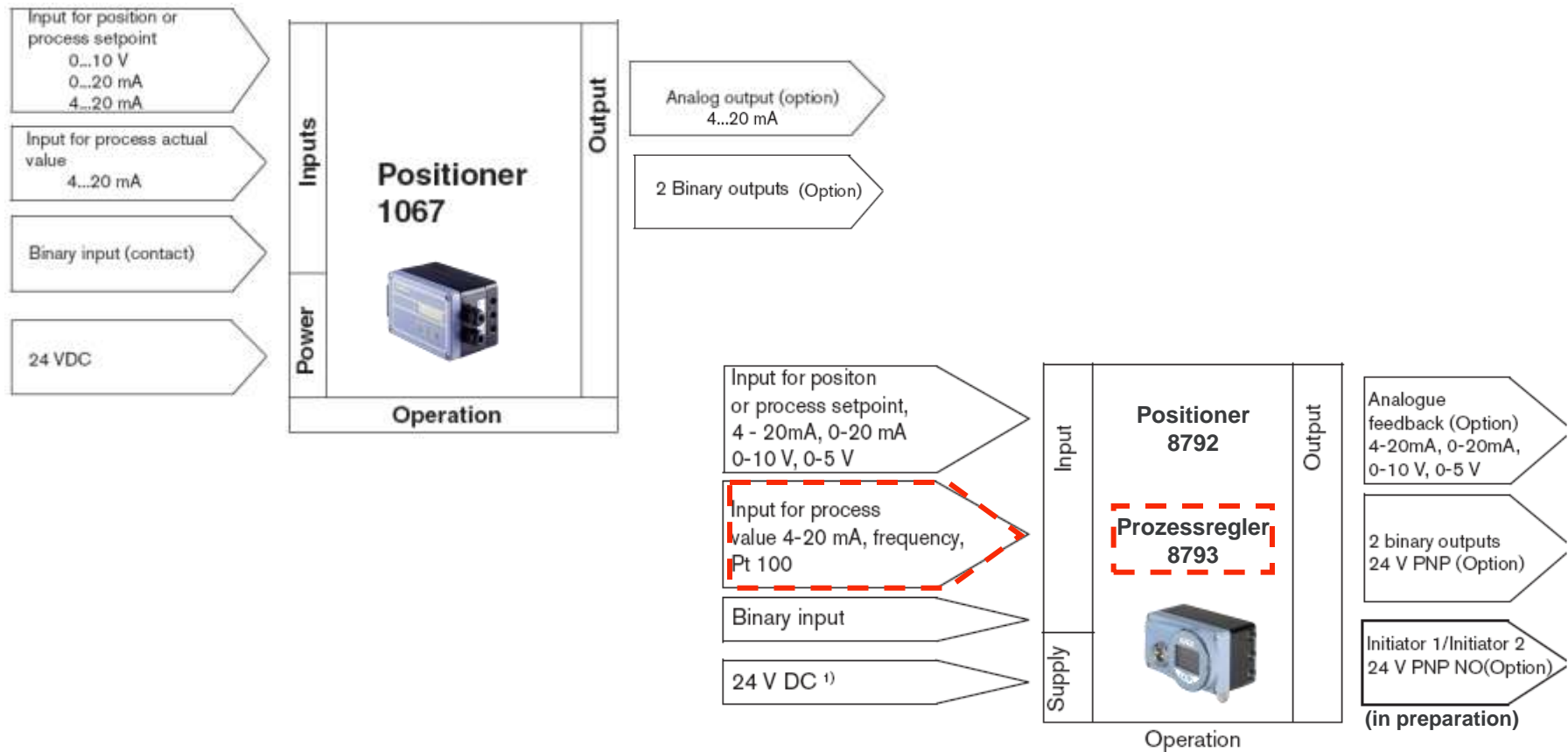
- adapter kit **787 215** for linear actuators; same as 8635



Replacement SideControl type 1067

NAMUR IEC 534 / VDI/VDE 3845

electrical interfaces



Replacement SideControl type 1067

NAMUR IEC 534 / VDI/VDE 3845

differences 8792 / 8793 vs. 1067

- process controller used to be a additional software function of 1067, now is a own type SideControl 8793
 - For replacement please clarify application with your customer !
- analog feedback option can´t be retrofitted, it´s a different ID.-no. Of the device
 - much cheaper, but effects the stock keeping !

- for replacing 1067 in a existing application the specific conditions in regards to installation, control function and electrical signals have to be discussed with the customer to choose the replacing it.-no.
- just choosing replacement devices from the attached templates is not sufficient

Replacement SideControl type 1067

NAMUR IEC 534 / VDI/VDE 3845

decision - making



process controller required ?

- no → 8792 positioner + new adapter 787 338
- yes → 8793 process controller + new adapter 787 338



process controller required ?

- no → 8792 positioner + new adapter 787 215
- yes → 8793 process controller + new adapter 787 215



Replacement SideControl type 1067

NAMUR IEC 534 / VDI/VDE 3845

replacements standard program

1067



8792
positioner

8793
process controller



416947	1067-NMUR-IX-A-22-R-00-0-0		206 610	206 593	
416948	1067-NMUR-IX-A-22-R-22-A-0		206 610	206 593	
444210	1067-NMUR-IX-A-06-R-06-A-0		206 610	206 593	
420093	1067-NMUR-IX-A-22-R-22-R-0		206 610	206 593	
447787	1067-NMUR-IX-A-06-R-00-0-0		206 610	206 593	
559283	1067-NMUR-IX-A-22-R-22-A-0	MN11	binary outputs	206 611	206 594
428629	1067-NMUR-IX-A-22-R-00-0-0	MT35	analog output	206 611	206 594
428532	1067-NMUR-IX-A-22-R-22-A-0	MT35	analog output	206 611	206 594
428630	1067-NMUR-IX-A-22-R-22-R-0	MT35	analog output	206 611	206 594
550745	1067-NMUR-IX-A-06-R-06-A-0	MT35	analog output	206 611	206 594

(active items in 2009)

Replacement SideControl type 1067

NAMUR IEC 534 / VDI/VDE 3845

replacements customised program via E&C



1067

1067

551863	1067-NMUR-IX-A-06-R-06-A-0 JF01+NA02	553341	1067-NMUR-IX-A-22-R-22-A-0 T091
558784	1067-NMUR-IX-A-22-R-22-A-0 T0DN	553601	1067-NMUR-IX-A-06-R-00-0-0 AF32+KN36
420906	1067-NMUR-IX-A-22-R-22-R-0 KP13	555174	1067-NMUR-IX-A-22-R-00-0-0 AF32+KN36
550727	1067-NMUR-IX-A-22-R-22-A-0 T054	558291	1067-NMUR-IX-A-22-R-00-0-0 KX08+T0C8
558783	1067-NMUR-IX-A-22-R-00-0-0 T0DN	558292	1067-NMUR-IX-A-22-R-00-0-0 KX08
447692	1067-NMUR-IX-A-06-R-06-A-0 KP29+T00K	558399	1067-NMUR-IX-A-06-R-06-R-0 T0CE
560422	1067-NMUR-IX-A-22-R-22-A-0 KX10	559280	1067-NMUR-IX-A-09-R-00-0-0 KX08+T0C
550592	1067-NMUR-IX-A-22-R-22-A-0 T03G	559281	1067-NMUR-IX-A-09-R-00-0-0 KX08
555194	1067-NMUR-IX-A-22-R-22-R-0 AF32+KN36	59238	1067-NMUR-EX-A-22-R-22-A-0 T38+T01T+T0DN
447693	1067-NMUR-IX-A-22-R-22-A-0 KP29+T00K	433484	1067-NMUR-EX-A-22-R-22-A-0 MT38+T01T
550702	1067-NMUR-IX-A-22-R-22-A-0 T051		

(active items in 2009)

Replacement SideControl type 1067

NAMUR IEC 534 / VDI/VDE 3845

3rd party actuators /
NAMUR IEC 534

Bürkert

27xx

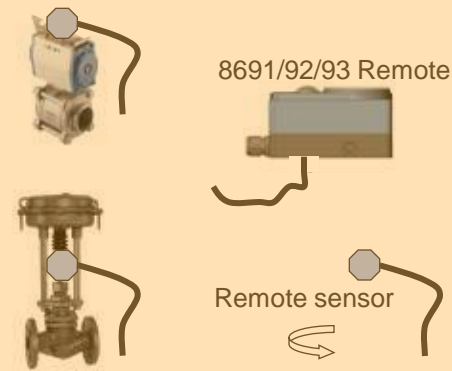
ELEMENT

direct mounting



remote mounting

Dec. 2009



Remote sensor

8691/92/93 Remote



Remote sensor

8691/92/93 Remote

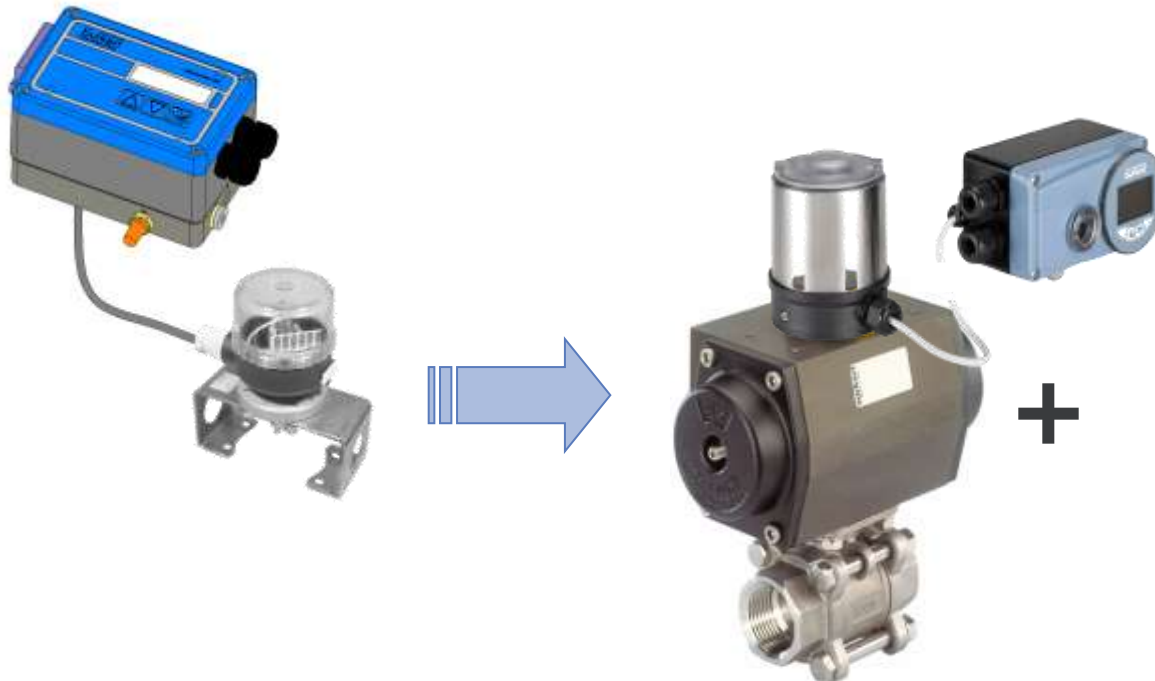


Replacement SideControl type 1067

NAMUR IEC 534 / VDI/VDE 3845

remote-version (in preparation for Dec. 2009)

Changeover of customers until **end of 1st quarter 2010**



Remote sensor*



Mounting bracket
It.-No. 675 715*



C-rail mounting kit
It.-No. 675 702*

*: Dec. 2009

Replacement SideControl type 1067

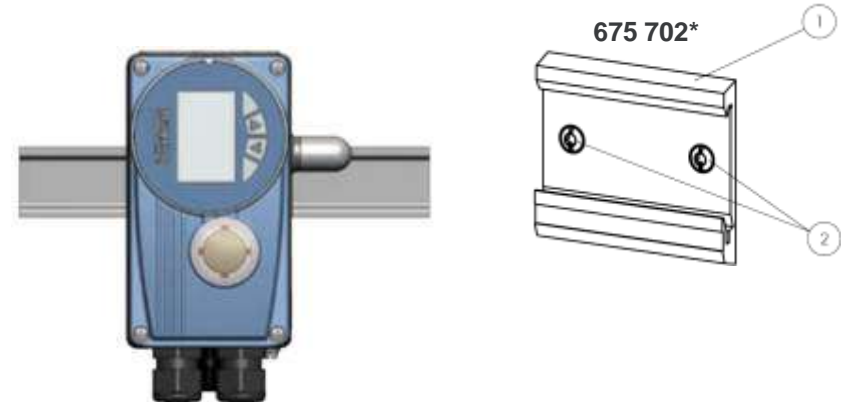
NAMUR IEC 534 / VDI/VDE 3845

remote-version (in preparation for Dec. 2009)
assembly kits



Assembly bracket for wall
mounting 675 715*

DIN rail assembly kit 675 702*



*: Dec. 2009



bürkert
FLUID CONTROL SYSTEMS

Thanks!

Sebastian Kundel | Segment Management