



Type 3232 can be combined with...



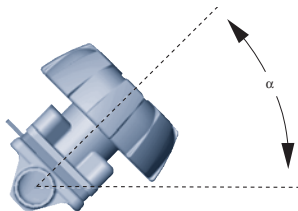
Type 2030/31

Version with
pneumatic actuator

Manually-operated diaphragm valves in compact model consisting of plastic bodies, diaphragm seal, PPS bonnet and PPS handwheel. The diaphragm is both a switching element and a seal element towards the outside, and is easily replaced. The flow can be continually adjusted with the handwheel. The valves have no dead volume and can be mounted to be self-draining.

Installation for self-draining operation

$\alpha = 15$ to 30° plus 3° to 5° inclination to pipe axis



2/2-way Diaphragm Valve with plastic body, manually operated, DN 15-50

- Application with aggressive media
- Flow-optimised body
- Zero dead volume
- Removable radial true union and spigot connections
- Self-draining

Technical data

Orifice (diaphragm size)	DN 15 - 50 (65-100 on request)
Body materials	PVC-U, PP, PVDF
Actuator material	PPS manual actuator and bonnet
Seal material	EPDM, PTFE/EPDM (FKM on request)
Medium	Neutral or aggressive medium
Viscosity	Up to viscous
Medium temperature ¹⁾	See chart on p. 2
Ambient temperature	-10 to +60 °C
Port connections	DN 15-50: True union and spigot connections
Installation	As required
Installation for self draining	Tilted 5 to 30° to the horizontal and Inclined 3 to 5° to the flow direction (see drawing)
Options (on request)	Locking function

¹⁾ The permissible nominal pressure falls with increasing medium temperature (see Pressure-temperature chart)

Ordering chart for valves (other versions on request)

All bonnets and handwheels are manufactured from PPS

Port connection [mm]	Orifice Diaphragm size [mm]	Orifice Diaphragm size [inch]	Kv value water [m ³ /h]	Pressure range at +20°C [bar]	Item no. EPDM diaphragm	Item no. EPDM/PTFE diaphragm
Body in PVC						
True union connection						
20	15	1/2	3.5	0 - 10	262 360	144 764
25	20	3/4	7.2	0 - 10	262 799	144 765
32	25	1	12.5	0 - 10	262 800	144 766
40	32	1 1/4	19.0	0 - 10	262 801	144 767
50	40	1 1/2	28.0	0 - 10	262 802	144 768
63	50	2	40.0	0 - 7	262 803	144 769
Body in PP						
True union connection						
20	15	1/2	3.5	0 - 10	144 782	144 788
25	20	3/4	7.2	0 - 10	144 783	144 789
32	25	1	12.5	0 - 10	144 784	144 790
40	32	1 1/4	19.0	0 - 10	144 785	144 791
50	40	1 1/2	28.0	0 - 10	144 786	144 792
63	50	2	40.0	0 - 7	144 787	144 793
Spigot connection						
20	15	1/2	3.5	0 - 10	144 794	144 800
25	20	3/4	7.2	0 - 10	144 795	144 801
32	25	1	12.5	0 - 10	144 796	144 802
40	32	1 1/4	19.0	0 - 10	144 797	144 803
50	40	1 1/2	28.0	0 - 10	144 798	144 804
63	50	2	40.0	0 - 7	144 799	144 805
Body in PVDF						
True union connection						
20	15	1/2	3.5	0 - 10	144 806	144 812
25	20	3/4	7.2	0 - 10	144 807	144 813
32	25	1	12.5	0 - 10	144 808	144 814
40	32	1 1/4	19.0	0 - 10	144 809	144 815
50	40	1 1/2	28.0	0 - 10	144 810	144 816
63	50	2	40.0	0 - 7	144 811	144 817
Spigot connection						
20	15	1/2	3.5	0 - 10	144 818	144 824
25	20	3/4	7.2	0 - 10	144 819	144 825
32	25	1	12.5	0 - 10	144 820	144 826
40	32	1 1/4	19.0	0 - 10	144 821	144 827
50	40	1 1/2	28.0	0 - 10	144 822	144 828
63	50	2	40.0	0 - 7	144 823	144 829

Note: The permissible nominal pressure falls with increasing medium temperature (see Pressure-temperature chart next page).

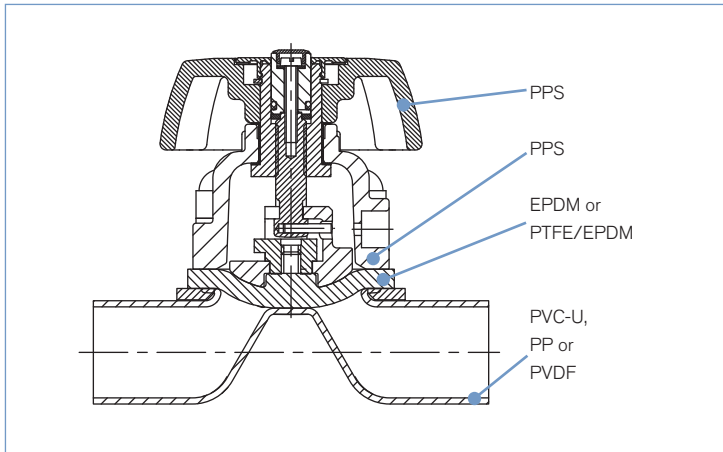
i Further versions on request

 **Material**
Sealing: FKM

 **Port connection**
– Orifice 65-100
– PVC housing spigot

 **Additional**
Versions with locking function

Materials



Approvals

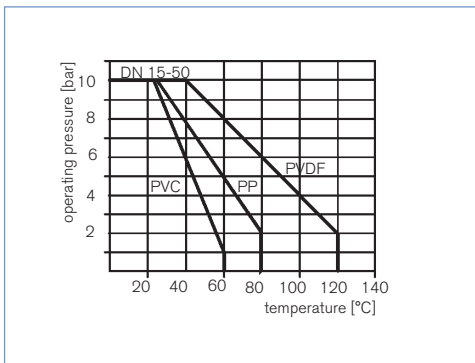
Suitable for foodstuffs



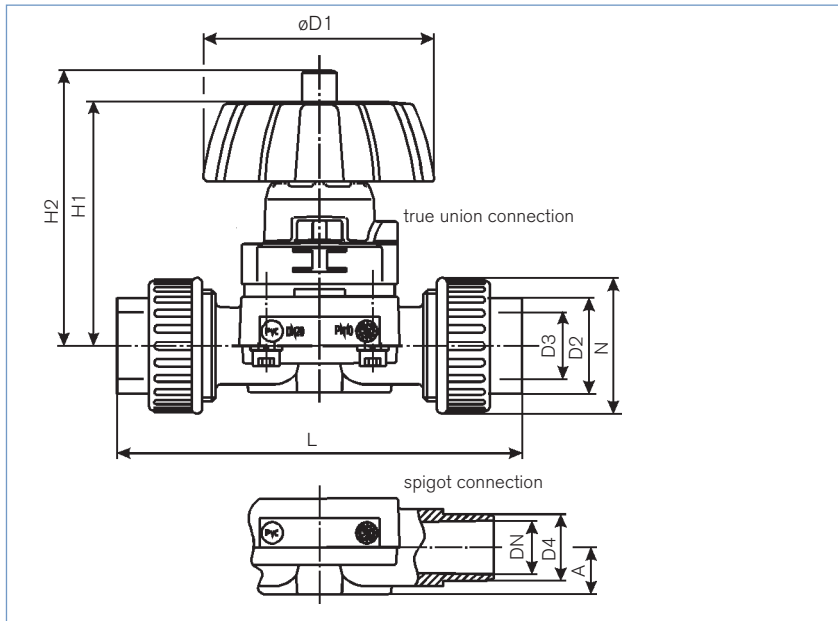
- The composition of the EPDM and PTFE/EPDM diaphragms corresponds to the *Code of Federal Regulations*, published by the *FDA* (Food and Drug Administration, USA).

Medium temperature

Pressure-temperature compatibility chart



Dimensions [mm]



All versions Orifice [mm] (diaphragm size)	All versions			True union connection				Spigot connection		
	$\varnothing D1$	H1	H2	D2	D3	L	N	A	D4	L
15	86	84	92	28	20	128	41	14	20	124
20	86	92	102	36	25	152	51	17.5	25	144
25	86	96	108	42	32	166	58	21	32	154
32	114	124	139	53	40	192	72	25.5	40	174
40	114	130	149	59	50	222	80	32.5	50	194
50	114	145	170	74	63	266	100	39	63	224

To find your nearest Bürkert facility, click on the orange box →

www.burkert.comIn case of special application conditions,
please consult for advice.Subject to alteration.
© Christian Bürkert GmbH & Co. KG

1403/9_EU-en_00891912