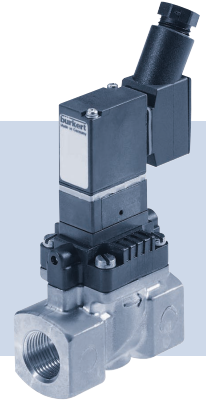


Type 6212

2/2-way solenoid valve
2/2-Wege Ventil
Electrovanne 2/2 voies



We reserve the right to make technical changes without notice.

Technische Änderungen vorbehalten.

Sous réserve de modifications techniques.

www.burkert.com

© 2009 Bürkert Werke GmbH

Operating Instructions 1001/16_EU-ml_00800598 / Original DE

Operating Instructions

Bedienungsanleitung
Manuel d'utilisation

1. OPERATING INSTRUCTIONS

The operating instructions describe the entire life cycle of the device. Keep these instructions in a location which is easily accessible to every user and make these instructions available to every new owner of the device.

The operating instructions contain important safety information!

Failure to observe these instructions may result in hazardous situations.

- The operating instructions must be read and understood.

2. SYMBOLS

The following symbols are used in these instructions.

DANGER!

Warns of an immediate danger!

- Failure to observe the warning may result in a fatal or serious injury.

WARNING!

Warns of a potentially dangerous situation!

- Failure to observe the warning may result in a serious or fatal injury.


CAUTION!

Warns of a possible danger!

- Failure to observe this warning may result in a medium or minor injury.

NOTE!

Warns of damage to property!

-  Important tips and recommendations.

→ designates a procedure which you must carry out.

3. AUTHORIZED USE

Non-authorized use of the solenoid valve Type 6212 may be a hazard to people, nearby equipment and the environment.

- The device is designed to control, shut off and meter neutral media up to a viscosity of 21 mm²/s.
- Provided the cable plug is connected and installed correctly, e.g. Bürkert Type 2506, the device satisfies protection class IP65 in accordance with DIN EN 60529 / IEC 60529.
- During use observe the authorized data, the operating conditions and conditions of use specified in the contract documents, on the rating plate and in the operating instructions, as described in the chapter entitled *6. Technical Data*.
- Correct transportation, correct storage and installation and careful use and maintenance are essential for reliable and faultless operation.
- Use the device only as intended.

3.1. Predictable Misuse

- The device may only be used in the explosion-protected area if an appropriate additional identification is attached to the rating plate.
- Do not put any loads on the housing (e.g. by placing objects on it or standing on it).
- Do not make any external modifications to the device housings. Do not paint the housing parts or screws.
- The solenoid coil must not be thermally insulated, as it heats up during operation. Ensure that the solenoid coil is adequately ventilated.

3.2. Restrictions

If exporting the system/device, observe any existing restrictions.

4

english

4. BASIC SAFETY INSTRUCTIONS

These safety instructions do not make allowance for any:

- Contingencies and events which may arise during the installation, operation and maintenance of the devices.
- Local safety regulations – the operator is responsible for observing these regulations, also with reference to the installation personnel.



Danger – high pressure!

- Before loosening the pipes and valves, turn off the pressure and vent the pipes.

Risk of electric shock!

- Before reaching into the device or the equipment, switch off the power supply and secure to prevent reactivation!
- Observe applicable accident prevention and safety regulations for electrical equipment!

Risk of burns/risk of fire if used for a prolonged switch-on time through hot device surface!

- Keep the device away from highly flammable substances and media and do not touch with bare hands.
- Do not thermally insulate the unit and provide adequate ventilation.

6

english

english

5

Risk of short-circuit/escape of media through leaking screw joints.

- Ensure seals are seated correctly!
- Carefully screw valve and connection lines together!



General hazardous situations.

To prevent injury, ensure that:

- The system cannot be activated unintentionally.
- Installation and repair work may be carried out by authorized technicians only and with the appropriate tools.
- After an interruption in the power supply or fluid supply, ensure that the process is restarted in a defined or controlled manner.
- The device may be operated only when in perfect condition and in consideration of the operating instructions.
- The general rules of technology apply to application planning and operation of the device.

6

english

english

7

NOTE!**Electrostatic sensitive components / modules!**

The device contains electronic components which react sensitively to electrostatic discharge (ESD). Contact with electrostatically charged persons or objects is hazardous to these components. In the worst case scenario, they will be destroyed immediately or will fail after start-up.

- Observe the requirements in accordance with EN 61340-5-1 and 5-2 to minimise or avoid the possibility of damage caused by sudden electrostatic discharge!
- Also ensure that you do not touch the electronic components when the power supply voltage is present!



Type 6212 was developed with due consideration given to accepted safety rules and is state-of-the-art. Nevertheless, dangerous situations may occur.

Failure to observe this operating manual and its operating instructions as well as unauthorized tampering with the device release us from any liability and also invalidate the warranty covering the devices and accessories!

5. GENERAL INFORMATION**5.1. Scope of Supply**

Check immediately upon receipt of the delivery that the contents are not damaged and that the type and scope agree with the delivery note and packing list.

If there are any discrepancies, please contact us immediately.

5.2. Contact Addresses**Germany**

Bürkert Fluid Control Systems
Sales Center
Chr.-Bürkert-Str. 13-17
D-74653 Ingelfingen
Tel. + 49 (0) 7940 - 10 91 111
Fax + 49 (0) 7940 - 10 91 448
E-mail: info@de.buerkert.com

International

Contact addresses can be found on the final pages of the printed operating instructions.

And also on the Internet at:

www.burkert.com → Bürkert → Company → Locations

5.3. Warranty

This document contains no promise of guarantee. Please refer to our general terms of sales and delivery. The warranty is only valid if the Type 6212 is used as intended in accordance with the specified application conditions.



The warranty extends only to defects in the Type 6212 and its components.

We accept no liability for any kind of collateral damage which could occur due to failure or malfunction of the device.

5.4. Approvals

The approval rating on the Bürkert labels concerns to Bürkert products.

Devices that carry the e1 marking have been approved by the Federal Office for Motorized Transport under the type approval number

e1*72/245*2006/96*5791*00

and will be brought into circulation with the indicated approval designation



03 5791

You can obtain an excerpt from the type approval from the address below

Bürkert Werke GmbH & Co KG
Zulassungsbeauftragter
Christian-Bürkert-Str. 13-17
D-74653 Ingelfingen

5.5. Information on the Internet

The operating instructions and data sheets for Type 6212 can be found on the Internet at:

www.burkert.com → Documentation → Type 6212

6. TECHNICAL DATA

6.1. Operating Conditions

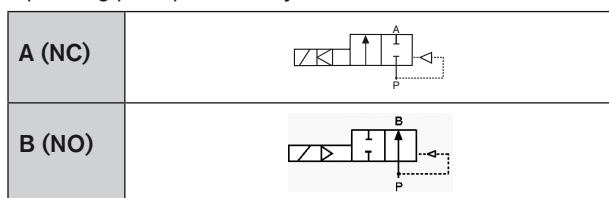


The following values* are indicated on the rating plate:

- **Voltage** (tolerance $\pm 10\%$) / **current type**
- **Coil power consumption** (active power in W - at operating temperature)
- **Pressure range**
- **Housing material** brass (MS) or stainless steel (VA)
- **Seal material** FKM, EPDM, NBR

* see description of rating plate below

Operating principle 2/2-way valve:



Protection class: IP65 in accordance with DIN EN 60529 / IEC 60529 with device socket

6.2. Application conditions

Allowable temperatures

Ambient temperature: max. $+55\text{ }^{\circ}\text{C}$

Heat-radiating energy sources must not additionally heat the unit.

Permitted medium temperature depending on seal material:

FKM	0 ... $+50\text{ }^{\circ}\text{C}$
NBR	0 ... $+50\text{ }^{\circ}\text{C}$
EPDM	-10 ... $+50\text{ }^{\circ}\text{C}$

Permitted medium depending on seal material:

Seal material	Permitted medium
FKM	Per-Solutions, oil, fat, diluted acids
NBR	Neutral medium, such as compressed air, water, hydraulic oil
EPDM	Oil and fat free medium, diluted base

Duty cycle: 100% continuous rating (operating with 24 V/DC),
40%, 20 min. intermittent duty (operating with 110-120 V/UC, 230-240 V/UC)

MAN 1000010036 ML Version: L Status: RL (released | freigegeben) printed: 20.01.2015



Important information concerning functional reliability during continuous operation!

If switched off for a long period, at least 1-2 activations per day are recommended.

Service life

High switching frequency and high pressures reduce the service life.

6.3. Conformity

CE mark conforms to EMC Directive 2004/108/EEC only if cables, plugs and sockets connected correctly.

6.4. Rating plate

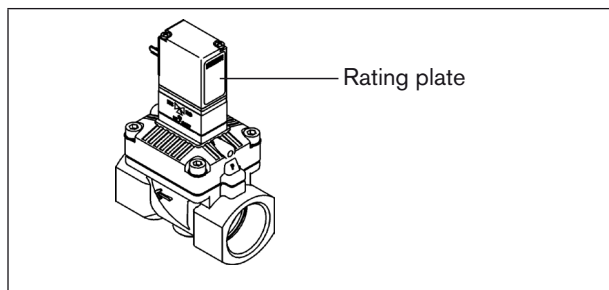


Fig. 1: Location of the rating plate

6.4.1. Description of the rating plate

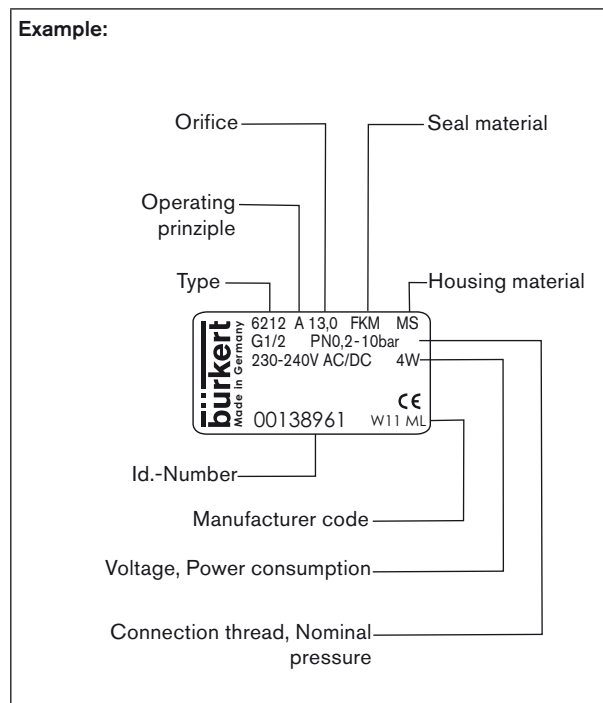


Fig. 2: Rating plate - Example

7. INSTALLATION

7.1. Safety Instructions



DANGER!

Risk of injury from high pressure in the equipment!

- Before loosening the pipes and valves, turn off the pressure and vent the pipes.

Risk of injury due to electrical shock!

- Before reaching into the device or the equipment, switch off the power supply and secure to prevent reactivation!
- Observe applicable accident prevention and safety regulations for electrical equipment!



WARNING!

Risk of injury from improper installation!

- Installation may be carried out by authorized technicians only and with the appropriate tools!

Risk of injury from unintentional activation of the system and an uncontrolled restart!

- Secure system from unintentional activation.
- Following assembly, ensure a controlled restart.

7.2. Before Installation

Installation position:

Installation can be in any position.

Preferably: Actuator upright.

→ Prior to installation check pipelines for dirt and, if required, clean.

Dirt filter: To ensure that the solenoid valve functions reliably, a dirt filter ($\leq 500 \mu\text{m}$) must be installed in front of the valve inlet.



7.3. Installation

→ Hold the device with a suitable tool (open-end wrench) on the housing and screw into the pipeline.

NOTE!

Caution risk of breakage!

- Do not use the coil as a lifting arm.

→ Observe direction of flow:
The arrow on the housing indicates the direction of flow (no function in opposite flow direction)!

MAN 1000010036 ML Version: L Status: RL (released | freigegeben) printed: 20.01.2015

7.4. Electrical connection of the cable plug



DANGER!

Risk of injury due to electrical shock!

- Before reaching into the device or the equipment, switch off the power supply and secure to prevent reactivation!
- Observe applicable accident prevention and safety regulations for electrical equipment!

If the protective conductor is not connected, there is a risk of electric shock!

- Always connect protective conductor.
- Check electrical continuity between coil and housing.



Note the voltage and current type as specified on the rating plate.

→ Tighten cable plug (for permitted types see data sheet), observing max. torque 0.4 Nm.

→ Check that seal is fitted correctly.

→ Connect protective conductor and check electrical continuity between coil and housing.

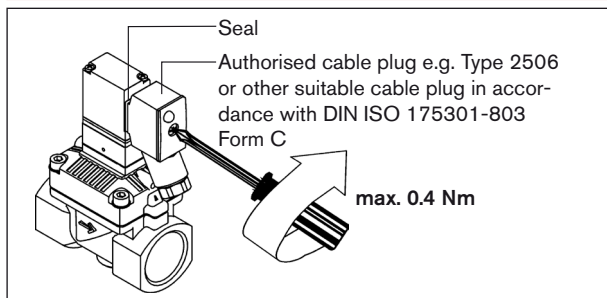


Fig. 3: Electrical connection of the cable plug

8. MAINTENANCE, TROUBLESHOOTING

8.1. Safety Instructions



DANGER!

Risk of injury from high pressure in the equipment!

- Before loosening the pipes and valves, turn off the pressure and vent the pipes.

Risk of injury due to electrical shock!

- Before reaching into the device or the equipment, switch off the power supply and secure to prevent reactivation!
- Observe applicable accident prevention and safety regulations for electrical equipment!



WARNING!

Risk of injury from improper maintenance!

- Maintenance may be carried out by authorized technicians only and with the appropriate tools!

Risk of injury from unintentional activation of the system and an uncontrolled restart!

- Secure system from unintentional activation.
- Following maintenance, ensure a controlled restart.

8.2. Installation of pilot valve



WARNING!

Escaping medium!

When a sticking screw is loosened, medium may escape.

- Do not tighten sticking screws any further.

Electric shock!

If the protective conductor is not connected, there is a risk of electric shock!

- Check protective conductor contact after installing the coil

NOTE!

If the tightening torque is too great, the device may be damaged!

- Observe the maximum tightening torque of the screws!

Device will be damaged if the wrong tools are used!

- Always use a right tools to tighten screws. If other tools are used (e.g. pliers), the device may be damaged.

MAN 1000010036 ML Version: L Status: RL (released | freigegeben) printed: 20.01.2015

20

english

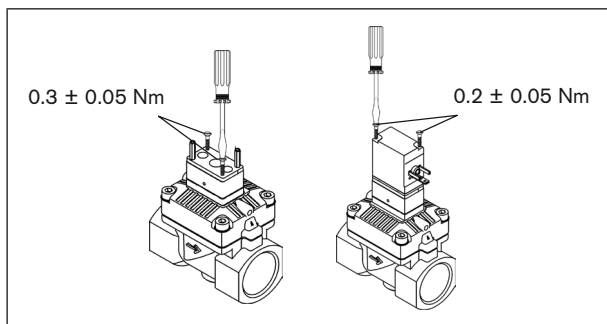


Fig. 4: Installation of pilot valve

- Attach pilot valve to Armature:
Tighten the screws with 0.2 ± 0.05 Nm.

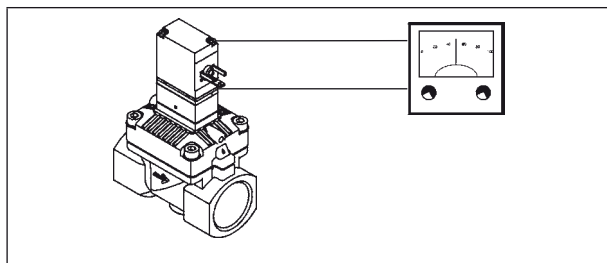


Fig. 5: Protective conductor function

22

english

english

21

- Check functionality of the protective conductor

Resistance	Test voltage	Test current
max. 0,1 Ω	12 V	1 A

8.3. Malfunctions

If malfunctions occur, check whether:

- the device has been installed according to the instructions,
- the electrical and fluid connections are correct,
- the device is not damaged,
- all screws have been tightened,
- the voltage and pressure have been switched on,
- the pipelines are clean.

Valve does not switch

Possible cause:

- Short-circuit or coil interrupted,
- Internal space of the valve is dirty,
- Medium pressure outside the permitted pressure range.

english

23

Valve does not close

Possible cause:

- Internal space of the valve is dirty,
- Diaphragms defective.

9. SPARE PARTS**CAUTION!**

Risk of injury and/or damage by the use of incorrect parts!

Incorrect accessories and unsuitable spare parts may cause injuries and damage the device and the surrounding area.

- Use original accessories and original spare parts from Bürkert only.

9.1. Ordering spare parts**Spare parts**

When ordering replacement parts, quote the pilot valve or armature and the identification number of the device.

- Spare parts see chapter 9.2. *Overview of spare parts*.
- The identification number of the device can be found on the rating plate. See also chapter 6.4.1. *Description of the rating plate*.

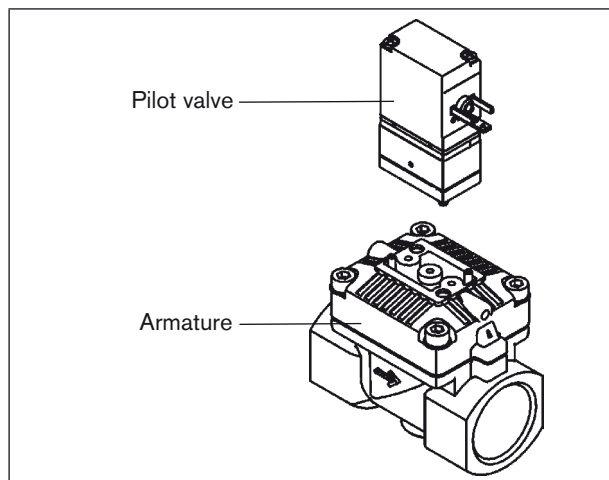
9.2. Overview of spare parts

Fig. 6: Overview of spare parts

10. PACKAGING, TRANSPORT, STORAGE**NOTE!****Transport damages!**

Inadequately protected equipment may be damaged during transport.

- During transportation protect the device against wet and dirt in shock-resistant packaging.
- Avoid exceeding or dropping below the allowable storage temperature.

Incorrect storage may damage the device.

- Store the device in a dry and dust-free location!
- Storage temperature: -40 ... +80 °C.

11. DISPOSAL

→ Dispose of the device and packaging in an environmentally friendly manner.

NOTE!

Damage to the environment caused by device components contaminated with media.

- Observe applicable regulations on disposal and the environment.

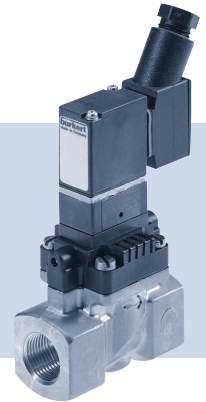


Note:

Observe national waste disposal regulations.

Typ 6212

2/2-Wege Magnetventil



Bedienungsanleitung

Deutsch

We reserve the right to make technical changes without notice.

Technische Änderungen vorbehalten.

Sous réserve de modifications techniques.

www.burkert.com

© 2009 Bürkert Werke GmbH

Operating Instructions 1001/16_EU-ml_00800598 / Original DE

1. DIE BEDIENUNGSANLEITUNG

Die Bedienungsanleitung beschreibt den gesamten Lebenszyklus des Gerätes. Bewahren Sie diese Anleitung so auf, dass sie für jeden Benutzer gut zugänglich ist und jedem neuen Eigentümer des Gerätes wieder zur Verfügung steht.

Die Bedienungsanleitung enthält wichtige Informationen zur Sicherheit!

Das Nichtbeachten dieser Hinweise kann zu gefährlichen Situationen führen.

- Die Bedienungsanleitung muss gelesen und verstanden werden.

2. DARSTELLUNGSMITTEL

In dieser Anleitung werden folgende Darstellungsmittel verwendet.

GEFAHR!

Warnt vor einer unmittelbaren Gefahr!

- Bei Nichtbeachtung sind Tod oder schwere Verletzungen die Folge.

WARNUNG!

Warnt vor einer möglicherweise gefährlichen Situation!

- Bei Nichtbeachtung können schwere Verletzungen oder Tod die Folge sein.


VORSICHT!

Warnt vor einer möglichen Gefährdung!

- Nichtbeachtung kann mittelschwere oder leichte Verletzungen zur Folge haben.

HINWEIS!

Warnt vor Sachschäden!

-  Wichtige Tipps und Empfehlungen.

→ markiert einen Arbeitsschritt den Sie ausführen müssen.

3. BESTIMMUNGSGEMÄSSE VERWENDUNG

Bei nicht bestimmungsgemäßem Einsatz des Typs 6212 können Gefahren für Personen, Anlagen in der Umgebung und die Umwelt entstehen.

- Das Gerät ist zum Steuern, Absperren und Dosieren von neutralen Medien bis zu einer Viskosität von 21 mm²/s konzipiert.
- Mit einer sachgemäß angeschlossenen und montierten Gerätesteckdose, z. B. Bürkert Typ 2506, erfüllt das Gerät die Schutzart IP65 nach DIN EN 60529 / IEC 60529.
- Für den Einsatz die in den Vertragsdokumenten und der Bedienungsanleitung spezifizierten zulässigen Daten, Betriebs- und Einsatzbedingungen beachten. Diese sind im Kapitel 6. *Technische Daten* beschrieben.
- Voraussetzungen für den sicheren und einwandfreien Betrieb sind sachgemäßer Transport, sachgemäße Lagerung und Installation sowie sorgfältige Bedienung und Instandhaltung.
- Setzen Sie das Gerät nur bestimmungsgemäß ein.

3.1. Vorhersehbarer Fehlgebrauch

- Im explosionsgeschützten Bereich darf das Gerät nur eingesetzt werden, wenn auf dem Typschild eine entsprechende zusätzliche Kennzeichnung angebracht ist.
- Belasten Sie das Gehäuse nicht mechanisch (z. B. durch Ablage von Gegenständen oder als Trittstufe).
- Nehmen Sie keine äußerlichen Veränderungen an den Gerätegehäusen vor. Gehäuseteile und Schrauben nicht lackieren.
- Die Magnetspule darf nicht thermisch isoliert werden, da sie sich bei Betrieb erwärmt. Auf ausreichende Belüftung der Magnetspule ist zu achten.

3.2. Beschränkungen

Beachten Sie bei der Ausfuhr des Systems/Gerätes gegebenenfalls bestehende Beschränkungen.

32

deutsch

4. GRUNDLEGENDE SICHERHEITSHINWEISE

Diese Sicherheitshinweise berücksichtigen keine:

- Zufälligkeiten und Ereignisse, die bei Montage, Betrieb und Wartung der Geräte auftreten können.
- Ortsbezogenen Sicherheitsbestimmungen, für deren Einhaltung, auch in Bezug auf das Montagepersonal, der Betreiber verantwortlich ist.



Gefahr durch hohen Druck!

- Vor dem Lösen von Leitungen oder Ventilen den Druck abschalten und Leitungen entlüften.

Gefahr durch elektrische Spannung!

- Vor Eingriffen in das Gerät oder die Anlage, Spannung abschalten und vor Wiedereinschalten sichern!
- Die geltenden Unfallverhütungs- und Sicherheitsbestimmungen für elektrische Geräte beachten!

Verbrennungsgefahr/Brandgefahr bei Dauerbetrieb durch heiße Geräteoberfläche!

- Das Gerät von leicht brennbaren Stoffen und Medien fernhalten und nicht mit bloßen Händen berühren.
- Das Gerät nicht thermisch isolieren und für ausreichende Belüftung sorgen.

34

deutsch

deutsch

33

Kurzschlussgefahr/Austritt von Medium durch undichte Verschraubungen!

- Auf einwandfreien Sitz der Dichtungen achten!
- Ventil und Anschlussleitungen sorgfältig verschrauben.



Allgemeine Gefahrensituationen.

Zum Schutz vor Verletzungen ist zu beachten:

- Dass die Anlage nicht unbeabsichtigt betätigt werden kann.
- Installations- und Instandhaltungsarbeiten dürfen nur von autorisiertem Fachpersonal mit geeignetem Werkzeug ausgeführt werden.
- Nach einer Unterbrechung der elektrischen oder pneumatischen Versorgung ist ein definierter oder kontrollierter Wiederanlauf des Prozesses zu gewährleisten.
- Das Gerät darf nur in einwandfreiem Zustand und unter Beachtung der Bedienungsanleitung betrieben werden.
- Für die Einsatzplanung und den Betrieb des Gerätes müssen die allgemeinen Regeln der Technik eingehalten werden.

deutsch

35

HINWEIS!**Elektrostatisch gefährdete Bauelemente / Baugruppen!**

Das Gerät enthält elektronische Bauelemente, die gegen elektrostatische Entladung (ESD) empfindlich reagieren. Berührung mit elektrostatisch aufgeladenen Personen oder Gegenständen gefährdet diese Bauelemente. Im schlimmsten Fall werden sie sofort zerstört oder fallen nach der Inbetriebnahme aus.

- Beachten Sie die Anforderungen nach EN 61340-5-1 und 5-2, um die Möglichkeit eines Schadens durch schlagartige elektrostatische Entladung zu minimieren bzw. zu vermeiden!
- Achten Sie ebenso darauf, dass Sie elektronische Bauelemente nicht bei anliegender Versorgungsspannung berühren!



Der Typ 6212 wurde unter Einbeziehung der anerkannten sicherheitstechnischen Regeln entwickelt und entspricht dem Stand der Technik. Trotzdem können Gefahren entstehen.

Bei Nichtbeachtung dieser Bedienungsanleitung und ihrer Hinweise sowie bei unzulässigen Eingriffen in das Gerät entfällt jegliche Haftung unsererseits, ebenso erlischt die Gewährleistung auf Geräte und Zubehörteile!

36

deutsch

5.3. Gewährleistung

Diese Druckschrift enthält keine Garantiezusagen. Wir verweisen hierzu auf unsere allgemeinen Verkaufs- und Lieferbedingungen. Voraussetzung für die Gewährleistung ist der bestimmungsgemäße Gebrauch des Typs 6212 unter Beachtung der spezifizierten Einsatzbedingungen.



Die Gewährleistung erstreckt sich nur auf die Fehlerfreiheit des Typs 6212 und seiner Bauteile.

Für Folgeschäden jeglicher Art, die durch Ausfall oder Fehlfunktion des Gerätes entstehen könnten, wird keine Haftung übernommen.

5.4. Zulassungen

Die auf den Bürkert Typschildern aufgebrachte Zulassungskennzeichnung bezieht sich auf die Bürkert Produkte. Geräte, die das Typengenehmigungszeichen tragen, wurden beim Kraftfahrtbundesamt unter der Typengenehmigungsnummer **e1*72/245*2006/96*5791*00**

genehmigt und werden mit dem gezeigten Typengenehmigungszeichen in den Verkehr gebracht.



03 5791

38

deutsch

5. ALLGEMEINE HINWEISE**5.1. Lieferumfang**

Überzeugen Sie sich unmittelbar nach Erhalt der Sendung, dass der Inhalt nicht beschädigt ist und in Art und Umfang mit dem Lieferschein bzw. der Packliste übereinstimmt.

Bei Unstimmigkeiten wenden Sie sich bitte umgehend an uns.

5.2. Kontaktadressen**Deutschland**

Bürkert Fluid Control Systems
Sales Center
Christian-Bürkert-Str. 13-17
D-74653 Ingelfingen
Tel. + 49 (0) 7940 - 10 91 111
Fax + 49 (0) 7940 - 10 91 448
E-mail: info@de.buerkert.com

International

Die Kontaktadressen finden Sie auf den letzten Seiten der gedruckten Bedienungsanleitung.

Außerdem im Internet unter:

www.burkert.com → Bürkert → Company → Locations

deutsch

37

Einen Auszug der Typgenehmigung erhalten Sie unter der unten stehenden Adresse.

Bürkert Werke GmbH & Co KG
Zulassungsbeauftragter
Christian-Bürkert-Str. 13-17
D-74653 Ingelfingen

5.5. Informationen im Internet

Bedienungsanleitungen und Datenblätter zum Typ 6212 finden Sie im Internet unter:

www.buerkert.de → Dokumentation → Typ 6212

deutsch

39

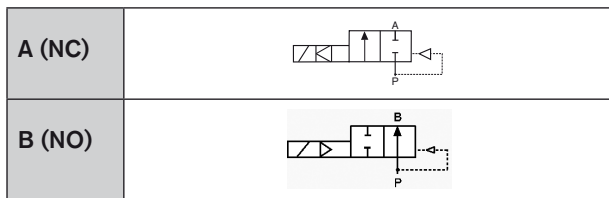
6. TECHNISCHE DATEN

6.1. Betriebsbedingungen

! Folgende Werte* sind auf dem Typschild angegeben:

- **Spannung** (Toleranz $\pm 10\%$) / **Stromart**
- **Spulenleistung** (Wirkleistung in W - betriebswarm)
- **Druckbereich**
- **Gehäusewerkstoff** Messing (MS) oder Edelstahl (VA)
- **Dichtwerkstoff** FKM, EPDM, NBR

* siehe nachfolgende Typschildbeschreibung
Wirkungsweise 2/2-Wege Magnetventil:



Schutzart: IP65 nach DIN EN 60529 / IEC 60529 mit Gerätesteckdose

6.2. Einsatzbedingungen

Zulässige Temperaturen

Umgebungstemperatur: max. +55 °C

Wärme abstrahlende Energiequellen dürfen das Gerät nicht zusätzlich erwärmen.

Zulässige Mediumstemperatur in Abhängigkeit vom Dichtwerkstoff:

FKM	0 ... +50 °C
NBR	0 ... +50 °C
EPDM	-10 ... +50 °C

Zulässige Medien in Abhängigkeit vom Dichtwerkstoff:

Dichtwerkstoff	Zulässige Medien
FKM	Per-Lösungen, Öle, Fett, wässrige Säuren
NBR	Neutrale Medien, z. B. Druckluft, Wasser, Hydrauliköl
EPDM	Öl- und fettfreie Medien, verdünnte Laugen

Nennbetriebsart: Dauerbetrieb 100% ED (mit 24 V/DC)
Aussetzbetrieb 40 % (20 min)
(mit 110-120 V/UC, 230-240 V/UC)

! Wichtiger Hinweis für die Funktionssicherheit bei Dauerbetrieb!
Bei langem Stillstand wird eine Mindestbetätigung von 1-2 Schaltungen pro Tag empfohlen.

Lebensdauer

Hohe Schaltfrequenz und hohe Drücke verringern die Lebensdauer.

6.3. Konformität

CE - Zeichen konform bzgl. EMV-Richtlinie 2004/108/EG nur bei korrekt angeschlossenem Kabel bzw. Stecker und Buchsen.

6.4. Typschild

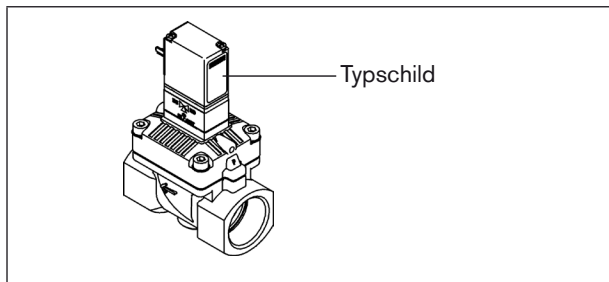


Bild 1: Lage des Typschildes

6.4.1. Typschildbeschreibung

Beispiel:

The diagram shows a type label with the following specifications and callouts:

- Nennweite: 6212
- Wirkungsweise: A
- Typ: 13,0
- Dichtwerkstoff: FKM
- Gehäusewerkstoff: MS
- Identnummer: 00138961
- Hersteller-Code: W11 ML
- Spannung, Leistung: 230-240V AC/DC 4W
- Anschlussgewinde, Nenndruck: G1/2 PN0,2-10bar

Bild 2: Beispiel des Typschildes

7. MONTAGE

7.1. Sicherheitshinweise



GEFAHR!

Verletzungsgefahr durch hohen Druck in der Anlage!

- Vor dem Lösen von Leitungen oder Ventilen den Druck abschalten und Leitungen entlüften.

Verletzungsgefahr durch Stromschlag!

- Vor Eingriffen in das Gerät oder die Anlage, Spannung abschalten und vor Wiedereinschalten sichern!
- Die geltenden Unfallverhütungs- und Sicherheitsbestimmungen für elektrische Geräte beachten!



WARNUNG!

Verletzungsgefahr bei unsachgemäßer Montage!

- Die Montage darf nur autorisiertes Fachpersonal mit geeignetem Werkzeug durchführen!

Verletzungsgefahr durch ungewolltes Einschalten der Anlage und unkontrollierten Wiederanlauf!

- Anlage vor unbeabsichtigtem Betätigen sichern.
- Nach der Montage einen kontrollierten Wiederanlauf gewährleisten.

44

deutsch

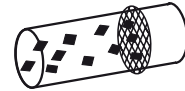
7.2. Vor dem Einbau

Einbaulage:

Die Einbaulage ist beliebig.
Vorzugsweise: Antrieb oben.

→ Rohrleitungen vor dem Einbau auf Verschmutzungen überprüfen und gegebenenfalls reinigen.

Schmutzfilter: Für die sichere Funktion des Magnetventils muss vor dem Ventileingang ein Schmutzfilter ($\leq 500 \mu\text{m}$) eingebaut werden.



7.3. Einbau

→ Das Gerät mit geeignetem Werkzeug (Gabelschlüssel) am Gehäuse festhalten und in die Rohrleitung einschrauben.

HINWEIS!

Vorsicht Bruchgefahr!

- Die Spule darf nicht als Hebelarm benutzt werden.

→ Durchflussrichtung beachten:
Der Pfeil auf dem Gehäuse kennzeichnet die Durchflussrichtung (keine Funktion in entgegengesetzter Durchflussrichtung).

45

deutsch

7.4. Elektrischer Anschluss der Gerätesteckdose



GEFAHR!

Verletzungsgefahr durch Stromschlag!

- Vor Eingriffen in das Gerät oder die Anlage, Spannung abschalten und vor Wiedereinschalten sichern!
- Die geltenden Unfallverhütungs- und Sicherheitsbestimmungen für elektrische Geräte beachten!

Bei nicht angeschlossenem Schutzleiter besteht die Gefahr des Stromschlags!

- Schutzleiter immer anschließen!
- Elektrischer Durchgang zwischen Spule und Gehäuse prüfen.

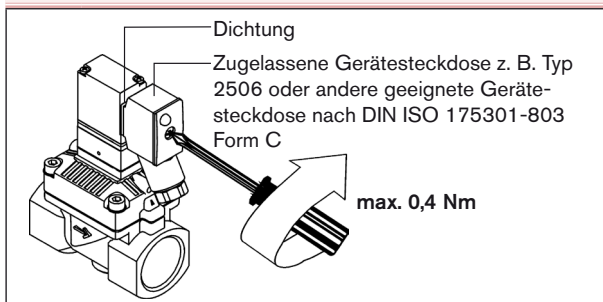


Bild 3: Elektrischer Anschluss der Gerätesteckdose



Spannung und Stromart laut Typschild beachten.

- Gerätesteckdose (zugelassene Typen siehe Datenblatt) festschrauben, dabei max. Drehmoment 0,4 Nm beachten.
- Korrekten Sitz der Dichtung überprüfen.
- Schutzleiter anschließen und elektrischer Durchgang zwischen Spule und Gehäuse prüfen.

46

deutsch

deutsch

47

8. WARTUNG, FEHLERBEHEBUNG

8.1. Sicherheitshinweise



GEFAHR!

Verletzungsgefahr durch hohen Druck in der Anlage!

- Vor dem Lösen von Leitungen und Ventilen den Druck abschalten und Leitungen entlüften.

Verletzungsgefahr durch Stromschlag!

- Vor Eingriffen in das Gerät oder die Anlage, Spannung abschalten und vor Wiedereinschalten sichern!
- Die geltenden Unfallverhütungs- und Sicherheitsbestimmungen für elektrische Geräte beachten!



WARNUNG!

Verletzungsgefahr bei unsachgemäßer Installation!

- Die Installation darf nur autorisiertes Fachpersonal mit geeignetem Werkzeug durchführen!

Verletzungsgefahr durch ungewolltes Einschalten der Anlage und unkontrollierten Wiederanlauf!

- Anlage vor unbeabsichtigtem Betätigen sichern.
- Nach der Installation einen kontrollierten Wiederanlauf gewährleisten.

8.2. Montage des Vorsteuerventils



WARNUNG!

Mediumsaustritt!

Beim Lösen einer festsitzenden Schraube kann Medium austreten.

- Festsitzende Schraube nicht weiterdrehen.

Stromschlag!

Bei nicht angeschlossenem Schutzleiter besteht die Gefahr des Stromschlags!

- Schutzleiterkontakt nach der Spulenmontage prüfen!

HINWEIS!

Durch ein zu großes Anzugsmoment kann das Gerät beschädigt werden!

- Beachten Sie das maximale Anzugsmoment der Schrauben!

Geräteschaden durch falsches Werkzeug!

- Schrauben immer mit geeignetem Werkzeug festschrauben. Bei der Verwendung anderer Werkzeuge (z. B. Zange) kann das Gerät beschädigt werden.

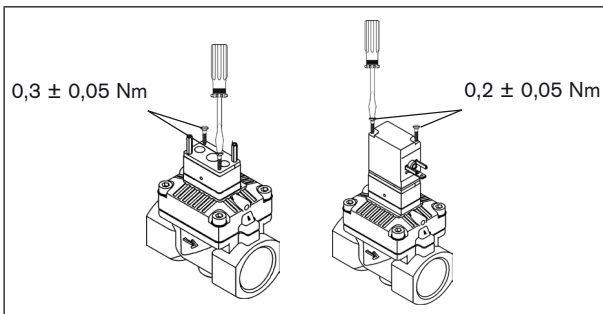


Bild 4: Montage des Vorsteuerventils

- Vorsteuerventil auf Armatur befestigen:
Schrauben mit $0,2 \pm 0,05$ Nm einschrauben.

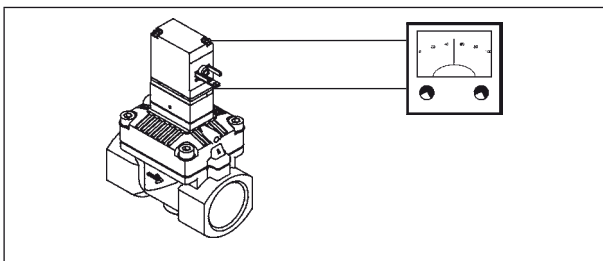


Bild 5: Schutzleiterfunktion

- Schutzleiterfunktion prüfen.

Widerstand	Prüfspannung	Prüfstrom
max. $0,1 \Omega$	12 V	1 A

8.3. Störungen

Überprüfen Sie bei Störungen ob:

- das Gerät vorschriftsmäßig installiert ist,
- der elektrische und fluidische Anschluss ordnungsgemäß ausgeführt ist,
- das Gerät nicht beschädigt ist,
- alle Schrauben fest angezogen sind,
- Spannung und Druck anliegen,
- die Rohrleitungen schmutzfrei sind.

Ventil schaltet nicht

Mögliche Ursache:

- Kurzschluss oder Spulenunterbrechung,
- Innenraum des Ventils verschmutzt,
- Mediumsdruck außerhalb des zulässigen Druckbereichs.

Ventil schließt nicht

Mögliche Ursache:

- Innenraum des Ventils verschmutzt,
- Membrane defekt.

9. ERSATZTEILE



VORSICHT!

Verletzungsgefahr, Sachschäden durch falsche Teile!

Falsches Zubehör und ungeeignete Ersatzteile können Verletzungen und Schäden am Gerät und dessen Umgebung verursachen

- Nur Originalzubehör sowie Originalersatzteile der Firma Bürkert verwenden.

9.1. Ersatzteile bestellen

Ersatzteile

Bestellen Sie die Ersatzteile unter Angabe Vorsteuerventil oder Armatur und der Identnummer des Gerätes.

- Ersatzteile siehe 9.2.Übersicht Ersatzteile
- Die Identnummer des Gerätes finden Sie auf dem Typschild. Siehe auch 6.4.1.Typschildbeschreibung.

MAN 1000010036 ML Version: L Status: RL (released | freigegeben) printed: 20.01.2015

9.2. Übersicht Ersatzteile

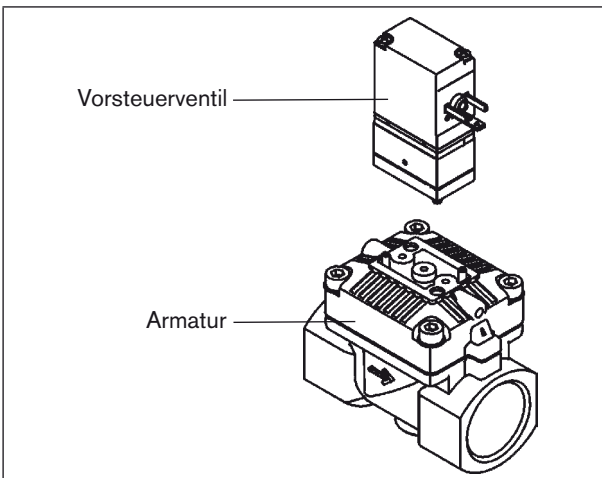


Bild 6: Übersicht Ersatzteile

10. VERPACKUNG, TRANSPORT, LAGERUNG

HINWEIS!

Transportschäden!

Unzureichend geschützte Geräte können durch den Transport beschädigt werden.

- Gerät vor Nässe und Schmutz geschützt in einer stoßfesten Verpackung transportieren.
- Eine Über- bzw. Unterschreitung der zulässigen Lagertemperatur vermeiden.

Falsche Lagerung kann Schäden am Gerät verursachen.

- Gerät trocken und staubfrei lagern!
- Lagertemperatur. -40 ... +80 °C.

11. ENTSORGUNG

→ Entsorgen Sie das Gerät und die Verpackung umweltgerecht.

HINWEIS!

Umweltschäden durch von Medien kontaminierte Geräteteile.

- Geltende Entsorgungsvorschriften und Umweltbestimmungen einhalten.

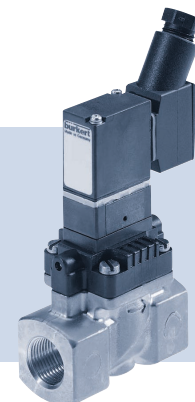


Hinweis:

Beachten Sie die nationalen Abfallbeseitigungsvorschriften.

Type 6212

Electrovanne 2/2 voies



Manuel d'utilisation

Français

We reserve the right to make technical changes without notice.

Technische Änderungen vorbehalten.

Sous réserve de modifications techniques.

www.burkert.com

© 2009 Bürkert Werke GmbH

Operating Instructions 1001/16_EU-ml_00800598 / Original DE

MAN 1000010036 ML Version: L Status: RL (released | freigegeben) printed: 20.01.2015

1. LES INSTRUCTIONS DE SERVICE

Les instructions de service décrivent le cycle de vie complet de l'appareil. Conservez ces instructions de sorte qu'elles soient accessibles à tout utilisateur et à disposition de tout nouveau propriétaire.

Les instructions de service contiennent des informations importantes sur la sécurité!

Le non-respect de ces consignes peut entraîner des situations dangereuses.

- Les instructions de service doivent être lues et comprises.

2. SYMBOLES

Les moyens de représentation suivants sont utilisés dans les présentes instructions de service.

DANGER !

Met en garde contre un danger imminent !

- Le non-respect peut entraîner la mort ou de graves blessures.

AVERTISSEMENT !

Met en garde contre une situation éventuellement dangereuse !

- Le non-respect peut entraîner de graves blessures ou la mort.


ATTENTION !

Met en garde contre un risque possible !

- Le non-respect peut entraîner des blessures légères ou de moyenne gravité.

REMARQUE !

Met en garde contre des dommages matériels !

 Conseils et recommandations importants.

→ identifie une opération que vous devez effectuer.

3. UTILISATION CONFORME

L'utilisation non-conforme du type 6212 peut présenter des dangers pour les personnes, les installations avoisinantes et l'environnement.

- L'appareil est conçu pour commander, arrêter et doser des fluides neutres jusqu'à une viscosité de 21 mm²/s.
- Avec un connecteur adéquat, par ex. le type 2506 de Bürkert, connectée et montée de manière conforme, l'appareil est conforme au type de protection IP65 selon DIN EN 60529 / IEC 60529.
- L'utilisation doit se faire dans le respect des données et des conditions d'exploitation et d'utilisation spécifiées dans les documents contractuels, les instructions de service et sur la plaque signalétique. Vous trouverez une description au chapitre Caractéristiques techniques.
- Les conditions pour l'utilisation sûre et parfaite sont un transport, un stockage et une installation dans les règles ainsi qu'une parfaite utilisation et maintenance.
- Veillez à ce que l'utilisation de l'appareil soit toujours conforme.

3.1. Mauvaise utilisation prévisible

- L'appareil ne peut être utilisé dans une zone à atmosphère explosive que si un marquage additionnel correspondant se trouve sur la plaque signalétique.
- Ne soumettez pas le corps à des contraintes mécaniques (par ex. pour déposer des objets ou en l'utilisant comme marche).
- N'apportez pas de modifications à l'extérieur du corps de l'appareil. Ne laquez pas les pièces du corps et les vis.
- La bobine magnétique ne doit pas avoir d'isolement thermique car elle se réchauffe lorsqu'elle fonctionne. Veiller à ventiler suffisamment la bobine magnétique.

3.2. Limitations

Lors de l'exportation du système / de l'appareil, veuillez respecter les limitations éventuelles existantes.

60

français

4. CONSIGNES DE SÉCURITÉ FONDAMENTALES

Ces consignes de sécurité ne tiennent pas compte :

- Des hasards et des événements pouvant survenir lors du montage, de l'exploitation et de l'entretien des appareils.
- Des prescriptions de sécurité locales que l'exploitant est tenu de faire respecter par le personnel chargé du montage.



Danger avec haute pression !

- Avant de desserrer les tuyauteries et les vannes, coupez la pression et purgez l'air des conduites.

Danger présenté par la tension électrique !

- Avant d'intervenir dans l'appareil ou l'installation, coupez la tension et empêchez toute remise sous tension par inadvertance !
- Veuillez respecter les réglementations en vigueur pour les appareils électriques en matière de prévention des accidents ainsi qu'en matière de sécurité !

Risque de brûlures / d'incendie lors d'une durée de fonctionnement prolongée dû à la surface brûlante de l'appareil !

- Tenez les substances et les fluides facilement inflammables à l'écart de l'appareil et ne touchez pas ce dernier à mains nues.
- Ne pas prévoir d'isolement thermique de l'appareil et veiller à une ventilation suffisante.

62

français

français

61

Risque de court-circuit / de sortie du fluide en présence de vissages non étanches.

- Veiller à l'installation correcte des joints !
- Visser soigneusement la vanne et les raccords de la tuyauterie !



Situations dangereuses d'ordre général.

Pour prévenir les blessures, respectez ce qui suit :

- L'installation ne peut pas être actionnée par inadvertance.
- Les travaux d'installation et de maintenance doivent être effectués uniquement par des techniciens qualifiés et habilités disposant de l'outillage approprié.
- Après une interruption de l'alimentation électrique ou du fluide, un redémarrage défini ou contrôlé du processus doit être garanti.
- L'appareil doit être utilisé uniquement en parfait état et en respectant les instructions de service.
- Les règles générales de la technique sont à appliquer pour l'opérationnel et l'utilisation de l'appareil.

63

français

REMARQUE !**Éléments / sous-groupes sujets aux risques électrostatiques !**

L'appareil contient des éléments électroniques sensibles aux décharges électrostatiques (ESD). Ces éléments sont affectés par le contact avec des personnes ou des objets ayant une charge électrostatique. Au pire, ils sont immédiatement détruits ou tombent en panne après mise en service.

- Respectez les exigences selon EN 61340-5-1 et 5-2 pour minimiser ou éviter la possibilité d'un dommage causé par une soudaine décharge électrostatique !
- Veillez également à ne pas toucher d'éléments électroniques lorsqu'ils sont sous tension !



Le modèle 6212 a été développé dans le respect des règles reconnues en matière de sécurité et correspond à l'état actuel de la technique. Néanmoins, des risques peuvent se présenter.

Le non-respect de ces instructions de service avec ses consignes ainsi que les interventions non autorisées sur l'appareil excluent toute responsabilité de notre part et entraînent la nullité de la garantie légale concernant les appareils et les accessoires!

5. INDICATIONS GÉNÉRALES**5.1. Fourniture**

Assurez-vous que le contenu n'est pas endommagé et correspond au bon de livraison ou à la liste de colisage pour ce qui concerne le type et la quantité.

En cas de différences, veuillez nous contacter immédiatement.

5.2. Adresses**Allemagne**

Bürkert Fluid Control Systems
Sales Center
Chr.-Bürkert-Str. 13-17
D-74653 Ingelfingen
Tel. + 49 (0) 7940 - 10 91 111
Fax + 49 (0) 7940 - 10 91 448
E-mail: info@de.buerkert.com

International

Les adresses se trouvent aux dernières pages des instructions de service imprimées.

Egalement sur internet sous:

www.burkert.com → Bürkert → Company → Locations

64

français

5.3. Garantie légale

Cet imprimé ne contient aucune promesse de garantie. A cet effet, nous renvoyons à nos conditions générales de vente et de livraison. La condition pour bénéficier de la garantie légale est l'utilisation conforme du type 6212 dans le respect des conditions d'utilisation spécifiées.



La garantie légale ne couvre que l'absence de défaut du type 6212 et de ses composants.

Nous déclinons toute responsabilité pour les dommages de toute nature qui résultent de la panne ou du dysfonctionnement de l'appareil.

5.4. Homologations

Le marquage d'homologation apposé sur les plaques signalétiques Bürkert se rapporte aux produits Bürkert. Les appareils portant la marque e1 ont été homologués au Service fédéral de la circulation automobile (Kraftfahrtbundesamt) sous le numéro

e1*72/245*2006/96*5791*00

et seront mis en circulation avec la marque d'homologation indiquée

e 1

03 5791

Vous recevrez un extrait de l'homologation à l'adresse ci-dessous :

Bürkert Werke GmbH & Co KG
Zulassungsbeauftragter
Christian-Bürkert-Str. 13-17
D-74653 Ingelfingen

5.5. Informations sur Internet

Vous trouverez sur Internet les instructions de service et fiches techniques relatives au type 6212 :

www.buerkert.fr → Fiches techniques → Type 6212

65

français

66

français

français

67

6. CARACTÉRISTIQUES TECHNIQUES

6.1. Conditions d'exploitation

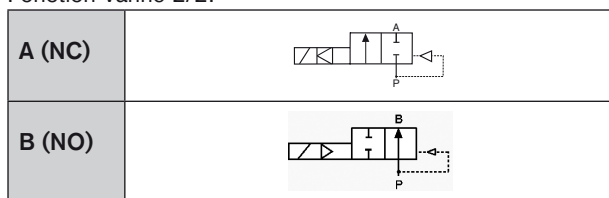


Les valeurs suivantes* sont indiquées sur la plaque signalétique :

- **Tension** (tolérance $\pm 10\%$) / **type de courant**
- **Puissance de bobine** (puissance active en W – à l'état chaud)
- **Plage de pression**
- **Matériau du corps** laiton (MS) ou acier inoxydable (VA)
- **Matériau du joint** FKM, EPDM, NBR

* voir ci-dessous la description de la plaque signalétique

Fonction Vanne 2/2:



Type de protection : IP65 selon DIN EN 60529 / IEC 60529 avec connecteur

6.2. Conditions d'utilisation

Températures admissibles

Température ambiante : max. +55 °C

L'appareil ne doit pas être réchauffé en plus par des sources d'énergie dégageant de la chaleur.

Température admissible du fluide en fonction du matériau du joint:

FKM	0 ... +50 °C
NBR	0 ... +50 °C
EPDM	-10 ... +50 °C

Fluides utilisables en fonction du matériau du joint:

Matériau du joint	Fluides admissibles
FKM	Huile, graisse, acide diluée
NBR	Fluide neutre, tel que l'air comprimé, eau, huile hydraulique
EPDM	Fluide sans huile et graisse

Facteur de marche: 100% marche continue (avec 24 V/DC), 40%, 20 min. cycle intermittent (avec 110-120 V/UC, 230-240 V/UC)

MAN 1000010036 ML Version: L Status: RL (released | freigegeben) printed: 20.01.2015



Remarque importante pour la sécurité en fonctionnement continu !

En cas d'arrêt prolongé, nous recommandons un minimum de 1 à 2 commutations par jour.

Durée de vie

Une fréquence élevée de commutation ainsi que des pressions élevées réduisent la durée de vie.

6.3. Conformité

Label CE conforme en ce qui concerne la directive CEM 2004/108/CE uniquement lorsque le câble, les fiches et les prises sont correctement raccordés.

6.4. Plaque signalétique

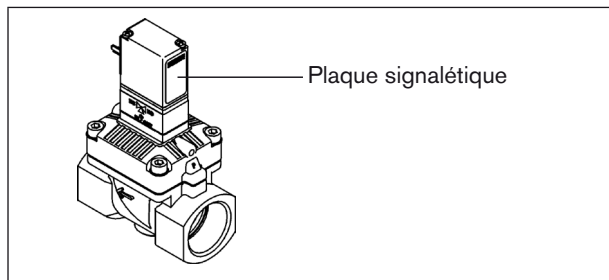


Fig. 1 : Position de la plaque signalétique

6.4.1. Description plaque signalétique

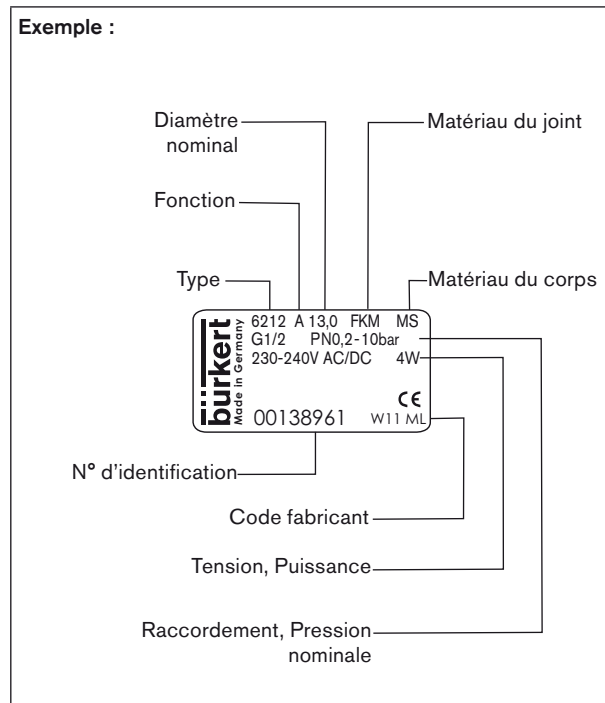


Fig. 2 : Plaque signalétique - Exemple

7. MONTAGE

7.1. Consignes de sécurité



DANGER !

Risque de blessures avec présence de haute pression dans l'installation !

- Avant de desserrer les tuyauteries et les vannes, coupez la pression et purgez l'air les conduites.

Risque de choc électrique !

- Avant d'intervenir dans l'appareil ou l'installation, coupez la tension et empêchez toute remise sous tension par inadvertance !
- Veuillez respecter les réglementations en vigueur pour les appareils électriques en matière de prévention des accidents ainsi qu'en matière de sécurité !



AVERTISSEMENT !

Risque de blessures pour montage non conforme !

- Le montage doit être effectué uniquement par un personnel qualifié et habilité disposant de l'outillage approprié !

Risque de blessures dû à la mise en marche involontaire de l'installation et le redémarrage non contrôlé !

- Empêchez tout actionnement involontaire de l'installation.
- Garantisiez un redémarrage contrôlé après le montage.

7.2. Avant le montage

Position de montage :

Position de montage indifférente.

De préférence: système magnétique vers le haut.

→ Préalablement au montage, vérifiez si les tuyaux ne présentent pas de salissures et les nettoyer le cas échéant.

Filtre à impuretés : Pour garantir un fonctionnement fiable de l'électrovanne, il convient de monter un filtre à impuretés ($\leq 500 \mu\text{m}$) avant l'entrée de la vanne.



7.3. Montage

→ Maintenez l'appareil sur le corps à l'aide d'un outil approprié (clé à fourche) et vissez-le dans la tuyauterie.

REMARQUE !

Attention risque de rupture !

- La bobine ne doit pas être utilisée comme levier.

→ Respectez le sens du débit:
La flèche sur le corps indique le sens du débit (Aucun fonctionnement dans le sens de débit inverse).

72

français

7.4. Raccordement électrique du connecteur



DANGER !

Risque de choc électrique !

- Avant d'intervenir dans l'appareil ou l'installation, coupez la tension et empêchez toute remise sous tension par inadvertance !
- Veuillez respecter les réglementations en vigueur pour les appareils électriques en matière de prévention des accidents ainsi qu'en matière de sécurité !

Risque de choc électrique lorsque la prise de terre n'est pas raccordée!

- Raccordez toujours la prise de terre et contrôlez le passage du courant entre la bobine et le corps.

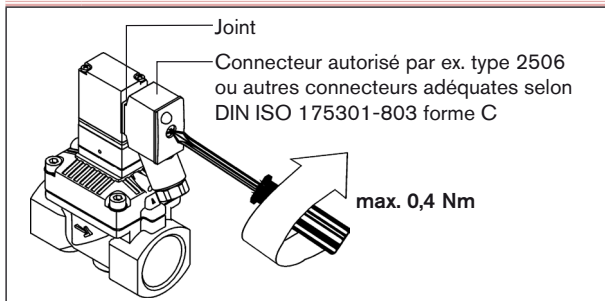


Fig. 3 : Raccordement électrique du connecteur

74

français

français

73



Respectez la tension et le type de courant selon la plaque signalétique.

→ Visser le connecteur (types admissibles, voir fiche technique) en respectant le couple max. de 0,4 Nm.

→ Vérifier le bon positionnement du joint.

→ Raccorder la prise de terre de protection et vérifier le passage électrique entre la bobine et le corps.

français

75

8. MAINTENANCE, DÉPANNAGE

8.1. Consignes de sécurité



DANGER !

Risque de blessures dû à la présence de haute pression dans l'installation !

- Avant de desserrer les conduites et les vannes, coupez la pression et purgez l'air des conduites.

Risque de choc électrique !

- Avant d'intervenir dans l'appareil ou l'installation, coupez la tension et empêchez toute remise sous tension par inadvertance !
- Veuillez respecter les réglementations en vigueur pour les appareils électriques en matière de prévention des accidents ainsi qu'en matière de sécurité !



AVERTISSEMENT !

Risque de blessures dû à des travaux de maintenance non conformes !

- La maintenance doit être effectuée uniquement par un personnel qualifié et habilité disposant de l'outillage approprié !

Risque de blessures dû à la mise en marche involontaire de l'installation et le redémarrage non contrôlé !

- Empêchez tout actionnement involontaire de l'installation.
- Garantisiez un redémarrage contrôlé après la maintenance.

8.2. Montage de la vanne pilotée



AVERTISSEMENT!

Fuite de fluide!

Lors du desserrage d'une vis fixe, du fluide peut s'échapper.

- Ne pas continuer de tourner le vis fixe.

Choc électrique!

Risque de choc électrique lorsque la prise de terre n'est pas raccordée !

- Contrôlez le contact de la prise de terre après montage de la bobine.

REMARQUE!

L'appareil peut être endommagé par un couple de serrage trop fort !

- Respectez le couple de serrage maxi des vis !

Endommagement de l'appareil dû à un outillage inadéquat !

Ne serrer les vis qu'à l'aide d'un outillage approprié. L'utilisation d'autres outils (une pince par ex.) peut endommager l'appareil.

76

français

français

77

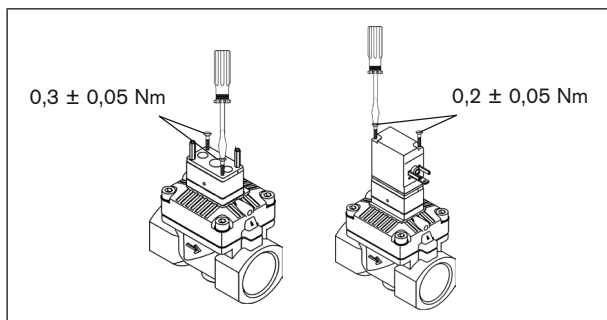


Fig. 4 : Montage de la vanne pilotée

- Fixez la vanne pilotée sur l'armature :
Vissez les vis au couple de $0,2 \pm 0,05$ Nm.

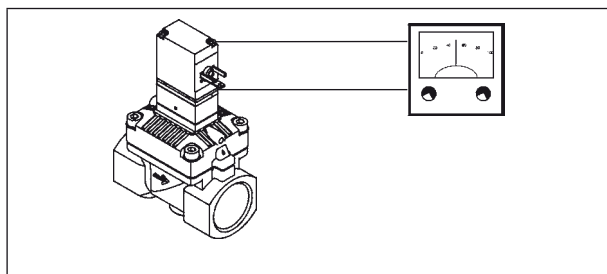


Fig. 5 : Fonctionnement du conducteur de protection

- Contrôlez le fonctionnement du conducteur de protection

Résistance	Tension d'essai	Courant d'essai
max. $0,1 \Omega$	12 V	1 A

8.3. Pannes

En présence de pannes, vérifiez :

- si l'appareil est installé dans les règles,
- si le raccord électrique et fluide est correct,
- si l'appareil n'est pas endommagé,
- si toutes les vis sont bien serrées,
- si la tension et la pression sont disponibles,
- si les tuyauteries sont propres.

La vanne ne s'enclenche pas

Cause possible:

- Court-circuit ou coupure de la bobine,
- Intérieur de la vanne encrassé,
- Pression du fluide hors de la plage de pression autorisée.

78

français

français

79

La vanne ne se ferme pas

Cause possible:

- Intérieur de la vanne encrassé,
- Membranes défectueuses.

9. PIÈCES DE RECHANGE**ATTENTION !**

Risque de blessures, de dommages matériels dus à de mauvaises pièces !

De mauvais accessoires ou des pièces de rechange inadaptées peuvent provoquer des blessures et endommager l'appareil ou son environnement.

- Utiliser uniquement des accessoires et des pièces de rechange d'origine de la société Bürkert.

9.1. Commander des pièces de rechange**Pièces de rechange**

Veillez commander les pièces de rechange en indiquant les références des vanne pilotée ou armature ainsi que le numéro d'identification de l'appareil.

- Pièces de rechange voir 9.2. *Aperçu de pièces de rechange*
- Vous trouverez le numéro d'identification de l'appareil sur la plaque signalétique. Voir également le chapitre 6.4.1. *Description plaque signalétique.*

80

français

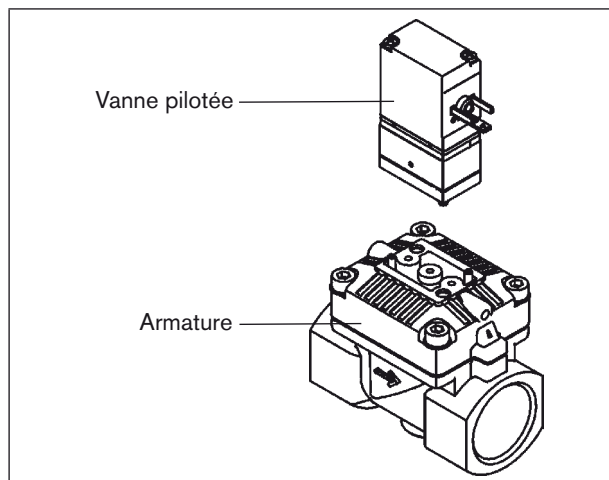
9.2. Aperçu de pièces de rechange

Fig. 6 : Aperçu de pièces de rechange

français

81

10. EMBALLAGE, TRANSPORT, STOCKAGE**REMARQUE !****Dommages dus au transport !**

Les appareils insuffisamment protégés peuvent être endommagés pendant le transport.

- Transportez l'appareil à l'abri de l'humidité et des impuretés et dans un emballage résistant aux chocs.
- Evitez le dépassement vers le haut ou le bas de la température de stockage admissible.

Un mauvais stockage peut endommager l'appareil.

- Stockez l'appareil au sec et à l'abri des poussières !
- Température de stockage: -40 ... +80 °C.

82

français

français

83

11. ELIMINATION

→ Eliminez l'appareil et l'emballage dans le respect de l'environnement.

REMARQUE !

Dommages à l'environnement causés par des pièces d'appareil contaminées par des fluides.

- Respectez les prescriptions en matière d'élimination des déchets et de protection de l'environnement en vigueur.



Remarque :

Respectez les prescriptions nationales en matière d'élimination des déchets.