



## Flow sensor for continuous low-flow measurement and batch control

- Cost attractive solution for low-flow rates and solid-free liquids
- Wetted parts made of ECTFE (Halar®), Saphir, COREPOINT™, FKM or EPDM for use in aggressive liquids
- 3-wire system with paddle-wheel and Hall sensor up to 80 °C, 6 bar
- Frequency output proportional to the flow rate, PLC-compatible

Type 8031 can be combined with...



**Type 8025T**

Remote Universal flow transmitter



**Type 8025B**

Remote batch controller



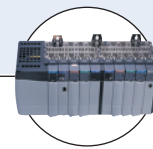
**Type 8611**

PI controller



**Type 8630**

TopControl



**PLC**

The compact low-flow sensor Type 8031 with paddle-wheel and Hall sensor is specially designed for use in aggressive and solid-free liquids.

The particular cost attractive measuring principle is based on a local flow velocity measurement. The sensor produces a flow proportional frequency signal which can easily be transmitted and processed.

We recommend here particularly the connection to the Bürkert Universal transmitter Type 8025 (see separate data sheet).

### General data

#### Materials

Housing, Paddle-wheel	POM or ECTFE (Halar®)
Axis	COREPOINT™ or sapphire
Bearings	POM or Rubin
Magnets	ECTFE (Halar®) encapsuled or blank
Seal	FKM, EPDM or FFKM

#### Electrical connections

Cable, 1 m length (3 x 0.14 LiYY)

#### Process connection

G1/4" or Tube spigot 8/6 or 9 mm

#### Measuring range

10 to 100 l/h (2.6 to 27 gph)  
20 to 250 l/h (5.3 to 66 gph)

#### K-factor

10200 pulse/litre (range 10 to 100 l/h)  
3400 pulse/litre (range 20 to 250 l/h)

#### Fluid temperature

0 to 80 °C

#### Fluid pressure max.

6 bar at 20 °C

#### Accuracy

± 2% o. FS\*

#### Repeatability

0.8% o. FS\*

#### Viscosity

1 to 10 cSt.

### Electrical data

#### Power supply (V+)

5...24 V DC

#### Current consumption

max. 11 mA at 24 V DC

#### Output

push-pull (complementary output) between V+ (white wire) and signal (green wire) or between GND (brown wire) and signal (green wire)

#### Frequency

0 to 300 Hz

### Environment

#### Ambient temperature

0 up to +80 °C

#### Storage temperature

-10 up to +80 °C

### Standards and approvals

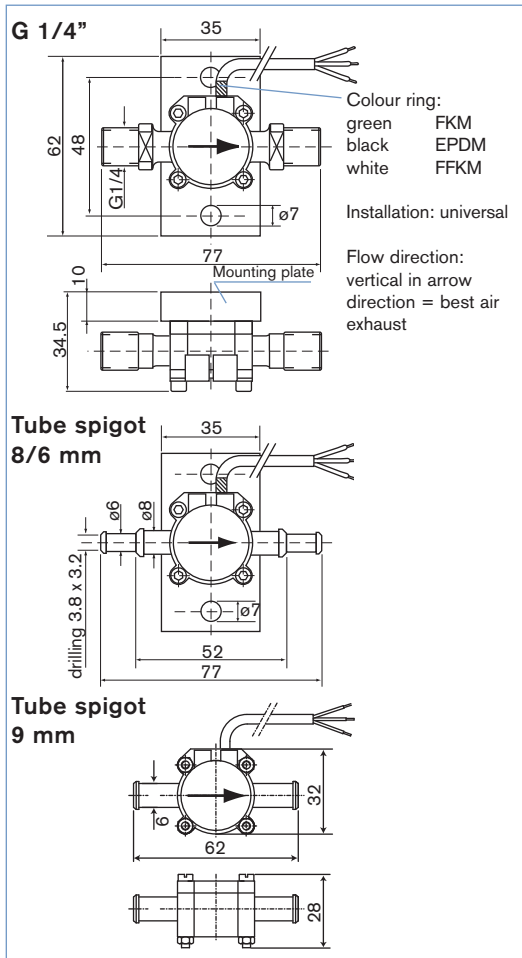
#### Protection class

IP65

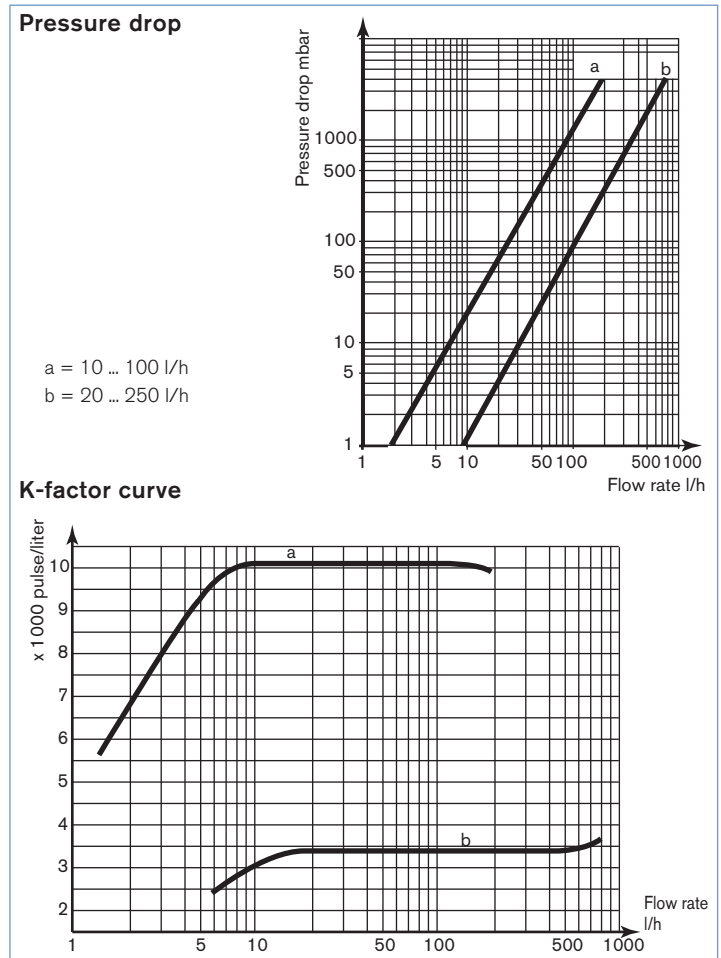
Halar® is a registered Trademark of Ausimont USA, Inc.

\* o.FS = of full scale

**Dimensions**



**Pressure drop and K-factor curve**



**Ordering chart for sensor Type 8031**

Version	Output	Measuring range	Process connection	Housing, Paddle-wheel material	Axis material	Gasket	Item no.	
Without mounting plate	Frequency push-pull	10 to 100 l/h	Tube spigot 8/6 mm	POM	COREPOINT™	FKM	783 717	
			G 1/4"	POM	COREPOINT™	FKM	783 719	
		20 to 250 l/h	Tube spigot 9 mm	POM	COREPOINT™	FKM	783 718	
			G 1/4"	POM	COREPOINT™	FKM	783 720	
With mounting plate	Frequency push-pull	10 to 100 l/h	G 1/4"	ECTFE	Sapphire	FKM	783 721	
			G 1/4"	ECTFE	Sapphire	EPDM	783 722	
			G 1/4"	ECTFE	Sapphire	FFKM	783 723	
			G 1/4"	ECTFE	Sapphire	FKM	783 724	
		20 to 250 l/h	G 1/4"	ECTFE	Sapphire	EPDM	783 725	
			G 1/4"	ECTFE	Sapphire	FFKM	783 726	
			G 1/4"	ECTFE	COREPOINT™	FKM	437 982	
		10 to 100 l/h	G 1/4"	ECTFE	COREPOINT™	EPDM	438 531	
			20 to 250 l/h	G 1/4"	ECTFE	COREPOINT™	FKM	438 532
				G 1/4"	ECTFE	COREPOINT™	EPDM	437 524

To find your nearest Bürkert facility, click on the orange box →

[www.burkert.com](http://www.burkert.com)

In case of special application conditions, please consult for advice.

We reserve the right to make technical changes without notice.  
© Christian Bürkert GmbH & Co. KG

0801/6\_EU-en\_00891780