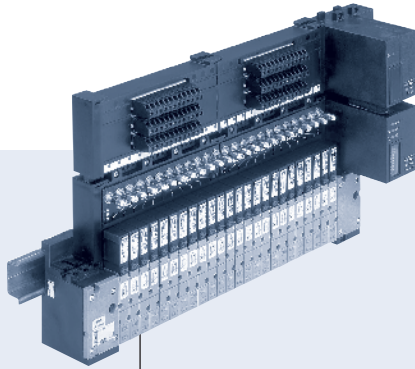


## Modular pneumatic valve unit





- Compact design
- Modular configuration
- High flexibility
- Simple exchange of valves (with option "P-shut-off"- also possible during operation)

Type 8640 can be combined with...



				
<b>Type 8032</b> Switch	<b>Type 6212</b> Solenoid valve	<b>Type 2012</b> Process valve	<b>Type 1062</b> Position feedback	<b>Type 0498</b> Double pilot controlled check valve

The 8640 valve unit system is designed to solve diverse and complex control problems due to its systematic modular construction and combination of pneumatic and electrical interfaces. By putting together a row of pneumatic modules with different numbers of valves, 2 to 24 valve functionalities may be realized on one valve unit.

Electrical connectivity is achieved by either fieldbus interfaces, common connection (parallel connection technique) or multipole interfaces. The valves allow different applications to be covered. Bodies and connection modules are made of high-quality plastic (polyamide) and are easy to assemble by means of the built-in snap connectors.

Specification	Solenoid valve Type 6524/6525 	Solenoid valve Type 6526/6527 
<b>Mounting dimensions</b>	11 mm	16.5 mm
<b>Ambient temperature</b>	14°F to 131°F (-10°C to +55°C)	14°F to 131°F (-10°C to +55°C)
<b>Storage temperature</b>	-4°F to 140°F (-20°C to +60°C)	-4°F to 140°F (-20°C to +60°C)
<b>Pressure range</b>	Vac. - 145 PSI	Vac. - 145 PSI
<b>Operating voltage</b>	24 V/DC	24 V/DC
<b>Voltage tolerance</b>	±10%	±10%
<b>Residual ripple</b>	1 Vss (with fieldbus)	1 Vss (with fieldbus)
<b>Degree of protection</b>	3 according to VDE 0580	3 according to VDE 0580
<b>Duty cycle</b>	Continuous operation (100% ED)	Continuous operation (100% ED)
<b>Circuit functions</b>	C and D (3/2-way), H (5/2-way)	C and D (3/2-way), H (5/2-way)
<b>Flow rate</b>	300 l/min	700 l/min
<b>Rated power</b>	1 W	2 W, 1 W
<b>Rated current per valve</b>	42 mA	86 mA
<b>No. of valve functionalities per unit</b>	2-24	2-24
<b>Pneumatic module</b>	Type MP11, 2- and 8-valves	Type MP12, 2-, 3- and 4-valves
<b>Electric module</b>	6-, 9- and 12-valves	4-, 8- and 16-valves
<b>Feedback</b>	Max. 32	Max. 32
<b>Degree of protection</b>	IP 20 with terminals	IP 20 with terminals IP 54 with circular connector

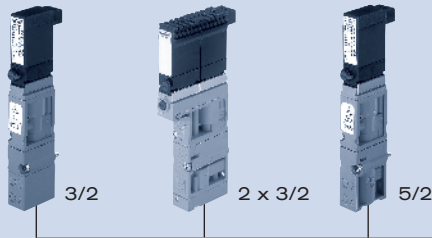
to be continued on page 2

Specification	Solenoid valve Type 6524/6525 	Solenoid valve Type 6526/6527 
<b>Electric Connection</b>	<ul style="list-style-type: none"> <li>▪ Common connection (parallel connection)</li> <li>▪ Multipole (D-Sub, 25 pole)</li> <li>▪ PROFIBUS-DP</li> <li>▪ INTERBUS</li> <li>▪ DEVICE NET</li> <li>▪ SELECAN</li> <li>▪ ASI</li> <li>▪ CANopen</li> <li>▪ Internal bus extension by Profibus DP (RIO)</li> <li>▪ more on request</li> </ul>	
<b>Total current</b> with common connection with multipole connection with fieldbus connection	<p>as a function of the electrical connection technique</p> <p>max. 3A (sum of current through individual valves)</p> <p>max. 3A (sum of current through individual valves) + max. 3A (repeater)</p> <p><math>I_{TOTAL} = I_{BASE} + (n \times I_{VALVE}) + (m \times I_{REPEATER})</math></p> <p>n=quantity of valves, m=quantity of repeaters, I<sub>VALVE</sub>= rated current of each valve</p> <p>I<sub>REPEATER</sub>= rated current of each repeater, m x I<sub>REPEATER</sub>=max. 650 mA</p> <p>I<sub>BASE</sub>=</p> <ul style="list-style-type: none"> <li>200 mA spec. base current PROFIBUS DP</li> <li>300 mA spec. base current INTERBUS</li> <li>200 mA spec. base current DEVICE NET</li> <li>200 mA spec. base current SELECAN</li> </ul>	

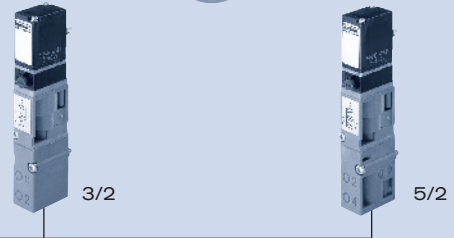
### The 8640 valve island system

#### Solenoid valves

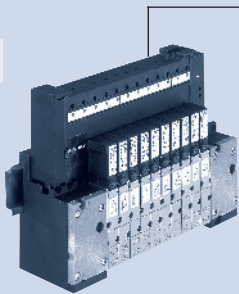
6524/6525



6526/6527

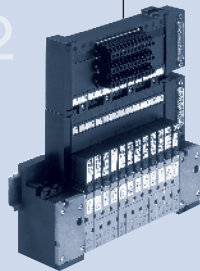


1



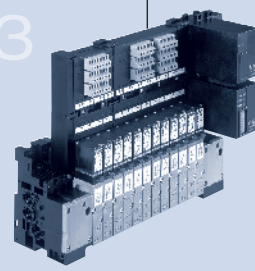
Common electrical connection

2



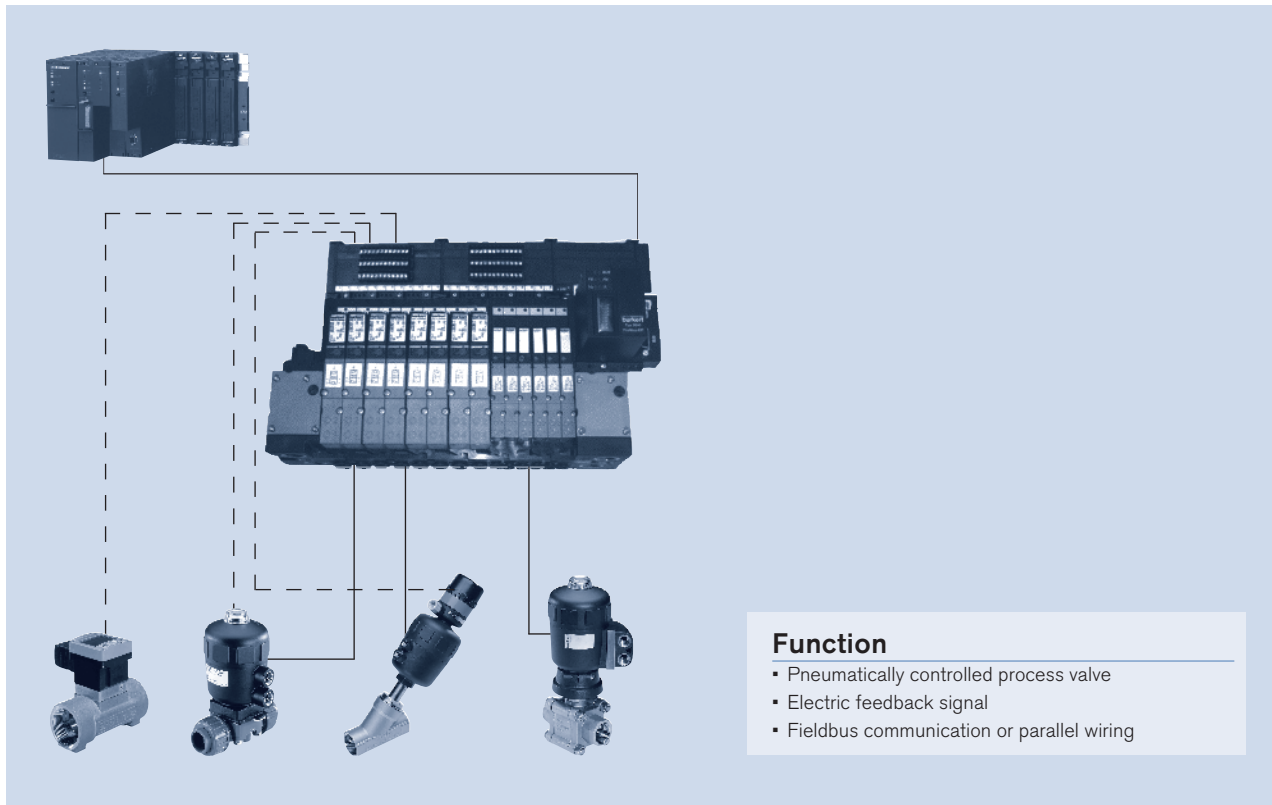
Multipole electrical connection

3



Fieldbus

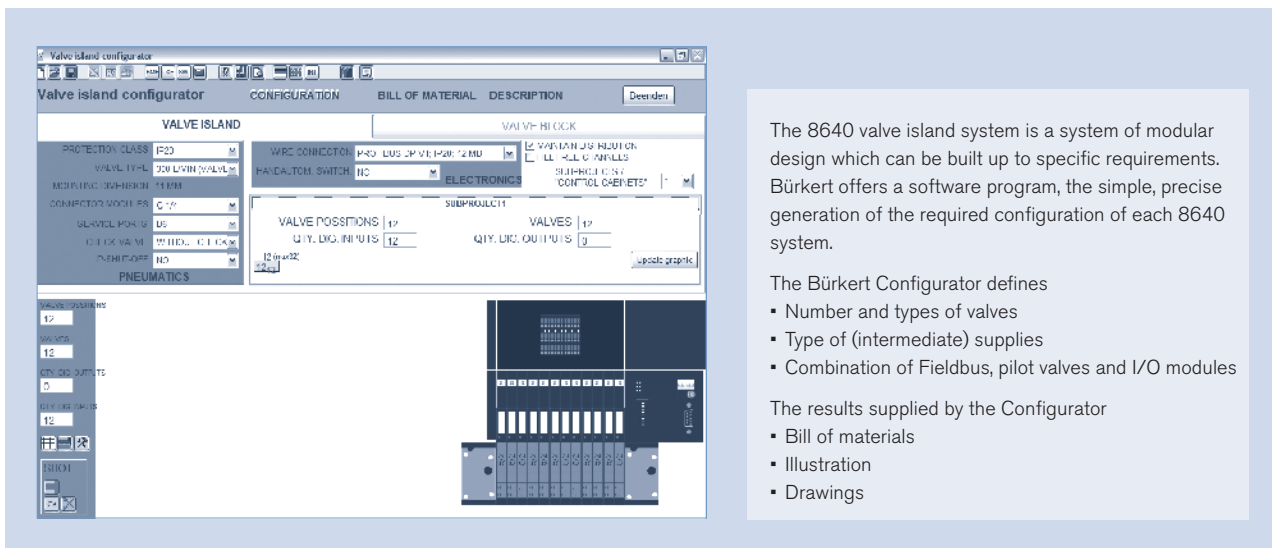
## Application example



### Function

- Pneumatically controlled process valve
- Electric feedback signal
- Fieldbus communication or parallel wiring

## Configuration software



The 8640 valve island system is a system of modular design which can be built up to specific requirements. Bürkert offers a software program, the simple, precise generation of the required configuration of each 8640 system.

The Bürkert Configurator defines

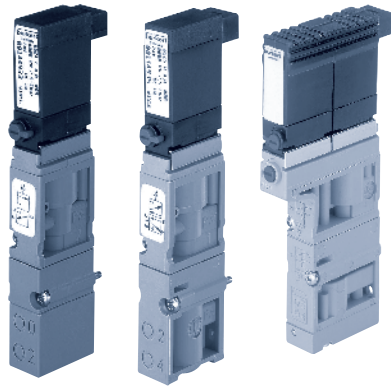
- Number and types of valves
- Type of (intermediate) supplies
- Combination of Fieldbus, pilot valves and I/O modules

The results supplied by the Configurator

- Bill of materials
- Illustration
- Drawings

For more information consult individual datasheets, downloadable at [www.burkert.com](http://www.burkert.com)

## 11mm width per station: Multi-way solenoid valve Types 6524 and 6525



The solenoid valve Types 6524 and 6525 consist of a pneumatic valve body fitted with Type 6104 rocker pilot valve. The rocker principle allows switching of high pressure at low power consumption and fast response times. The pilot valves are equipped with manual override as a standard. The 2 x 3/2-way valve version is the combination of two pilot rocker solenoid valves type 6104 and a pneumatic seat valve.

Specification	3/2-way valve	2 x 3/2-way valve
<b>Body material</b>	PA (polyamide)	
<b>Seal material</b>	FPM, NBR	
<b>Media</b>	Lubricated and non-lubricated dry air, neutral gases (5 µm-Filter)	
<b>Port connection</b>	Flange for MP11	
<b>Manual override</b>	As a standard feature	
<b>Voltage</b>	24 V DC	
<b>Nominal power</b>	1 W	2 x 1 W with reduction of power consumption
<b>Duty cycle</b>	Continuous operation (100% ED)	
<b>Elec. connection on valve</b>	Rectangular plug 2-pole with raster 5.08 mm	Rectangular plug 3-pole with raster 2.54 mm
<b>Mounting</b>	With 2 screws M2 x 20	With 2 screws M2 x 28
<b>Installation position</b>	As required, preferably with pilot valve upright	
<b>Flow rate: QNn value air [l/min]</b>	Measured at 68°F (+20°C), 87 PSI pressure at valve inlet and 14.5 PSI pressure difference	
<b>Pressure ranges [bar]</b>	Measured as overpressure to the atmospheric pressure	
<b>Response times [ms]</b>	Measured according to ISO 12238	

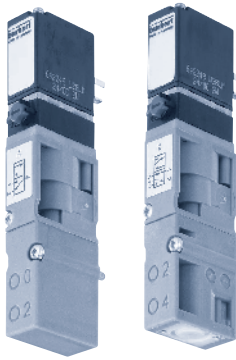
## Order chart for valves

Circuit function	Orifice [mm]	C <sub>v</sub>	QNn value air [l/min]	Pressure range [PSI]	Response times			Item no.
					Opening [ms]	Closing [ms]	Voltage/Frequency [V/Hz]	
<b>Circuit function C</b>  3/2-way valve, servo-assisted in de-energized position port 2 to atmosphere	4	.28	300	Vac. - 101.5	15	20	24 V DC	153 958
				14.5 - 101.5 <sup>1)</sup>	15	20	24 V DC	150 333
				36.25 - 101.5	12	20	24 V DC	144 933
				36.25 - 145	15	28	24 V DC	148 227
<b>Circuit function D</b>  3/2-way valve, servo-assisted in de-energized position port 2 pressurized	4	.28	300	14.5 - 101.5 <sup>1)</sup>	12	20	24 V DC	150 334
				36.25 - 101.5	12	20	24 V DC	144 934
				36.25 - 145	15	28	24 V DC	152 139
<b>Circuit function H</b>  5/2-way valve, servo-assisted in de-energized position port 1 connected to port 2, port 4 exhausted	4	.28	300	14.5 - 101.5 <sup>1)</sup>	15	20	24 V DC	150 335
				36.25 - 101.5	15	20	24 V DC	144 935
				36.25 - 145	20	28	24 V DC	150 610
<b>Circuit function C</b>  2 x 3/2-way valve, servo-assisted in de-energized position port 2/4 to atmosphere	4	.28	300	14.5 - 101.5 <sup>1)</sup>	12	20	24 V DC	170 269 <sup>2)</sup>
				36.25 - 101.5	12	20	24 V DC	170 268 <sup>2)</sup>

<sup>1)</sup> Version with auxiliary air.

<sup>2)</sup> Version with integrated reduction of power consumption

## 16.5mm width per station: Multi-way for solenoid valve Types 6526 and 6527



The solenoid valve Types 6526 and 6527 consist of a pneumatic valve body fitted with Type 6106 rocker pilot valve. The rocker principle allows switching of high pressure at low power consumption and fast response times. The pilot valves are equipped with manual override as a standard.

Specification	
Body material	PA (polyamide)
Seal material	NBR
Media	Lubricated and non-lubricated dry air, neutral gases (10 µm filter)
Port connection	Flange for MP12
Manual override	Standard
Voltage	24 V DC
Nominal power	2 W, 1W
Duty cycle	Continuous operation (100% ED)
Elec. Connection on valve	Tag connector acc. to DIN EN 175301-803 (previously DIN 43650) Form C
Mounting	With 2 screws M3x30
Installation position	As required, preferably with pilot valve upright
Flow rate: QNn value air [l/min]	Measured at 68°F (+20°C), 87 PSI pressure at valve inlet and 14.5 PSI pressure difference
Pressure ranges [bar]	Measured as overpressure to the atmospheric pressure
Response times [ms]	Measured acc. to ISO 12238

### Order chart for valves

Circuit functions	Orifice [mm]	C <sub>v</sub>	QNn value air [l/min]	Pressure range [PSI]	Nominal power [W]	Response times		Voltage/Frequency [V/Hz]	Item no.
						Opening [ms]	Closing [ms] <sup>3)</sup>		
<b>C</b>  3/2-way valve, servo-assisted in de-energized position port 2 to atmosphere	6	.64	700	14.5 - 145 <sup>1)</sup>	2	20	12	24 V DC	156 842
				14.5 - 145 <sup>1)</sup>	2	20	12	24 V DC	163 028 <sup>2)</sup>
				29 - 145	2	20	12	24 V DC	156 318
				29 - 145	2	20	12	24 V DC	158 944 <sup>2)</sup>
				29 - 116	1	20	17	24 V DC	156 840
<b>D</b>  3/2-way valve, servo-assisted in de-energized position port 2 pressurized	6	.64	700	14.5 - 145 <sup>1)</sup>	2	12	20	24 V DC	157 672
				14.5 - 145 <sup>1)</sup>	2	20	12	24 V DC	163 029 <sup>2)</sup>
				29 - 145	2	12	20	24 V DC	156 320
				29 - 145	2	20	12	24 V DC	158 946 <sup>2)</sup>
				29 - 116	1	17	20	24 V DC	156 841
<b>H</b>  5/2-way valve, servo-assisted in de-energized position port 1 connected to port 2, port 4 exhausted	6	.64	700	14.5 - 145 <sup>1)</sup>	2	20	12	24 V DC	156 828
				14.5 - 145 <sup>1)</sup>	2	20	12	24 V DC	163 030 <sup>2)</sup>
				29 - 145	2	20	12	24 V DC	156 337
				29 - 145	2	20	12	24 V DC	158 942 <sup>2)</sup>
				29 - 116	1	20	17	24 V DC	156 827
29 - 116	1	20	12	24 V DC	158 943 <sup>2)</sup>				

<sup>1)</sup> version with auxiliary air

<sup>2)</sup> electric connection with manual override.

<sup>3)</sup> closing time approx. 5 ms higher when used together with valve unit

### More valve options

#### Covering plates

When all the valve connections in a basic valve unit module are not used, then these connections should be covered by the appropriate covering plate for full efficiency.

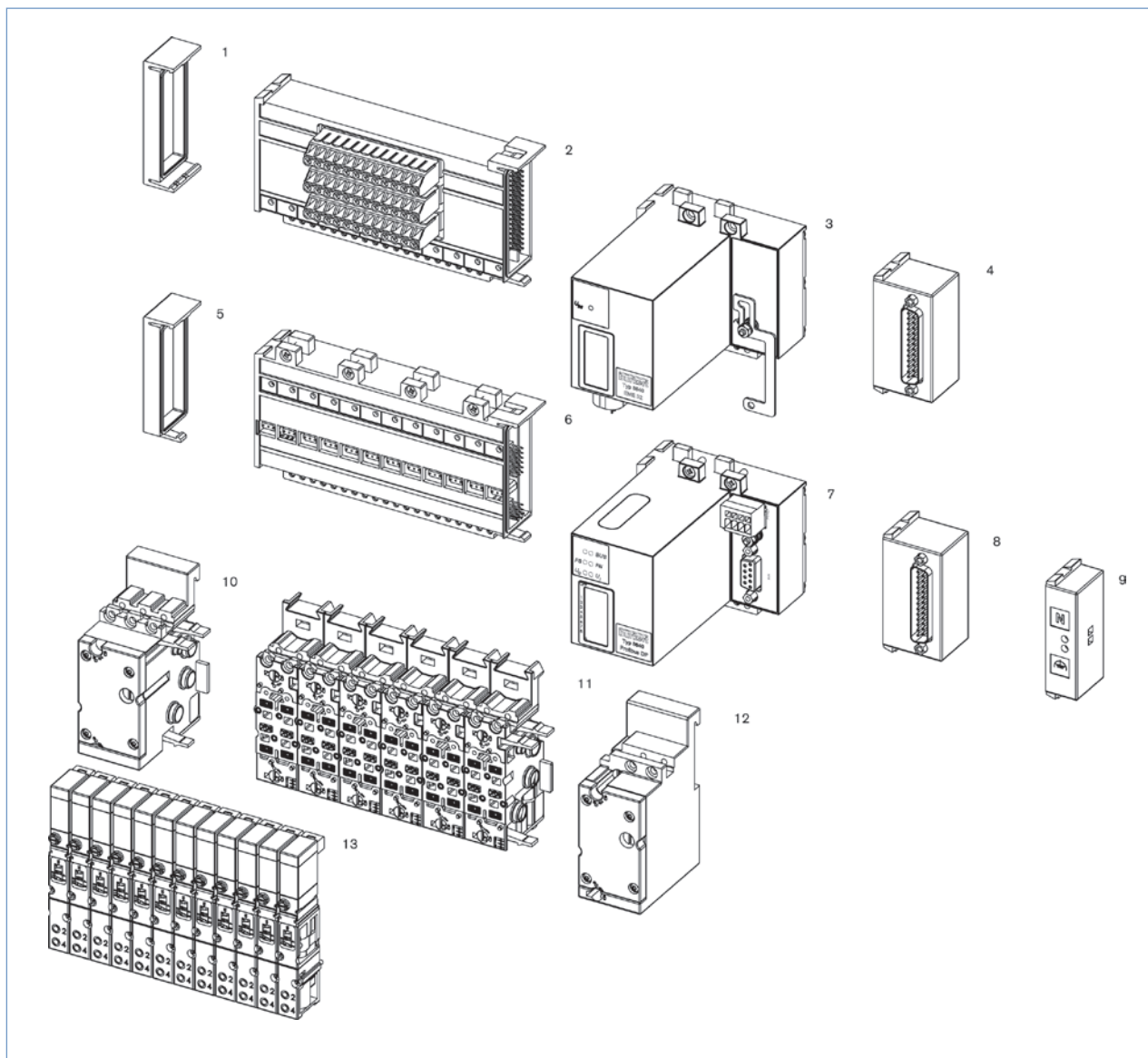
Covering plates	Item no.
Covering plate for solenoid valve Type 6524/6525	650 373
Covering plate for solenoid valve Type 6524 2 x 3/2-way valve	661 092
Covering plate for solenoid valve Type 6526/6527	653 765

#### Exhaust plates

An exhaust plate is mounted on the pneumatic module of the valve unit and offers an additional possibility to remove compressed air from the system.

Exhaust plates	Item no.
Exhaust air plate complete Type 6524/6525	655 166
Exhaust air plate complete Type 6526/6527	653 697

## Valve unit configuration



## Basic module choice, for further modules see the following pages

- |  |  |
|--|--|
| 1. Electrical end module left                        | 2. Terminal module for electronic inputs         |
| 3. Extension module for electrical inputs            | 4. Multipole repeater inputs (initiators)        |
| 5. Electrical end module left                        | 6. Basic electrical module standard              |
| 7. Fieldbus module                                   | 8. Multipole valve outputs                       |
| 9. Common connection module                          | 10. Pneumatic connection module left, Type MP11  |
| 11. Basic pneumatic modules, Type MP11 for 12 valves | 12. Pneumatic connection module right, Type MP11 |
| 13. Valves of Type 6525 (5/2-way)                    |  |

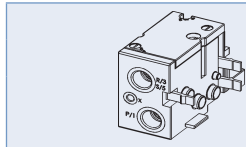
## Module description

Pneumatic module Type MP11 and MP12, mounting dimensions 11 mm and 16.5 mm

**6524/6525**  
Mounting dimensions 11mm



**6526/6527**  
Mounting dimensions 16.5mm

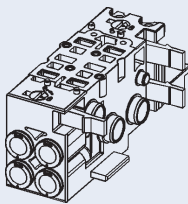
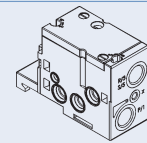


### Left connector module

G 1/4	G 3/8
NPT 1/4	NPT 3/8
Push-in Ø10 mm	–

### Right connector module

G 1/4	G 3/8
NPT 1/4	NPT 3/8
Push-in Ø10 mm	–



### Basic module, 2 valves wide

M5 and M7	G 1/8
Push-in Ø 6 mm	NPT 1/8
Push-in Ø 1/4"	Push-in Ø8 mm
Push-in Ø 5/32" / Ø 4 mm	Push-in Ø 5/16"
P shut-off option	–
Check valve in R&S optional	Check valve in R&S optional

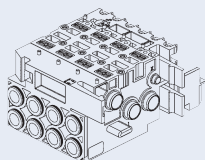
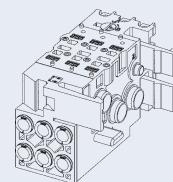
### Basic module, 2 valves wide with 2 x 3/2-way valve

M5 and M7	–
Push-in Ø 6 mm	–
Push-in Ø 1/4"	–
Push-in Ø 5/32" / Ø 4 mm	–
Check valve in R&S optional	–

### Basic module, 3 valves wide

for mounting 11 mm valve (used when 11 mm valves are combined with 16,5 mm valves on one valve island)

–	M5 and M7
–	Push-in Ø 6 mm
–	Push-in Ø 1/4"
–	Push-in Ø 5/32" / Ø 4 mm





### Basic module, 4 valves wide

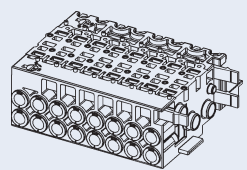
–	G 1/8
–	NPT 1/8
–	Push-in Ø 8 mm
–	Push-in Ø 5/16"
–	Check valve in R&S optional

**Module description**


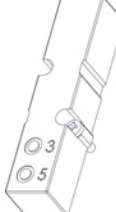


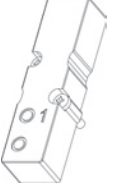
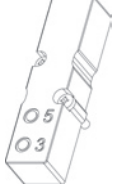

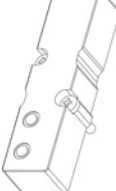
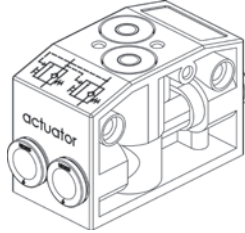
Pneumatic module Type MP11 and MP12, mounting dimensions 11 mm and 16.5 mm

 <b>6524/6525</b> Mounting dimensions 11mm	 <b>6526/6527</b> Mounting dimensions 16.5mm
---	---

<b>Basic module, 8 valves wide</b>	
M5 and M7	-
Push-in Ø 6 mm	-
Push-in Ø 1/4"	-
Push-in Ø 5/32" / Ø 4	-
P shut-off option	-
Check valve in R&S optional	-
<b>Basic module, 8 valves wide with 2 x 3/2-way valve</b>	
M5 and M7	-
Push-in Ø 6 mm	-
Push-in Ø 1/4"	-
Push-in Ø 5/32" / Ø 4	-
Check valve in R&S optional	-



**Additional pneumatic accessories**

<p><b>MP11</b></p> <div style="text-align: center;">                   Intermediate supply plate             </div> <div style="text-align: center;">                   Separate exhaust plate             </div> <div style="text-align: center;">                   Bulkhead             </div> <div style="text-align: center;">                   Covering plate             </div>
<p><b>MP12</b></p> <div style="text-align: center;">                   Intermediate supply plate             </div> <div style="text-align: center;">                   Separate exhaust plate             </div> <div style="text-align: center;">                   Bulkhead             </div> <div style="text-align: center;">                   Covering plate             </div>
<p><b>Type 0498</b></p> <div style="text-align: center;">                   Double pilot controlled check valve             </div>

DTS 1000082387 EN Version: B Status: RL (released | freigegeben | validé) printed: 20.01.2015



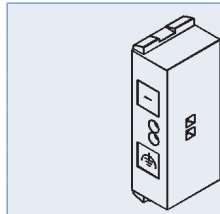
Module description

Common connection and multipole modules for individual connection of valves and repeaters

6524/6525  
Mounting dimension 11mm



6526/6527  
Mounting dimension 16.5mm

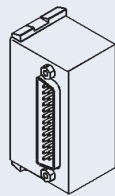


Connection via individual stranded wires

- Looped-through ground potential
- Max. 24 valves
- IP20 degree of protection
- Screw terminal

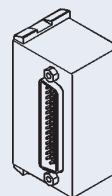
Multipole module

Valve outputs



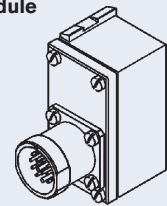
Multipole module

Repeater inputs  
(initiators)



Multipole module

Valve outputs

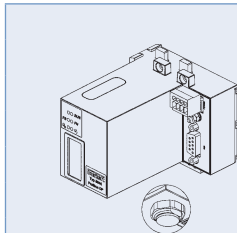


Fieldbus modules

6524/6525  
Mounting dimension 11mm



6526/6527  
Mounting dimension 16.5mm

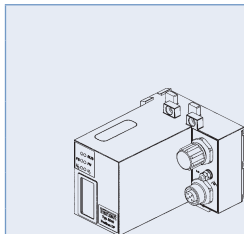
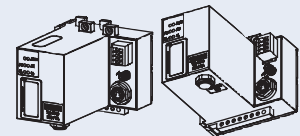


Fieldbus PROFIBUS-DP, IP20 degree of protection

- Max. 24 valves
- Max. 32 repeaters (in connection with EME module)
- Transmission rates 9.6; 19.2; 93.75; 187.5; 500 kBaud; 1.5; 3; 6; 12 MBaud
- Power supply with rectangular plug (4-pole male)
- Bus connection D-SUB (9-pole female)
- Option with RIO-connection M8 (4-pole)

Internal bus extension RIO-VA module, IP20 degree of protection

- Max. 24 valves
- Max. 32 repeaters (in connection with EME module)
- Plug



Fieldbus PROFIBUS-DP IP54 degree of protection

on connection with the basic electrical module the complete system meets the degree of protection IP54

- Max. 24 valves
- Max. 32 repeaters (in connection with EME module)
- Transmission rates 9.6; 19.2; 93.75; 187.5; 500 kBaud; 1.5; 3; 6; 12 MBaud
- Power supply with M12 circular plug (4-pole male)
- Bus connection M12 (5-pole female)
- For a trouble-free assembly use the following Y-piece ( Item No 902098)

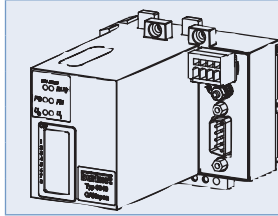
Module description

Fieldbus modules

**6524/6525**  
Mounting dimension 11mm



**6526/6527**  
Mounting dimension 16.5mm

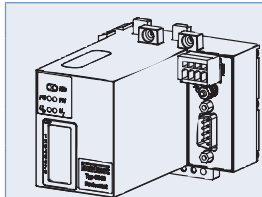
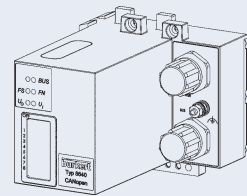


**Fieldbus CANopen, IP20 degree of protection**

- Max. 24 valves,
- Max. 32 repeaters (in connection with EME module)
- Transmission rates 20, 125, 250 or 500 kBaud
- Power supply with rectangular plug (4-pole)
- Bus connection D-SUB (9-pole male)

**Fieldbus CANopen, IP54 degree of protection  
on connection with the basic electrical module the complete system  
meets the degree of protection IP54**

- Max. 24 valves
- Max. 32 repeaters (in connection with EME module)
- Transmission rates 20, 125, 250 or 500 kBaud
- Power supply with M12 circular plug (4-pole male)
- Bus connection M12 (5-pole male)
- For a trouble-free assembly use the following Y-piece (Item No 788643)

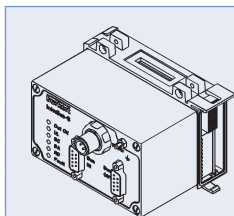
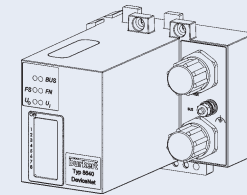


**Fieldbus Device Net, IP20 degree of protection**

- Max. 24 valves
- Max. 32 repeaters (in connection with EME module)
- Transmission rates 125, 250 or 500 kBaud
- Power supply with rectangular plug (4-pole)
- Bus connection D-Sub (9-pole male)

**Fieldbus Device Net, IP54 degree of protection  
on connection with the basic electrical module the complete system  
meets the degree of protection IP54**

- Max. 24 valve
- Max. 32 repeaters (in connection with EME module)
- Transmission rates 125, 250 or 500 kBaud
- Power supply with M12 circular plug (4-pole male)
- Bus connection M12 (5-pole male)
- For a trouble-free assembly use the following Y-piece (Item No 788643)



**Fieldbus InterBus S, IP54 degree of protection**

**on connection with the basic electrical module the complete system  
meets the degree of protection IP54**

- Max. 24 valves
- Max. 32 repeaters (in connection with EME module)
- Transmission rates 500 kBaud
- Power supply with M12 circular plug (4-pole)
- Bus connection 2 x D-SUB (9-pole plug & sleeve)

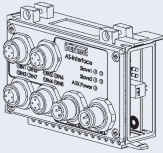
## Module description

### Fieldbus modules

**6524/6525**  
Mounting dimension 11mm



**6526/6527**  
Mounting dimension 16.5mm



#### Fieldbus AS Interface 8IN/8OUT, IP54 degree of protection

on connection with the basic electrical module the complete system meets the degree of protection IP54

Max. 4 (see drawing) or 8 valves and 8 repeaters

5 ms cycle time (determined by control)

Power supply with M12 circular plug (4-pole)

Bus connection with M12 circular plug (4-pole)

#### Fieldbus AS Interface 4IN/4OUT, IP54 degree of protection

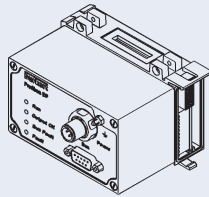
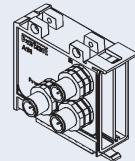
on connection with the basic electrical module the complete system meets the degree of protection IP54

Max. 4 (see drawing) or 8 valves and 8 repeaters

5 ms cycle time (determined by control)

Power supply with M12 circular plug (4-pole)

Bus connection with M12 circular plug (4-pole)



#### Fieldbus SELECAN, IP54 degree of protection

on connection with the basic electrical module the complete system meets the degree of protection IP54

Max. 24 valves

Max. 32 repeaters (in connection with EME module)

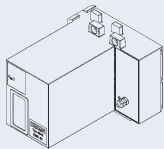
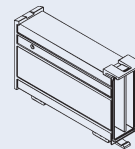
Transmission rates 20, 100, 500 or 1000 kBaud

Power supply with M12 circular plug (4-pole)

Bus connection D-SUB (9-pole plug & sleeve)

#### EME module (extension module inputs, old version), IP54 degree of protection

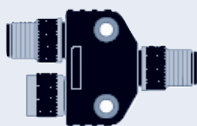
Module for connection of repeater inputs in connection with fieldbus modules



#### EME module (extension module inputs, new version), IP54 degree of protection

Module for connection of repeater inputs in connection with fieldbus modules

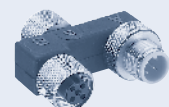
### Further electrical accessories



#### Bus Y-piece for PROFIBUS

you must use at least one preconverted

#### Bus Y-piece for CANopen and DeviceNet



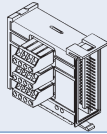
## Module description

### Modules with connection points for repeaters

**6524/6525**  
Mounting dimension 11mm



**6526/6527**  
Mounting dimension 16.5mm



#### Module with plugged connection for repeaters/initiators

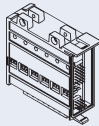
6, 12 or 24 input	8 or 16 input
IP20 degree of protection	IP20 degree of protection
Pluggable screw terminals	Pluggable screw terminals

### Modules with integrated cable plug for the electrical connection of the valves

**6524/6525**  
Mounting dimension 11mm



**6526/6527**  
Mounting dimension 16.5mm



#### Basic electric module, standard version

6, 9 or 12 valve stations	4, 6 or 8 valve stations
IP20 degree of protection	IP20 degree of protection

#### Basic electric module with 2 x 3/2-way valve, standard version

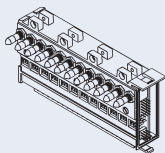
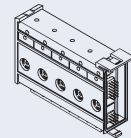
6 or 12 valve stations	–
IP20 degree of protection	–

#### Basic electrical module, Common connection

6 or 12 valve stations	4 or 8 valve stations
IP20 degree of protection	IP20 degree of protection
Wire connection via screw terminals	Wire connection via screw terminals

#### Electrical module with 2 x 3/2-way valve, common connection

6 or 12 valve stations	–
IP20 degree of protection	–

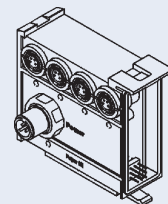


#### Basic electrical module with manual-automatic switchover

6 or 12 valve stations	–
IP20 degree of protection	–
Version with 3-stage safety ratchet switch	–

#### Module with 4 free outputs

Operating voltage 24 V DC
Max. electrical performance 12 W per output
Electrical connection
▪ M12 circular plug for power supply
▪ M8 circular plug for power supply
IP54 degree of protection





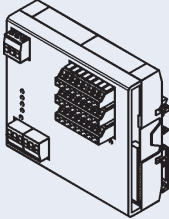
**Module description**

**Digital I/O-Module**

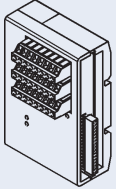
**for extension of a valve unit with freely assignable inputs and/or outputs**

Maximum of 48 digital connections; precondition is that a REMOTE I/O interface is present in the valve unit; supply voltage 24 VDC, power consumption max. 5 W, current consumption 10 mA per input, current sum of all outputs max. 10 A, power per output max. 12 W, signal level LOW = 0 to 4.5 V; HIGH = 13 to 28 V.

 <b>6524/6525</b> <b>Mounting dimension 11mm</b>	 <b>6526/6527</b> <b>Mounting dimension 16.5mm</b>
---	---



<b>I/O basic digital module</b>
With fieldbus connection (internal bus)
8 digital connections
DIP switch for setting up the 8 digital connections of the basic module as inputs or outputs
Terminal connection
IP20 degree of protection

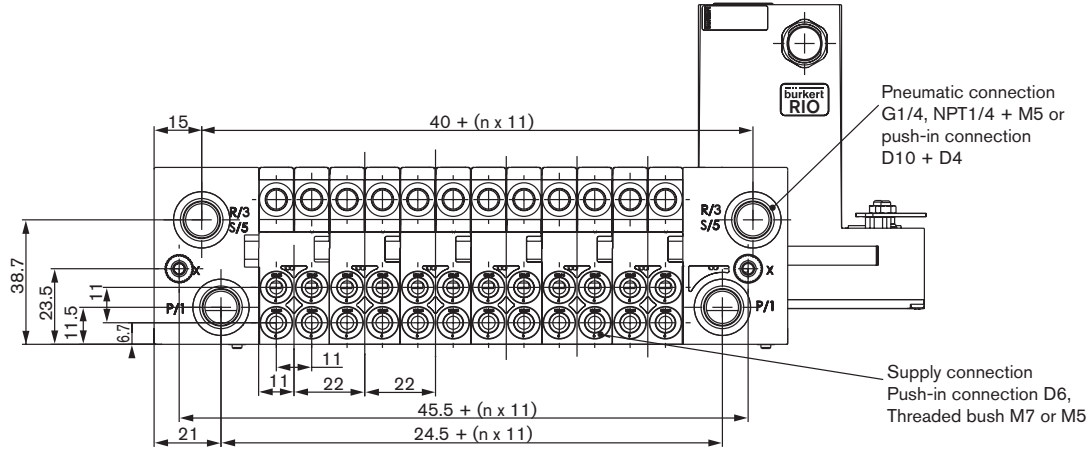
<b>I/O expanding digital module</b>	
Basic module required	
DIP switch for setting up the 8 digital connections of the basic module as inputs or outputs	
Terminal connection	
IP20 degree of protection	

Dimensions [mm]

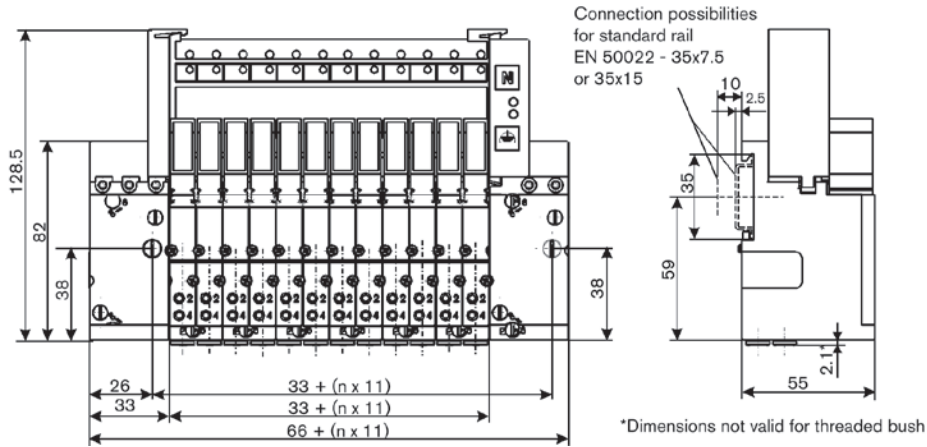
11 mm mounting dimensions for Type 6524/6525

Underside view of valve unit with Profibus and RIO-Interface

Supply and service ports are found on the bottom of the valve unit in all versions; the indicated dimensions apply to all the valves of this type.

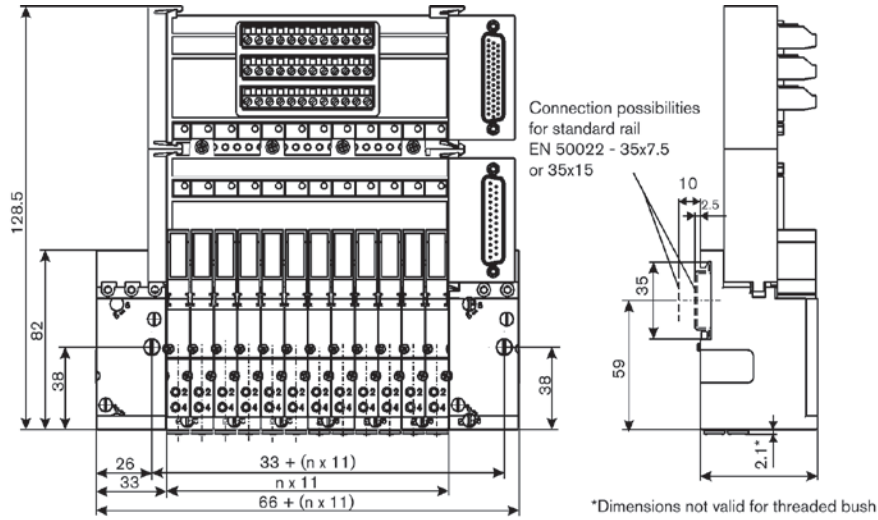


Example of a valve unit with common connection



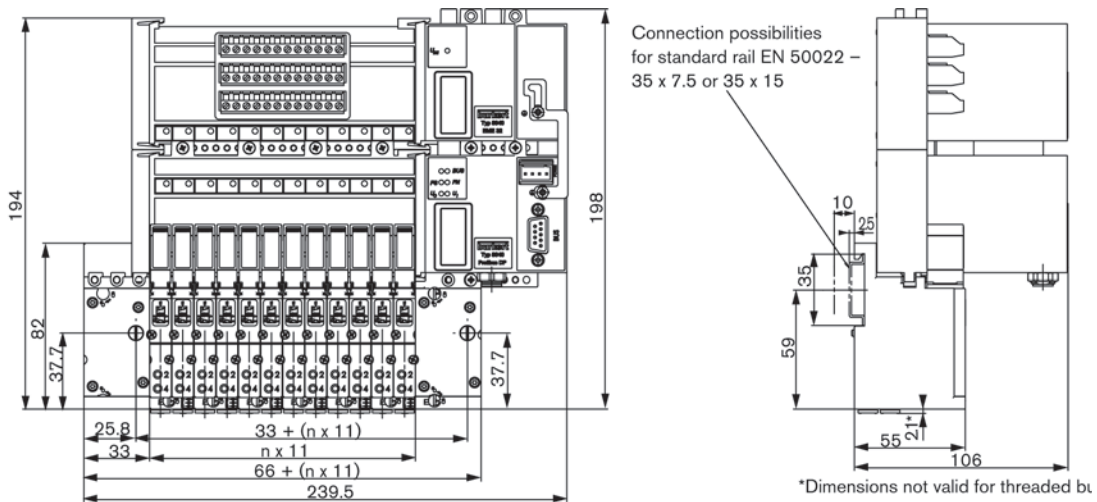
Dimensions [mm]

Example of a valve unit with repeaters and multipole connection



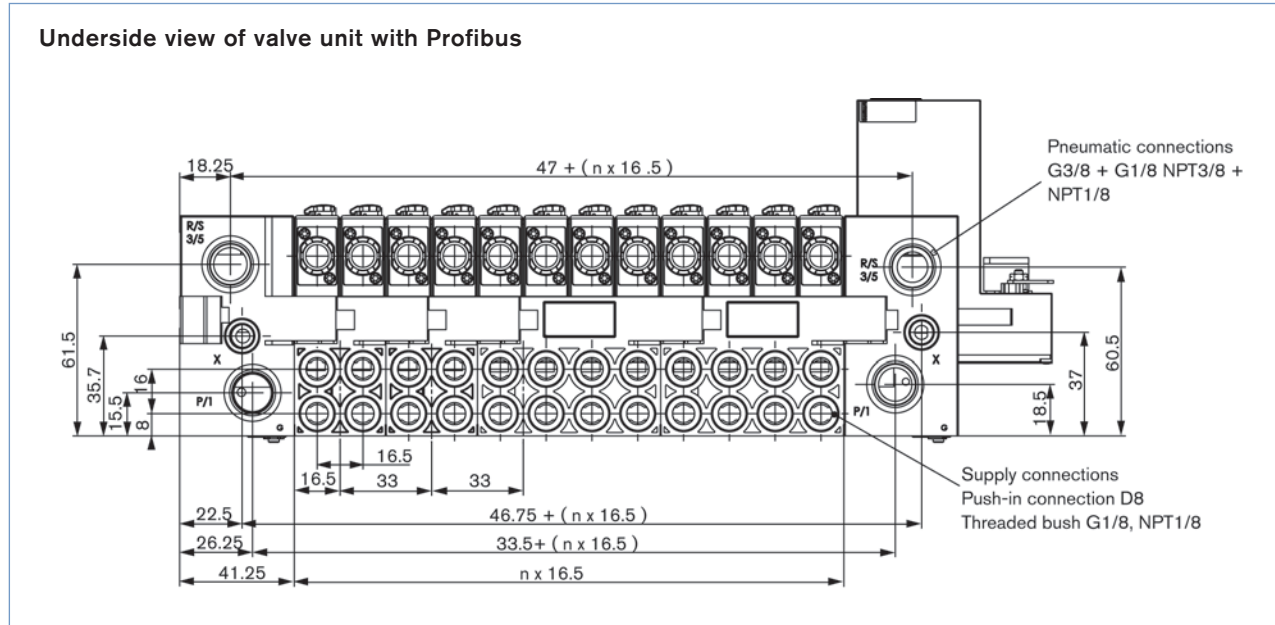
11mm mounting dimensions for Type 6524/6525, cont.

Example of valve unit with feedback, Profibus DP and RIO-Interface

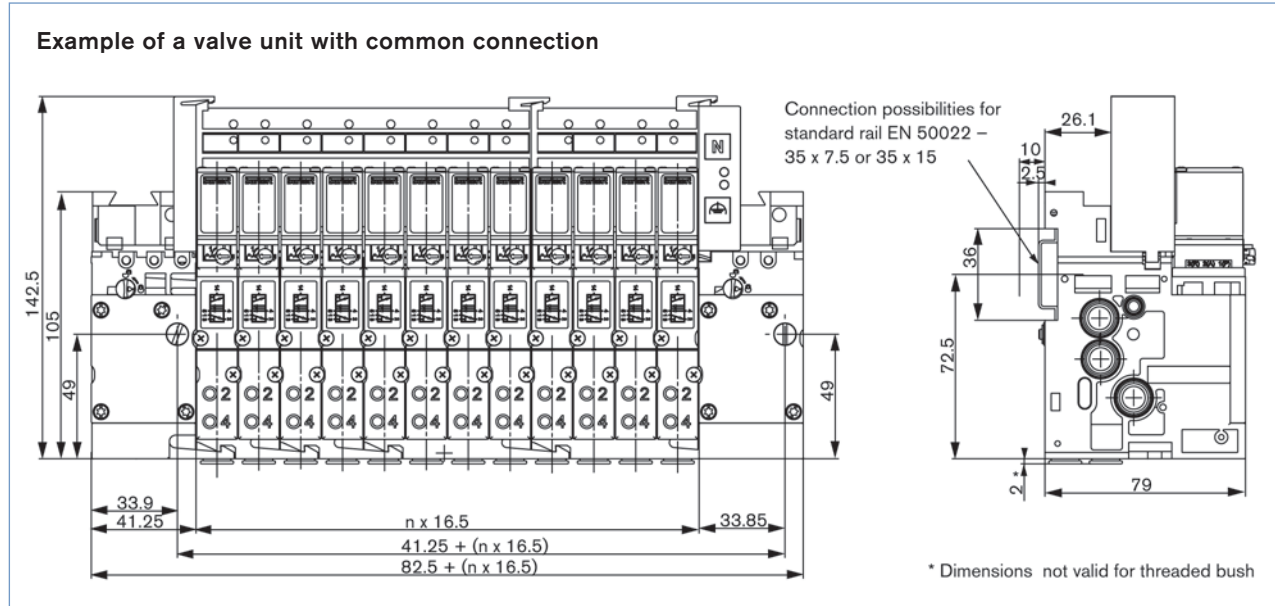


Dimensions [mm]

16.5mm mounting dimensions for Type 6526/6527



16.5mm mounting dimensions for Type 6526/6527, cont.

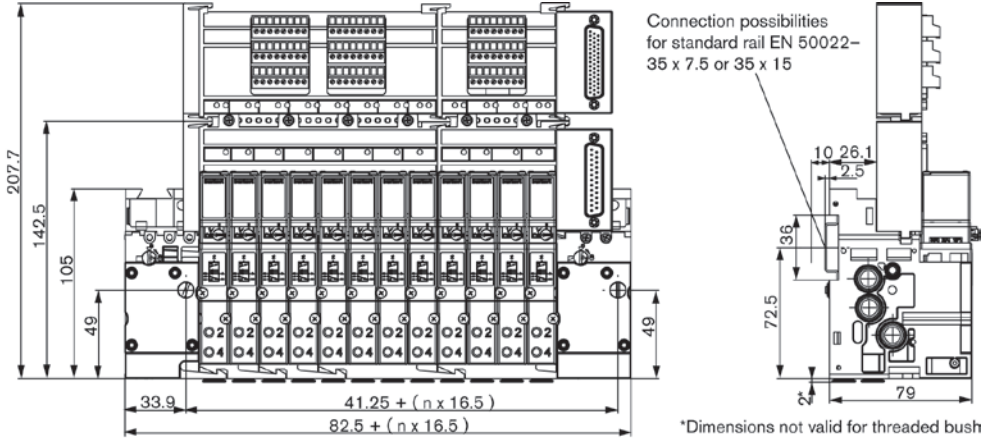


DTS 1000082387 EN Version: B Status: RL (released | freigegeben | valide) printed: 20.01.2015

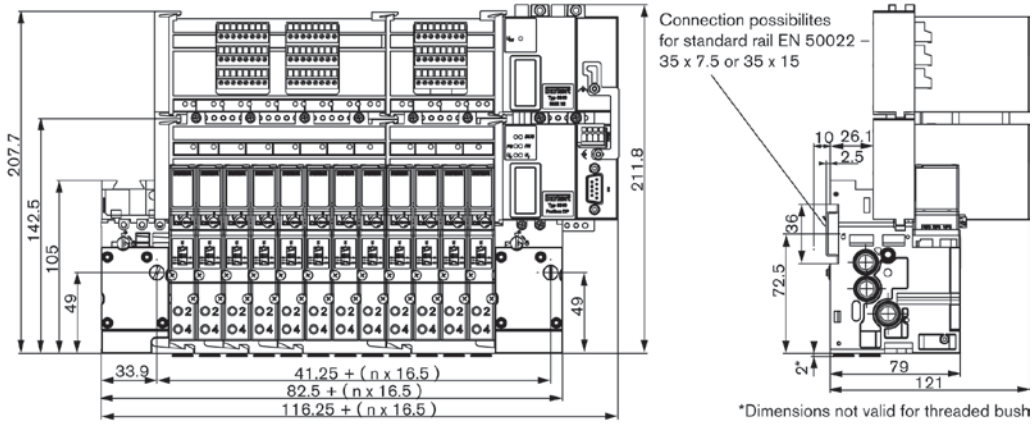


Dimensions [mm]

Example of a valve unit with repeaters and multipole connection



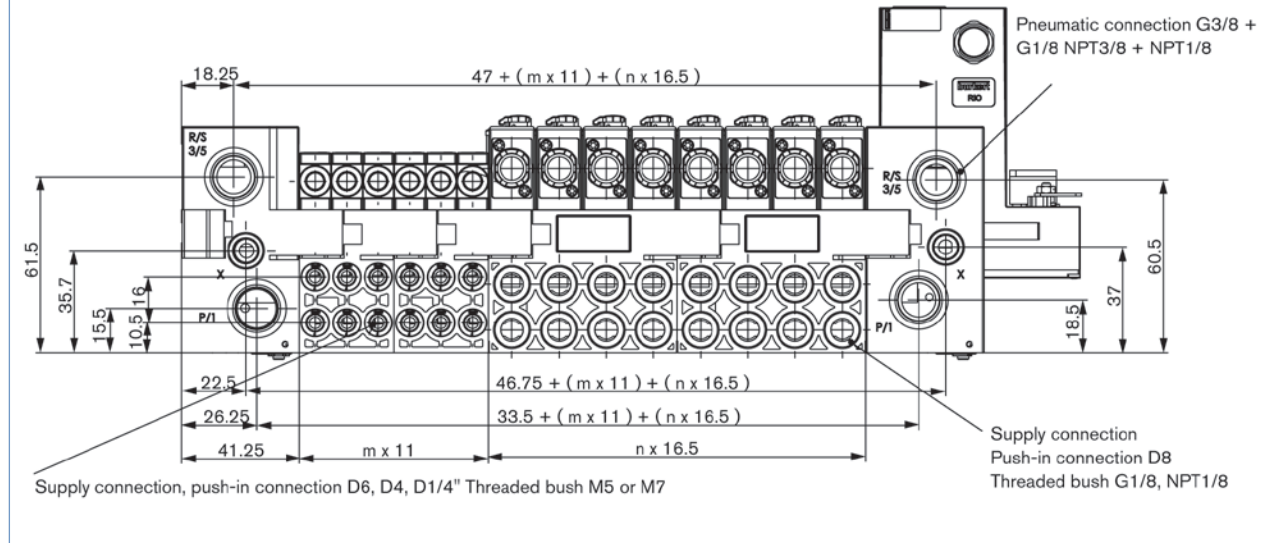
Example of valve unit with feedback and Profibus



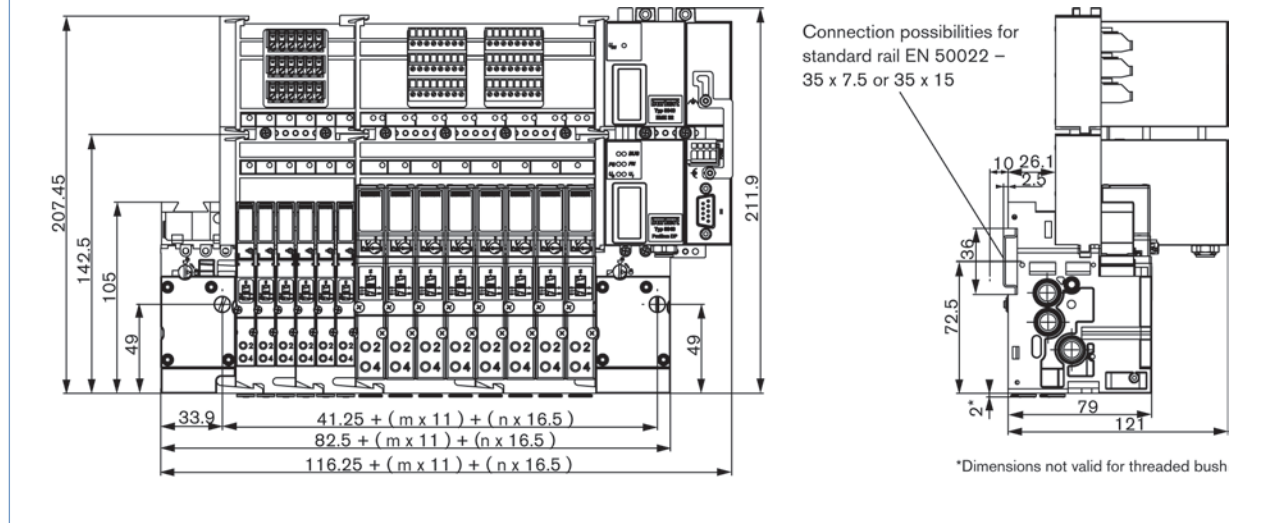
Dimensions [mm]

11mm mounting dimensions combination for Type 6524/6525 and 16.5mm for Type 6526/6527

Underside view of valve unit with Profibus and RIO-Interface

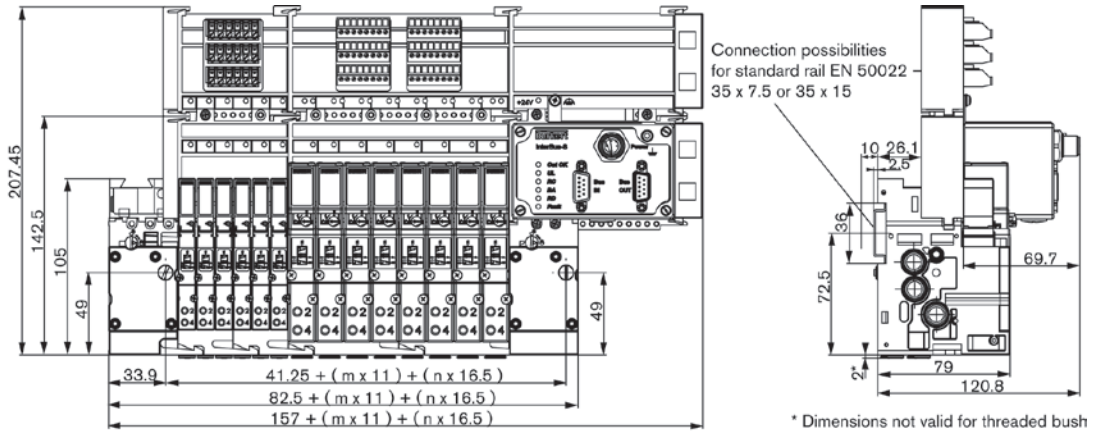


Example of valve unit with feedback, Profibus DP and RIO-Interface



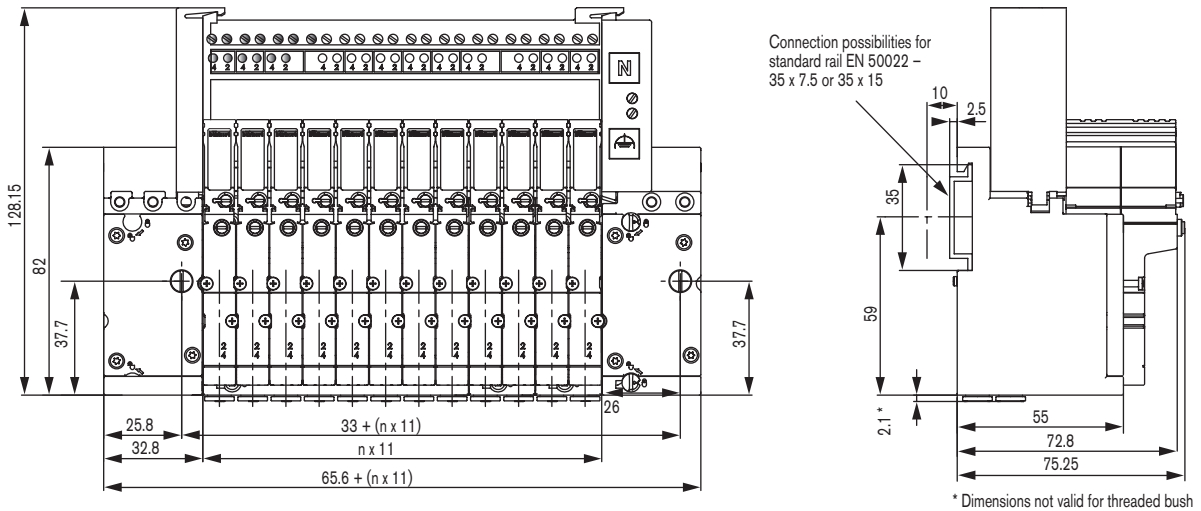
Dimensions [mm]

Example of valve unit with feedback and Interbus



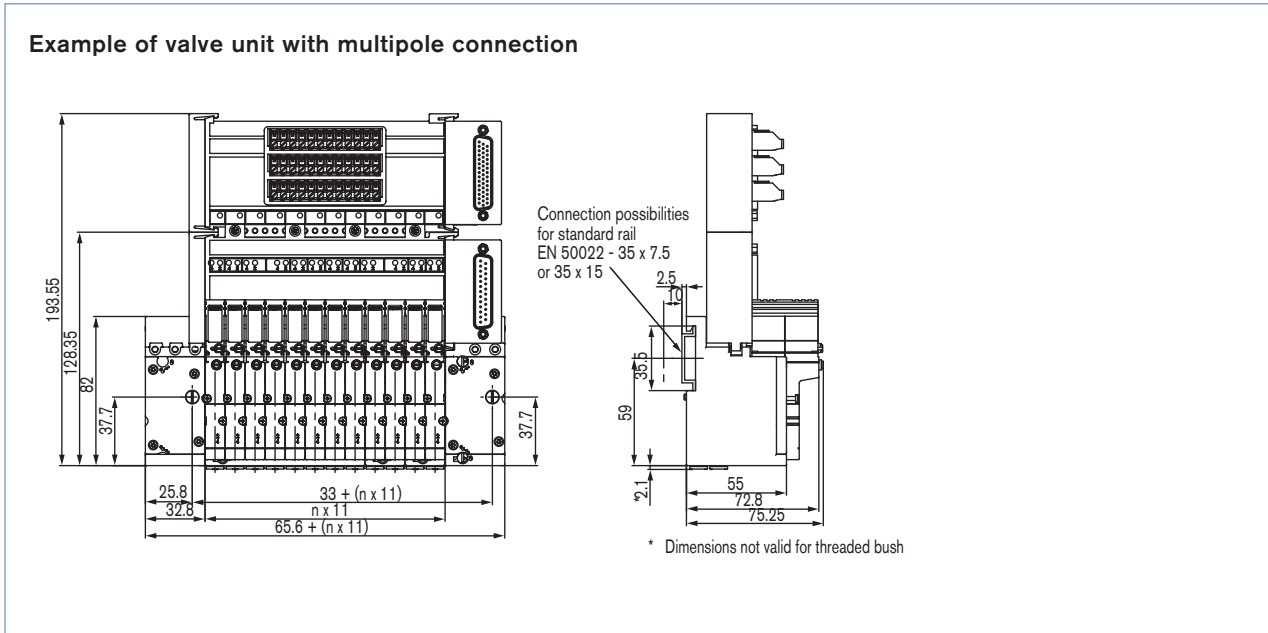
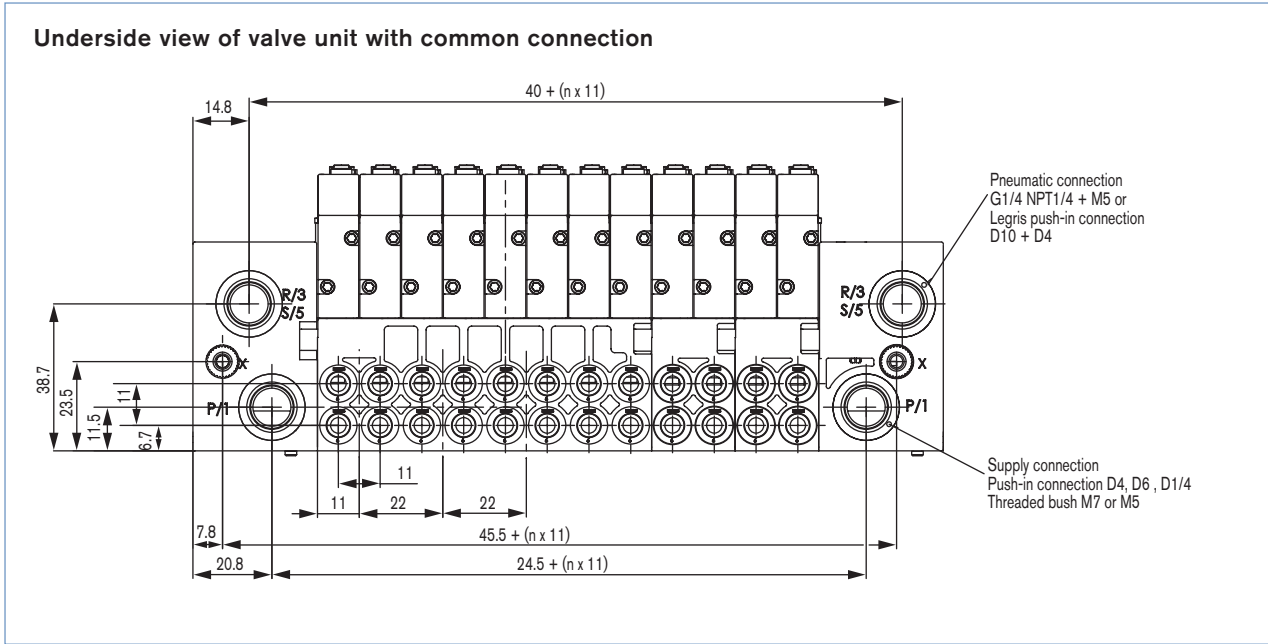
11 mm mounting dimensions for Type 6524 2 x 3/2-way valve

Example of valve unit with common connection



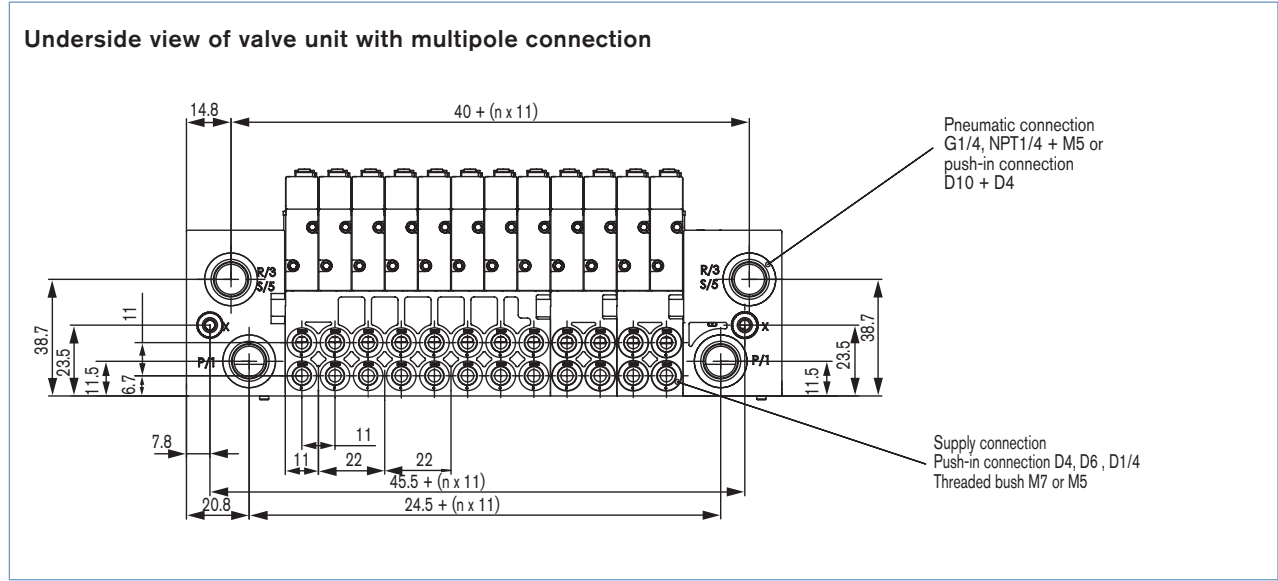
Dimensions [mm]

11 mm mounting dimensions for Type 6524 2 x 3/2-way valve



DTS 1000082387 EN Version: B Status: RL (released | freigegeben | valide) printed: 20.01.2015

Dimensions [mm]



DTS 1000082387 EN Version: B Status: RL (released | freigegeben | valide) printed: 20.01.2015