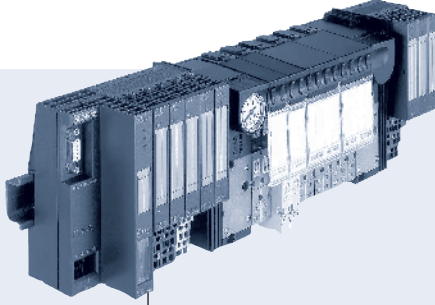


Remote Process Actuation Control System AirLINE - Siemens ET 200S

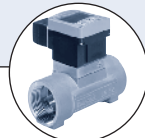


- Fully compatible with Siemens ET 200S
- Combination of Fieldbus, pilot valves and I/O modules
- High flexibility
- Optionally integrated PLC functionality
- Compact design
- High flow rate

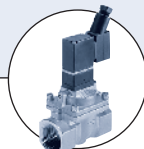
Type 8644 can be combined with...



Type 8175
Sensors



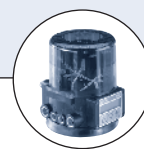
Type 8032
Switches



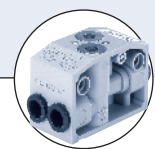
Type 6212
Solenoid valves



Type 2012
Process valves





Type 8630
Valve controllers



Type 0498
Double pilot controlled check valve

The AirLINE System integrates high performance solenoid pilot valves, remote electronic I/O and fieldbus communication into a process actuation and control system that is both compact and extremely flexible. Its modular design allows fully customized, pre-mounted and tested solutions to exactly

meet all application needs including the integration of a local Mini PLC. Due to the full electronic and mechanical integration, the valve block can be added without the need of any tools or wiring.

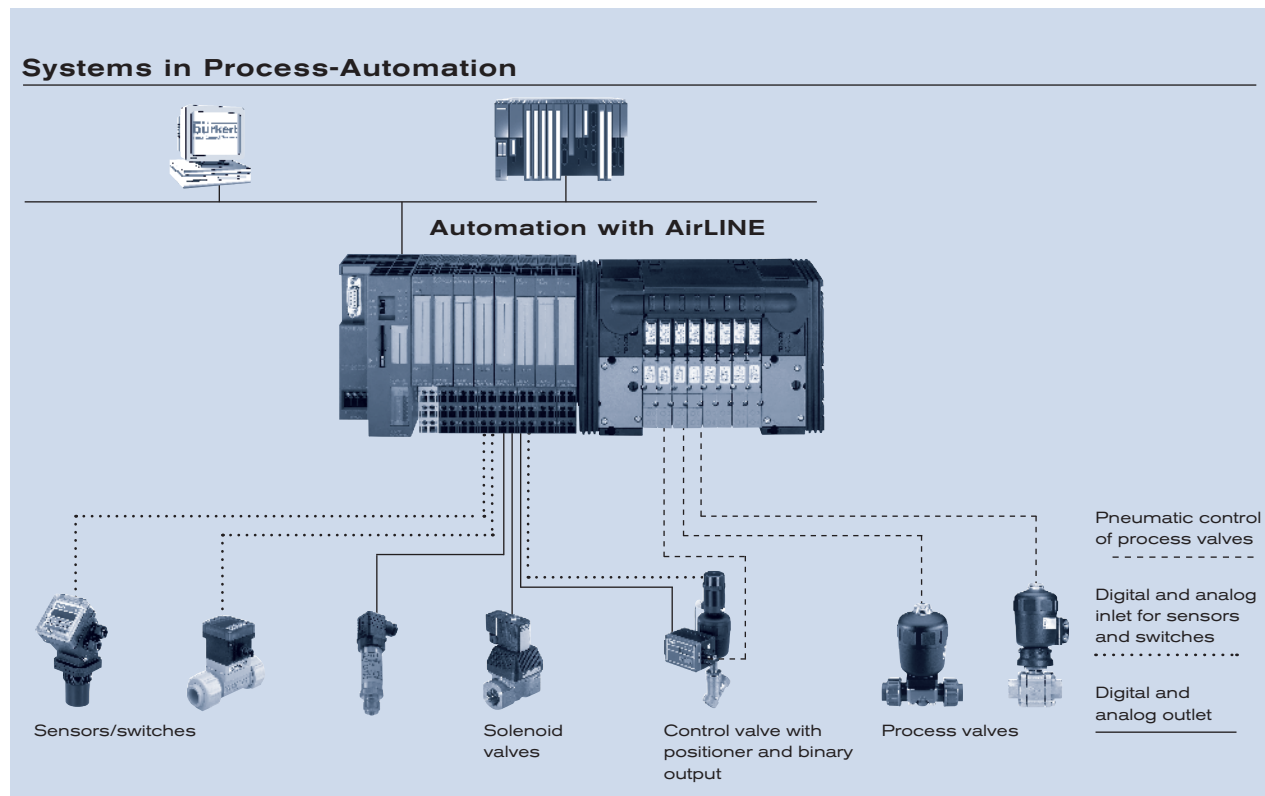
Specifications	Pilot valve type	
	0460, 6524, 6525 	0461, 6526, 6527 
Mounting dimensions	11 mm	16.5 mm
Circuit functions/ways	C (3/2) D (3/2) H (5/2) H (5/2) impulse L (5/3) in middle position all ports closed N (5/3) in middle position all ports vented	C (3/2) D (3/2) H (5/2) H (5/2) impulse L (5/3) in middle position all ports open N (5/3) in middle position all ports vented
Flow rate	300 l/min (200 l/min for functions H impulse, L and N)	700 l/min (500 l/min for functions H impulse, L and N)
Pressure range	Vac. up to 145 PSI	Vac. up to 145 PSI
Module types	2x and 4x (optional integrated check valves and p-shut-off-valve)	2x and 4x (optional integrated check valves) Combination of 11 mm modules (3 valves) and 16.5 mm modules is possible
Max. number of modules	Depending on application	Depending on application
Max. number of valves functionalities	64 (by use of Type 0460 & Type 6524 2 x 3/2-way valve: 32)	32 (by use of Type 0461: 24)
Pneumatic intermediate supply module	necessary after 24 valve functions; with 2 x 3/2-way valve: necessary after 16 valve functions	necessary after 16 valve functions

to be continued on page 2

DTS 1000082493 EN Version: A Status: RL (released | freigegeben | validé) printed: 20.01.2015

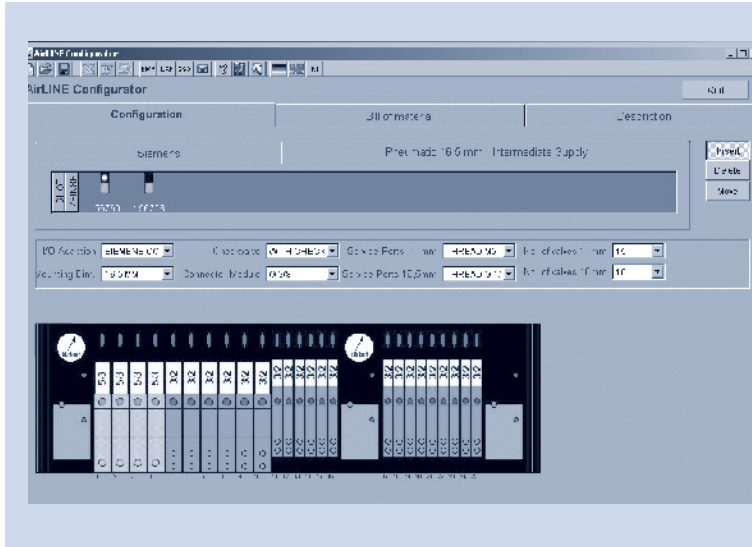
Specifications	Pilot valve type	
	0460, 6524, 6525	0461, 6526, 6527
Fieldbus type	PROFIBUS DP	PROFIBUS DP
Electrical modules	Siemens ET200S	Siemens ET200S
Digital modules	2 or 4 inputs 2 or 4 outputs, others on request	2 or 4 inputs 2 or 4 outputs, others on request
Analog modules	2 or 4 inputs (0-10 V, 0-20 mA, 4-20 mA, RTD, TC) 2 outputs (0-10 V, 0-20 mA, 4-20 mA) others on request	2 or 4 inputs (0-10 V, 0-20 mA, 4-20 mA, RTD, TC) 2 outputs (0-10 V, 0-20 mA, 4-20 mA) others on request
Operating voltage	24 V/DC	24 V/DC
Permissible voltage tolerance	+20%/-15% (by use of Type 0460: ±10%)	+20%/-15% (by use of Type 0461: ±10%)
Residual ripple	1 V _{ss}	1 V _{ss}
Rated power per valve	1 W (0.5 W nominal power after 120 ms)	2 W (1 W nominal power after 120 ms)
Rated current per valve	43 mA (28 mA holding current after 120 ms) 41 mA (by use of Type 0460)	85 mA (52 mA holding current after 120 ms) 41 mA (by use of Type 0461)
Temperatures		
Operating	32°F to 131°F (0°C to +55°C) (by use of Type 0460: 32°F to 122°F (0°C to +50°C))	32°F to 131°F (0°C to +55°C) (by use of Type 0461: 32°F to 122°F (0°C to +50°C))
Storage	-4°F to 140°F (-20°C to +60°C)	-4°F to 140°F (-20°C to +60°C)
Rating	IP20 IP65 in closed field housing	IP20 IP65 in closed field housing
Approvals for hazardous areas	Zone 2	on request

Application example



DTS 1000082493 EN Version: A Status: RL (released | freigegeben | valide) printed: 20.01.2015

Configuration software



AirLine is a system of modular design which is precisely adapted to the specific requirements of the customer. Bürkert offers a software program, the Configurator, for the simple, precise generation of the required configuration of each Airline system.

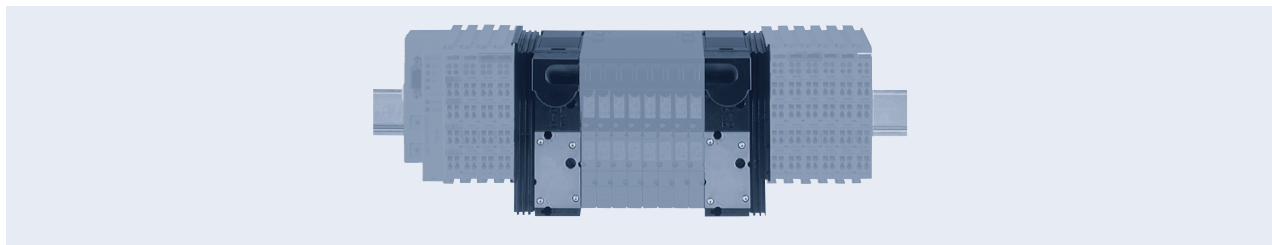
- The Bürkert Configurator defines:
- Number and types of valves
 - Type of (intermediate) supplies

- The results supplied by the Configurator:
- Bill of materials, incl. list prices
 - Illustration

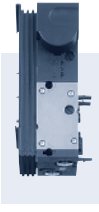
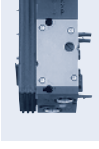
For more information consult individual datasheets, downloadable at www.burkert-usa.com

Pneumatic module and electrical interfaces for modules series Siemens ET 200S





Connector modules ME02



Connector module "left"

	Description	Port connection	Item no.
	Without pressure gauge	threaded port G 1/4	154 042
		threaded port NPT 1/4	154 044
		push-in 10 mm	154 043
	With pressure gauge	threaded port G 1/4	154 093
		threaded port NPT 1/4	154 095
		push-in 10 mm	154 094

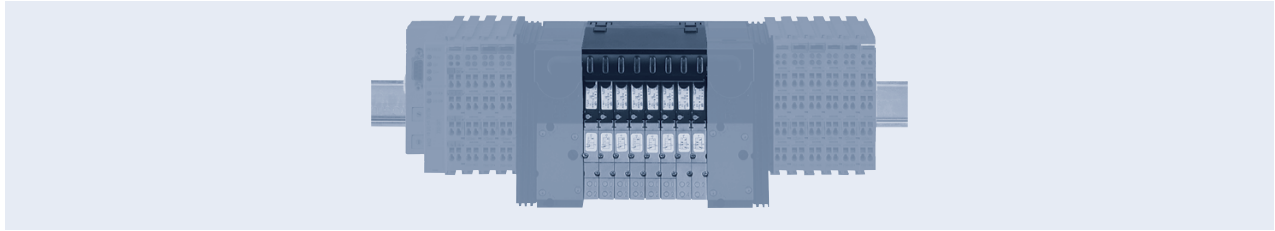
Connector module "right" and Pneumatic intermediate supply module

	Description	Port connection	Item no.
	Connector module "right"		
	Without pressure gauge	threaded port G 1/4	154 000
		threaded port NPT 1/4	154 092
push-in 10 mm		154 091	
	With pressure gauge	threaded port G 1/4	154 045
		threaded port NPT 1/4	154 047
		push-in 10 mm	154 046
Pneumatic intermediate supply module			
	Without pressure gauge	threaded port G 1/4	154 071
		threaded port NPT 1/4	154 073
		push-in 10 mm	154 072
	With pressure gauge	threaded port G 1/4	154 074
		threaded port NPT 1/4	154 076
		push-in 10 mm	154 075

DTS 1000082493 EN Version: A Status: RL (released | freigegeben | valide) printed: 20.01.2015

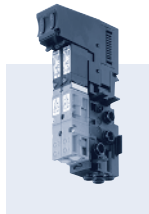
Pneumatic module and electrical interfaces for modules series Siemens ET 200S

AirLINE valve modules



Pneumatic basic module, electrical basic module and pilot valves

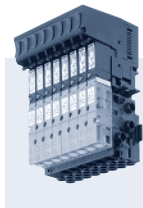
2 valves wide/2 valves wide with 2 x 3/2-way valve



Service port 2 (A), 4 (B)

Threaded port M5
Threaded port M7
Push-in \varnothing 6 mm
Push-in \varnothing 1/4"
Push-in \varnothing 5/32"

8 valves wide/8 valves wide with 2 x 3/2-way valve

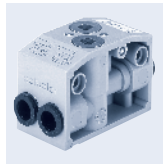


Service port 2 (A), 4 (B)

Threaded port M5
Threaded port M7
Push-in \varnothing 6 mm
Push-in \varnothing 1/4"
Push-in \varnothing 5/32"

Further pneumatic accessories

Typ 0498

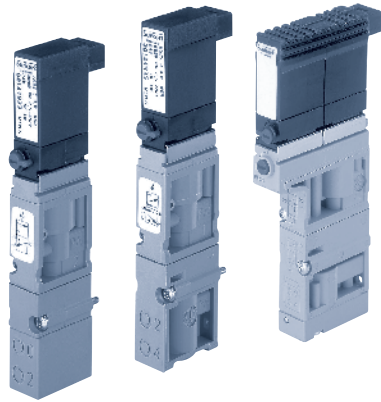


Double pilot controlled
check Valve

Available options on request

- Check valves in R, S and P-shut
- Covering plate for spare channels
- Channel separation plugs to build different pressure areas

11mm width per station: Multi-way solenoid valve Types 6524 and 6525



The solenoid valve Types 6524 and 6525 consist of a pneumatic valve body fitted with Type 6104 rocker pilot valve. The rocker principle allows switching of high pressure at low power consumption and fast response times. The pilot valves are equipped with manual override as a standard.

The 2 x 3/2-way valve version is the combination of two pilot rocker solenoid valves type 6104 and a pneumatic seat valve.

Specification	3/2-way valve	2 x 3/2-way valve
Body material	PA (polyamide)	
Seal material	FPM, NBR	
Media	Lubricated and non-lubricated dry air, neutral gases (5 µm-Filter)	
Port connection	Flange for MP11	
Manual override	As a standard feature	
Voltage	24 V DC	
Nominal power	1 W	2 x 1 W with reduction of power consumption
Duty cycle	Continuous operation (100% ED)	
Elec. connection on valve	Rectangular plug 2-pole with raster 5.08 mm	Rectangular plug 3-pole with raster 2.54 mm
Mounting	With 2 screws M2 x 20	With 2 screws M2 x 28
Installation position	As required, preferably with pilot valve upright	

Flow rate: QNn value air [l/min]	Measured at 68°F (+20°C), 87 PSI pressure at valve inlet and 14.5 PSI pressure difference
Pressure ranges [PSI]	Measured as overpressure to the atmospheric pressure
Response times [ms]	Measured according to ISO 12238

Order chart for valves

Circuit function	Orifice [mm]	C _v	Q _{Nn} -value air [l/min]	Pressure range [PSI]	Response times			Item no.
					Opening [ms]	Closing [ms]	Voltage/Frequency [V/Hz]	
C 3/2-way valve, servo-assisted in de-energized position port 2 to atmosphere	4	.28	300	Vac. - 101.5	15	20	24 V DC	153 958
				14.5 - 101.5 ¹⁾	15	20	24 V DC	150 333
				36.25 - 101.5	12	20	24 V DC	144 933
				36.25 - 145	15	28	24 V DC	148 227
D 3/2-way valve, servo-assisted in de-energized position port 2 pressurized	4	.28	300	14.5 - 101.5 ¹⁾	12	20	24 V DC	150 334
				36.25 - 101.5	12	20	24 V DC	144 934
				36.25 - 145	15	28	24 V DC	152 139
H 5/2-way valve, servo-assisted in de-energized position port 1 connected to port 2, port 4 exhausted	4	.28	300	14.5 - 101.5 ¹⁾	15	20	24 V DC	150 335
				36.25 - 101.5	15	20	24 V DC	144 935
				36.25 - 145	20	28	24 V DC	150 610
C 2 x 3/2-way valve, servo-assisted in de-energized position port 2/4 to atmosphere	4	.28	300	14.5 - 101.5 ¹⁾	12	20	24 V DC	170 269 ²⁾
				36.25 - 101.5	12	20	24 V DC	170 268 ²⁾

¹⁾ Version with auxiliary air.

²⁾ Version with integrated reduction of power consumption

11 mm width per station: Multi-way solenoid valve Types 0460



The solenoid valve Type 0460 consists of a pneumatic valve body fitted with a double coil pilot valve. The principle allows switching of high pressures together with low power consumption and fast response times. All valves are equipped with manual override as a standard.

Technical data	
Body material	Aluminium
Seal material	NBR
Media	Lubricated and non-lubricated dry air, neutral gases (5 µm-filter recommended)
Port connection	Flange
Pneumatic module	MP11
Supply port 1 (P), 3 (R), 5 (S)	G 1/4 NPT 1/4 Push-in connection Ø 10 mm
Service port 2 (A), 4 (B)	Push-in connection Ø 6 mm Push-in connection Ø 1/4" Push-in connection Ø 4 mm = ø 5/32" M5 M7
Voltage	24 V DC
Electrical connection on valve	Rectangular plug
Manual override	Standard
Flow rate: QNn-value air l / min]	Measured at 68°F (+20°C), 87 PSI pressure at valve inlet and 14.5 PSI pressure difference
Pressure ranges [PSI]	Measured as overpressure to the atmospheric pressure
Response times [ms]	Measured according to ISO 12238

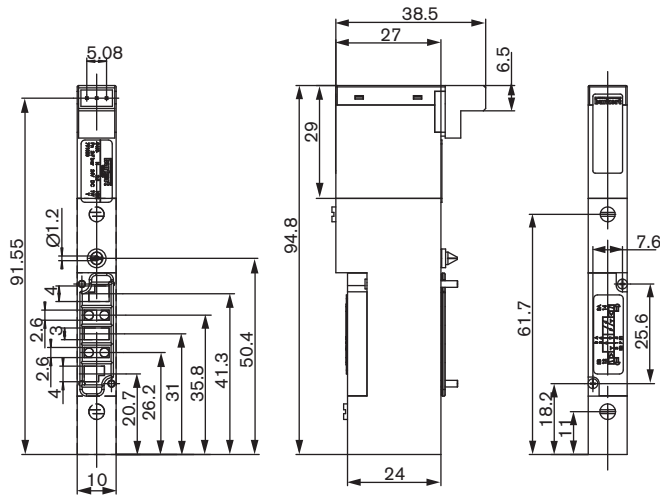
Ordering chart valves

Circuit function	Orifice [mm]	C _v	Q _{0.95} -value air [l/min]	Pressure range [PSI]	Nominal power [W]	Response times		Item no.
						Opening [ms]	Closing [ms]	
H 5/2-way valve, servo-assisted impulse version	2.5	.18	200	29 - 101.5	1	15	15	154 183
L 5/3-way valve, servo-assisted in middle position all ports blocked	2.5	.18	200	29 - 101.5	1	15	20	154 184
N 5/3-way valve, servo-assisted in middle position port 2 and 4 exhausted	2.5	.18	200	29 - 101.5	1	15	20	154 185

DTS 1000082493 EN Version: A Status: RL (released | freigegeben | validé) printed: 20.01.2015

Dimensions [mm]

5/2 way impulse and 5/3 way version, circuit function H impulse, L and N



16.5mm width per station: Multi-way for solenoid valve Types 6526 and 6527



The solenoid valve Types 6526 and 6527 consist of a pneumatic valve body fitted with Type 6106 rocker pilot valve. The rocker principle allows switching of high pressure at low power consumption and fast response times. The pilot valves are equipped with manual override as a standard.

Specification	
Body material	PA (polyamide)
Seal material	NBR
Media	Lubricated and non-lubricated dry air, neutral gases (10 µm filter)
Port connection	Flange for MP12
Manual override	Standard
Voltage	24 V DC
Nominal power	2 W, 1W
Duty cycle	Continuous operation (100% ED)
Elec. Connection on valve	Tag connector acc. to DIN EN 175301-803 (previously DIN 43650) Form C
Mounting	With 2 screws M3x30
Installation position	As required, preferably with pilot valve upright

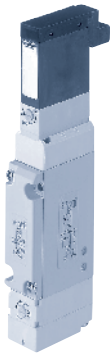
Flow rate: QNn value air [l/min]	Measured at 68°F (+20°C), 87 PSI pressure at valve inlet and 14.5 PSI pressure difference
Pressure ranges [PSI]	Measured as overpressure to the atmospheric pressure
Response times [ms]	Measured acc. to ISO 12238

Order chart for valves

Circuit functions	Orifice [mm]	C _v	Q _{max} -value air [l/min]	Pressure range [PSI]	Nominal power [W]	Response times			Item no.
						Opening [ms]	Closing [ms] ³⁾	Voltage/Frequency [V/Hz]	
C 3/2-way valve, servo-assisted in de-energized position port 2 to atmosphere	6	.64	700	14.5 - 145 ¹⁾	2	20	12	24 V DC	156 842
				14.5 - 145 ¹⁾	2	20	12	24 V DC	163 028 ²⁾
				29 - 145	2	20	12	24 V DC	156 318
				29 - 145	2	20	12	24 V DC	158 944 ²⁾
				29 - 116	1	20	17	24 V DC	156 840
				29 - 116	1	20	12	24 V DC	158 947 ²⁾
D 3/2-way valve, servo-assisted in de-energized position port 2 pressurized	6	.64	700	14.5 - 145 ¹⁾	2	12	20	24 V DC	157 672
				14.5 - 145 ¹⁾	2	20	12	24 V DC	163 029 ²⁾
				29 - 145	2	12	20	24 V DC	156 320
				29 - 145	2	12	12	24 V DC	158 946 ²⁾
				29 - 116	1	17	20	24 V DC	156 841
				29 - 116	1	20	12	24 V DC	158 948 ²⁾
H 5/2-way valve, servo-assisted in de-energized position port 1 connected to port 2, port 4 exhausted	6	.64	700	14.5 - 145 ¹⁾	2	20	12	24 V DC	156 828
				14.5 - 145 ¹⁾	2	20	12	24 V DC	163 030 ²⁾
				29 - 145	2	20	12	24 V DC	156 337
				29 - 145	2	20	12	24 V DC	158 942 ²⁾
				29 - 116	1	20	17	24 V DC	156 827
				29 - 116	1	20	12	24 V DC	158 943 ²⁾

¹⁾ version with auxiliary air
²⁾ electric connection with manual override.
³⁾ closing time approx. 5 ms higher when used together with valve unit

16.5 mm width per station: Multi-way solenoid valve Type 0461



The solenoid valve Type 0461 consists of a pneumatic valve body fitted with a double coil pilot valve. The principle allows switching of high pressures together with low power consumption and fast response times. All valves are equipped with manual override as a standard.

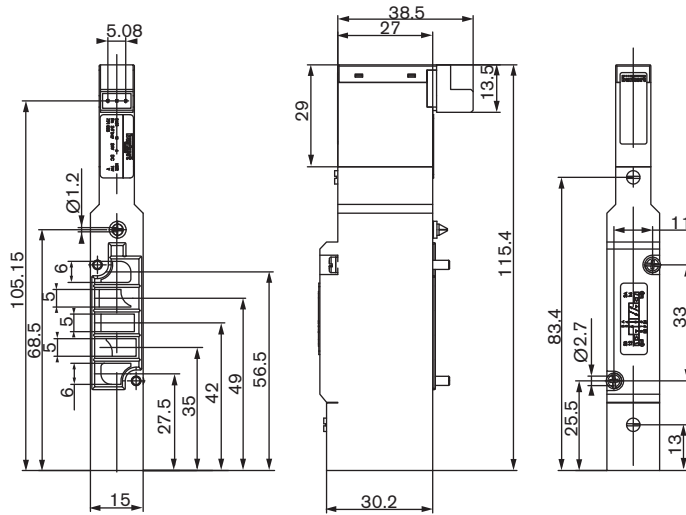
Technical data	
Body material	Aluminium
Seal material	NBR
Media	Lubricated and non-lubricated dry air, neutral gases (10 µm-filter recommended)
Port connection	Flange
Pneumatic module	MP12
Supply port 1 (P), 3 (R), 5 (S)	G 3/8 NPT 3/8
Service port 2 (A), 4 (B)	G 1/8 NPT 1/8 Push-in connection Ø 8 mm
Operating voltage	24 V DC
Electrical connection on valve	Rectangular plug
Manual override	Standard
Flow rate: QNn-value air l/min]	Measured at 68°F (+20°C), 87 PSI pressure at valve inlet and 14.5 PSI pressure difference
Pressure ranges [PSI]	Measured as overpressure to the atmospheric pressure
Response times [ms]	Measured according to ISO 12238

Ordering chart valves

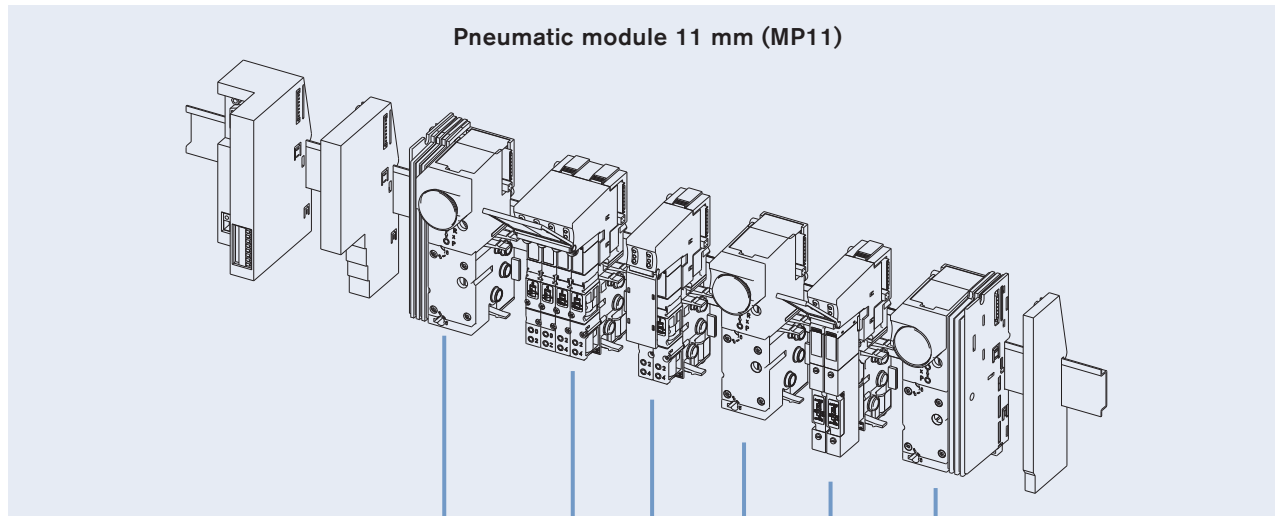
Circuit function	Orifice [mm]	C _v	Q ₉₀ -value air [l/min]	Pressure range [PSI]	Nominal power [W]	Response times		Item no.
						Opening [ms]	Closing [ms]	
<p>5/2-way valve, servo-assisted impulse version</p>	6	.46	500	36.25 - 101.5	1	20	30	156 766
<p>5/3-way valve, servo-assisted in middle position all ports blocked</p>	6	.46	500	36.25 - 101.5	1	15	50	156 767
<p>5/3-way valve, servo-assisted in middle position port 2 and 4 exhausted</p>	6	.46	500	36.25 - 101.5	1	15	50	156 768

Dimensions [mm]

5/2 way impulse and 5/3 way version, circuit function H impulse, L and N



Pneumatic modules and electrical interfaces for modules series Siemens



Pneumatic module 11 mm (MP11)

Connector module "left", with or without pressure gauge
 Threaded port G 1/4
 Threaded port NPT 1/4
 Push-in 10 mm

Connector module "right", With or without pressure gauge
 Threaded port G 1/4
 Threaded port NPT 1/4
 Push-in 10 mm

Pneumatic basic module, electrical basic module and pilot valves
4 valves wide (pneumatic 2 x 2valves wide) (4 x 11 mm)

Pneumatic basic module, electrical basic module and pilot valves
2 valves wide (2 x 11 mm)

Service port 2 (A), 4 (B)
 Threaded port M5
 Threaded port M7
 Push-in \varnothing 4 mm and 5/32"
 Push-in \varnothing 6 mm
 Push-in \varnothing 1/4"

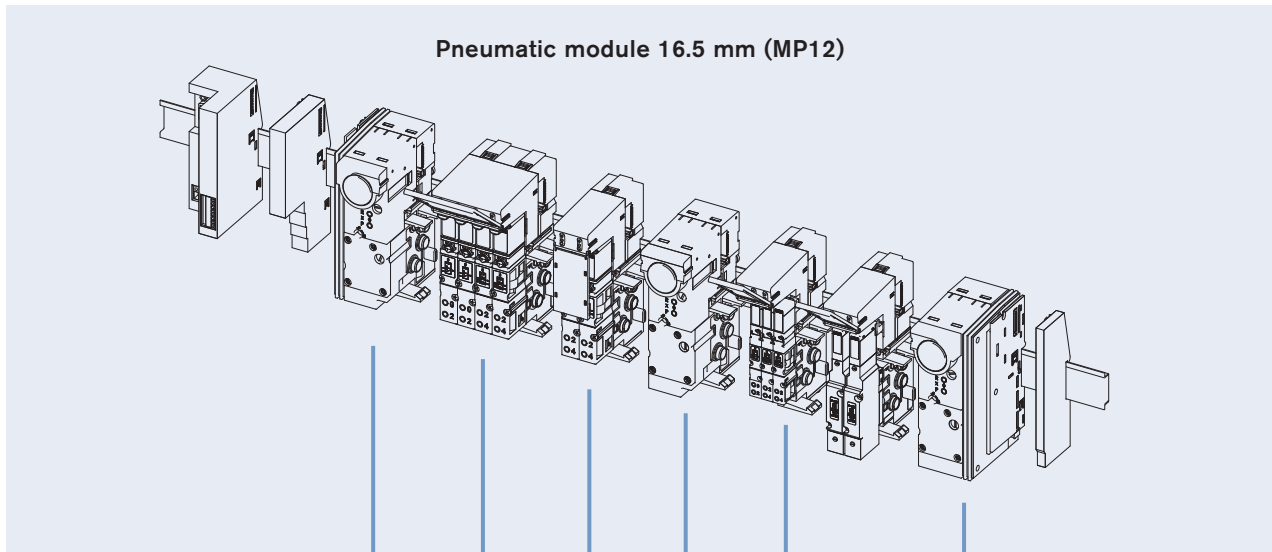
Service port 2 (A), 4 (B)
 Threaded port M5
 Threaded port M7
 Push-in \varnothing 4 mm and 5/32"
 Push-in \varnothing 6 mm
 Push-in \varnothing 1/4"

2 valves wide (2 x 11 mm)
 Service port 2 (A), 4 (B)
 Threaded port M5
 Threaded port M7
 Push-in \varnothing 4 mm and 5/32"
 Push-in \varnothing 6 mm
 Push-in \varnothing 1/4"

Intermediate supply module, with or without pressure gauge
 Threaded port G 1/4
 Threaded port NPT 1/4
 Push-in 10 mm

DTS 1000082493 EN Version: A Status: RL (released | freigegeben | valide) printed: 20.01.2015

Pneumatic modules and electrical interfaces for modules series Siemens



Pneumatic module 16.5 mm (MP12)

**Connector module "left",
With or without pressure gauge**

Threaded port G 3/8
Threaded port NPT 3/8

**Pneumatic basic module, electrical
basic module and pilot valves**

4 valves wide (4 x 16.5 mm)

Service port 2 (A), 4 (B)
Threaded port G1/8
Threaded port NPT1/8
Push-in \varnothing 8 mm and \varnothing 5/16"

2 valves wide (2 x 16.5 mm)

Service port 2 (A), 4 (B)
Threaded port G1/8
Threaded port NPT1/8
Push-in \varnothing 8 mm and \varnothing 5/16"

**Connector module "right",
With or without pressure gauge**

Threaded port G 3/8
Threaded port NPT 3/8

**Pneumatic basic module, electrical
Basic module and pilot valves**

3 valves wide (3 x 11 mm)

Service port 2 (A), 4 (B)
Threaded port M5
Threaded port M7
Push-in \varnothing 6 mm

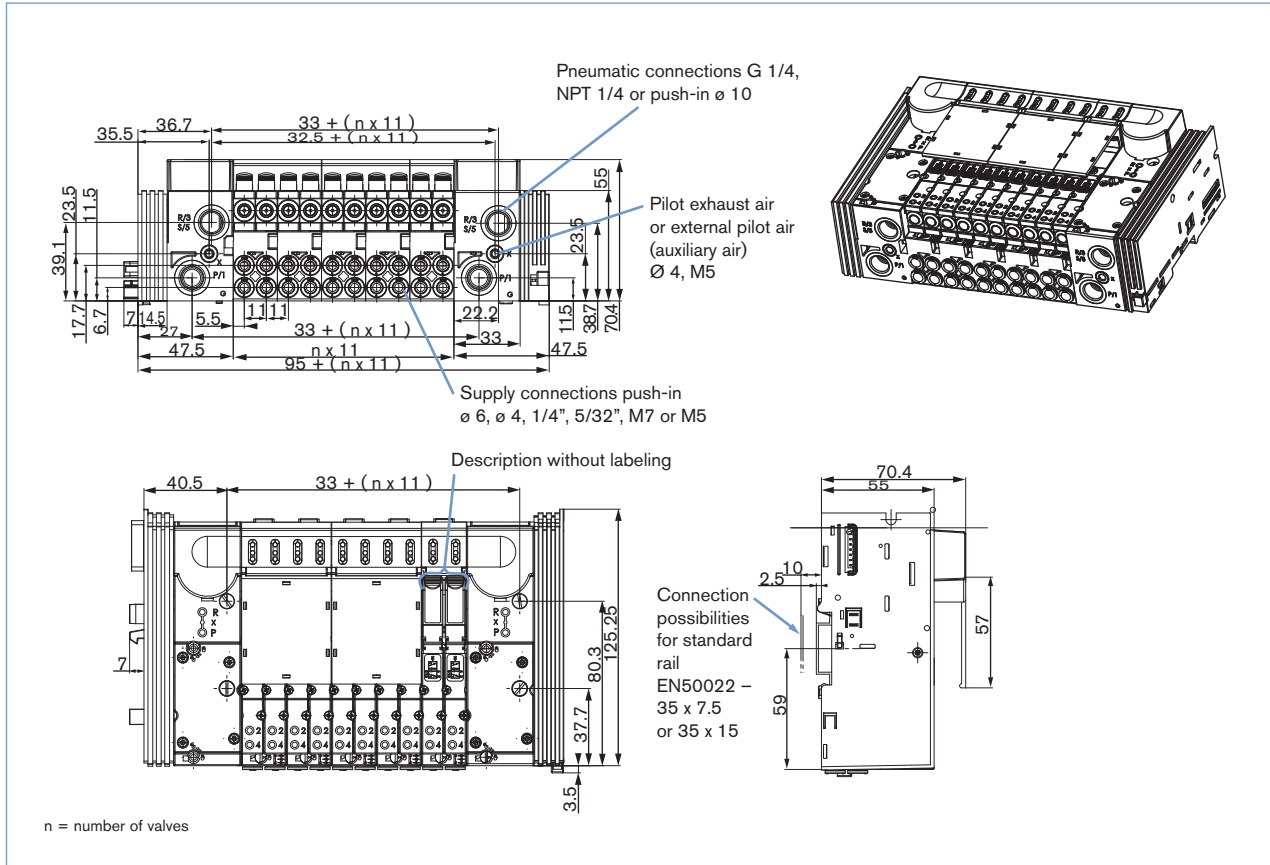
**Intermediate supply module,
With or without pressure gauge**

Threaded port G 3/8
Threaded port NPT 3/8

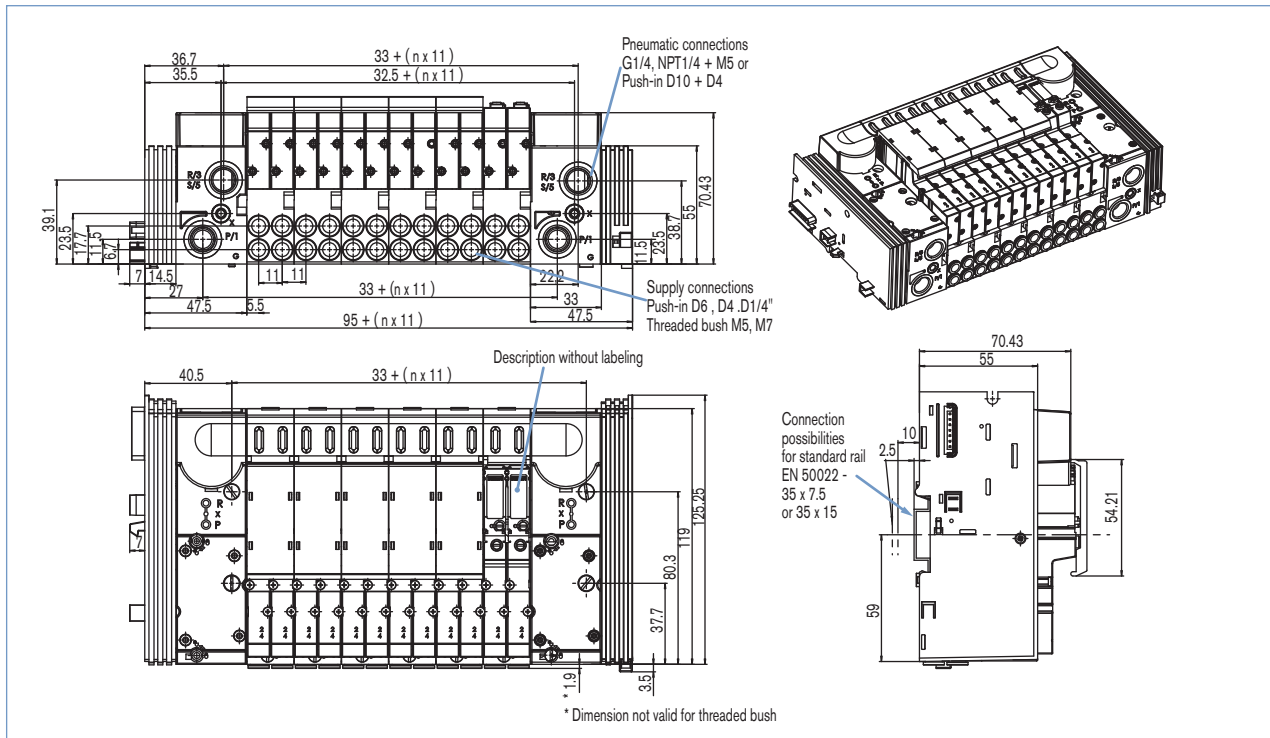
DTS 1000082493 EN Version: A Status: RL (released | freigegeben | validé) printed: 20.01.2015

Dimensions [mm]

11 mm mounting dimensions for Type 6524 / 6525



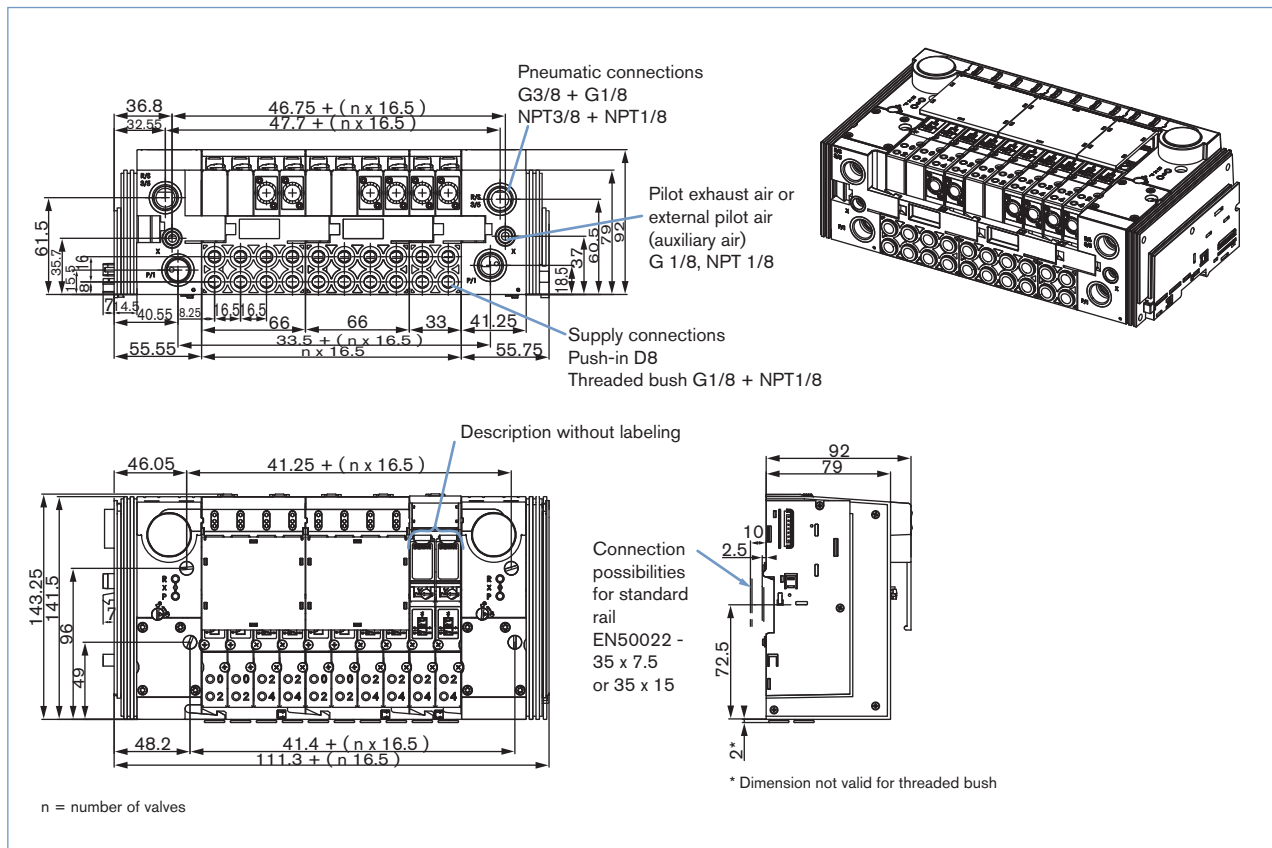
11 mm mounting dimensions for Type 6524 2 x 3/2-way valve



DTS 1000082493 EN Version: A Status: RL (released | freigegeben | valide) printed: 20.01.2015

Dimensions [mm]

16.5 mm mounting dimensions for Type 6526 / 6527



DTS 1000082493 EN Version: A Status: RL (released | freigegeben | valide) printed: 20.01.2015