

Control Head for the integrated mounting on process valves



Type 8691 can be combined with...



Type 2100

Angle-seat valve



Type 2101

Globe valve



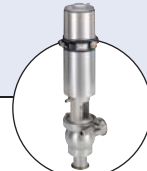
Type 2103

Diaphragm valve



Type 2000

Angle-seat valve



Hygienic process valves

- Compact stainless steel design
- Integrated analogue valve position registration (Teach function)
- Coloured illuminated status display
- Internal control air channel
- Fieldbus interface AS-Interface/DeviceNet (option)
- With ATEX II cat. 3G/D approval

The 8691 control head is optimised for integrated mounting on the 21XX process valve series. The registration of the valve end position is done through a contact-free analog position sensor, which automatically recognises and saves the valve end position through the Teach function when starting up. The integrated pilot valve controls single or double-acting actuators. As an option a fieldbus interface, AS-Interface or DeviceNet, can be chosen.

The design of the control unit and the actuator enables an internal control air channel without external tubings. Besides the electrical position feedback signal the status of the device is shown directly on the control head itself through coloured powerful LEDs showing a clear visible valve position status, even under dirty or dark environments.

The housing is easy to clean and features proven electrical IP protection and chemically resistant materials for use in hygienic processing in food, beverage and pharmaceutical industries. Focused on wash down applications the IP rating is supported by a positive pressure inside the control head. Combined with Bürkert ELEMENT actuators the unique pilot valve system enables a compressed air recycling that avoids actuator chambers contamination from the environment.

| Technical data | |
|-----------------------------------|--|
| Material | Body Cover Sealing |
| | PPS, stainless steel PC EPDM |
| Control medium | Dust concentration Particle density Pressure condensation point Oil concentration |
| | neutral gases, air DIN ISO 8573-1 Class 5 (<40µm particle size) Class 5 (<10mg/m ³) Class 3 (<-20°C) Class 5 (<25mg/m ³) |
| Supply pressure | 3 to 7 bar ¹⁾ |
| Air input filter | Mesh aperture |
| | exchangeable ~0.1mm |
| Pilot air ports | Threaded ports G1/8, stainless steel or push-in connector (tube Ø 6mm or 1/4") |
| Position feedback | Analogue position sensor (contact-free) with teach function; switchpoint (PNP) (NPN on request) |
| Stroke range valve spindle | 2,5 to 45 mm |
| Ambient temperature | with pilot valve Without pilot valve |
| | -10 to +55 °C -20 to +60 °C |
| Installation | As required, preferably with actuator upright |
| Protection type | IP65 and IP67 according to EN 60529, Type 4X |
| Protection class | 3 according to VDE 0580 |
| Fieldbus communication | AS-Interface, DeviceNet |
| Conformity | according to CE in compliance with EMV2004/108/EG |
| Approvals | ATEX II cat. 3G/D cULus Cert. No. 238179 |
| Ignition protection | II 3D Ex tc IIIC T135 °C Dc II 3G Ex nA IIC T4 Gc |
| Electrical connection | Multipole Cable gland |
| | M12, 8-pins, M12 4-pins (AS-Interface), M12 5-pins (DeviceNet) M16x1,5 |

1) The supply pressure has to be 0,5 - 1 bar above the minimum required pilot pressure for the valve actuator.

Technical data, continued

Without fieldbus communication

| Technical data | |
|--------------------------------|--|
| Power supply | 24 VDC $\pm 10\%$ UL: NEC Class 2 |
| Residual ripple with DC | 10% |
| Power consumption | < 2 W |
| Electrical connection | |
| Multipole | M12, 8-pole |
| Cable gland | M16x1.5 (cable- $\varnothing 10\text{mm}$), terminal screws (1.5mm ²) |

With fieldbus communication; AS-Interface

| Technical data | |
|---|--|
| Profile | S-B.A.E. (A/B slave, max. 62 slaves/master) Certificate No. 77601 acc. to version 3.0 |
| Power supply through bus line separated from bus signal | 29.5 to 31.6 VDC, UL: NEC Class 2 according to specification on request |
| Power consumption Units without external power supply Max. power consumption Power consumption in normal operation (after current reduction; Valve + 1 end position achieved) | 120 mA 90 mA |
| Units with external power supply External power supply The power supply unit must contain one secured disconnection acc. to IEC 364-4-41 (PELV or SELV) Max. power consumption Max. power consumption from ASI | 24 V $\pm 10\%$ 55 mA (after power reduction ≤ 30 mA) 55 mA |
| Output Contact rating Watch-dog function | $\leq 1\text{W}$ over AS-Interface integrated |
| Input Sensor operating voltage Ampacity Switching level High Input current High Input current Low | 24 V $\pm 10\%$ (over AS-Interface) ≤ 50 mA short-circuit-proof ≥ 10 V limited to 6,5 mA ≤ 1.5 mA |
| Electrical connection | M12 4-pins |
| Programming data | see operating instructions |

With fieldbus communication; DeviceNet

| Technical data | |
|---|---|
| Profile | Group 2 Only Slave Device; MAC-ID and transfer rate adjustable through DIP-switch |
| Power supply | 11 to 25 VDC UL: NEC Class 2 |
| Power consumption | ≤ 80 mA |
| Output Inrush current Hold current | ≤ 50 mA ≤ 30 mA |
| Input "0" "1" | 0 to 1.5 V ≥ 8 V |
| Electrical connection | M12-Micro Style - flange connector 5-pins (configuration according DeviceNet-specification) |

Ordering information for process valve system with integrated control head

A complete process valve system consists of a Control Head Type 8691 and a process valve Type 21xx or 20xx.

The following information is necessary for the selection of a complete system:

• **Item no.** of the desired Control Head **Type 8691** (see ordering chart on p. 4)

• **Item no.** of the desired process valve **Type 21xx or Type 20xx**

(see separate datasheet for e.g. Types 2100, 2101, 2103 and 2000, 2012, 2031)

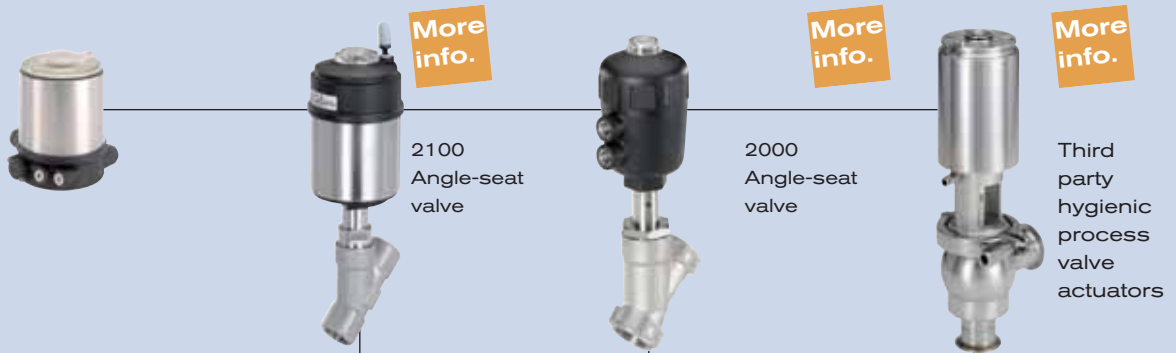
You order two components and receive a complete assembled and certified valve.

When you click on the orange box "More info." below, you will come to our website for the resp. product where you can download the datasheet.

Example of variations of process valve systems

Control Head Type 8691

Desired process valve, example



Complete process valve system



**Process valve system
On/Off ELEMENT
Type 8801-YE-H
2100+8691**

**Process valve system
On/Off Classic
Type 8801-YA-H
2000+8691**

**Customised attach-
ment to third party
actuators***

*please see datasheet 8681/ELEMENT installation kits to third party process valves or contact your sales office for related drawings or individual engineering support

Ordering chart Type 8691 (other versions on request)

| Communi- cation | Electrical connection | Control function | Pilot air ports threaded ports | Item no. | | |
|---|---|---------------------|--------------------------------------|-----------------|--------------------------|---------|
| Actuator series ELEMENT Type 21xx process valves | | | | Standard | ATEX II cat. 3G/D | |
| AS-Interface S-B.A.E | M12 multipole | single-acting | G1/8 | 227 254 | 264 988 | |
| | | double-acting | G1/8 | 227 240 | 264 975 | |
| | M12 connector / flat cable clip / 80cm cable | single-acting | G1/8 | 227 258 | 264 990 | |
| | | double-acting | G1/8 | 227 244 | 264 977 | |
| DeviceNet | M12 multipole | single-acting | G1/8 | 227 255 | 264 989 | |
| | | double-acting | G1/8 | 227 241 | 264 976 | |
| | M12 multipole | single-acting | G1/8 | 227 262 | 264 992 | |
| | | double-acting | G1/8 | 227 248 | 264 979 | |
| | | | G1/8 | 246 211 | 264 972 | |
| | Cable gland | single-acting | G1/8 | 227 260 | 264 991 | |
| | | double-acting | G1/8 | 227 246 | 264 978 | |
| | | | G1/8 | 264 943 | 264 971 | |
| | Actuator series CLASSIC Type 20xx process valves | | | | | |
| | AS-Interface S-B.A.E | M12 multipole | single-acting | G1/8 | 227 265 | 264 993 |
| double-acting | | | G1/8 | 227 250 | 264 982 | |
| M12 connector / flat cable clip / 80cm cable | | single-acting | G1/8 | 237 659 | 264 995 | |
| | | double-acting | G1/8 | 264 981 | 264 985 | |
| DeviceNet | M12 multipole | single-acting | G1/8 | 227 266 | 264 994 | |
| | | double-acting | G1/8 | 227 251 | 264 983 | |
| | M12 multipole | single-acting | G1/8 | 227 272 | 264 997 | |
| | | double-acting | G1/8 | 264 980 | 264 987 | |
| | | | | 265 937 | 264 974 | |
| | Cable gland | | | 238 078 | 264 973 | |
| | | single-acting | G1/8 | 227 270 | 264 996 | |
| | | double-acting | G1/8 | 227 252 | 264 986 | |

Note: All non-ATEX versions are UL approved.

Further versions on request



Approvals
FM



Additional
push-in pilot air ports (tube Ø 6mm / 1/4")

Ordering chart adapter kit (has to be ordered separately)

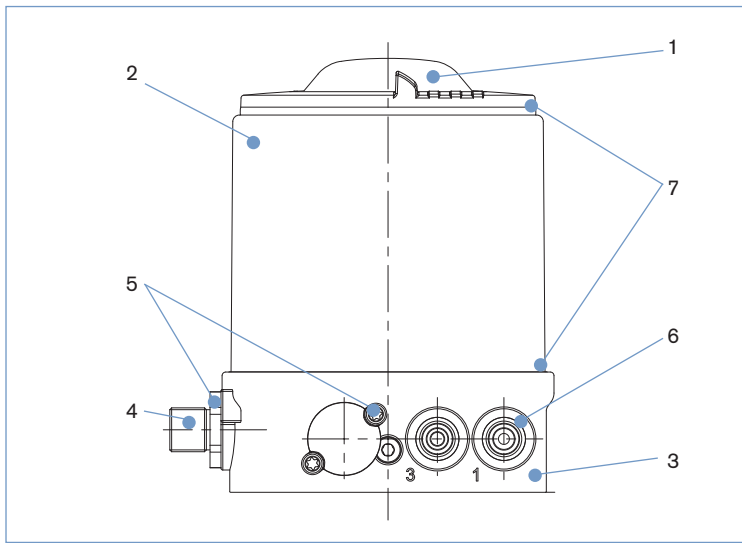
| Description | Actuator size | Control function | Item no. |
|-----------------------------------|-------------------------------------|-------------------------------------|----------|
| Adapter kit ELEMENT Typ 21xx | Ø70 / 90 / 130mm | universal | 679 917 |
| Adapter kit CLASSIC types 20xx | Ø63 mm | universal | 679 921 |
| | | 8691 feedback (without pilot valve) | 679 937 |
| | Ø80 mm | universal | 679 922 |
| | | 8691 feedback (without pilot valve) | 679 938 |
| | Ø100 mm | universal | 679 923 |
| | | 8691 feedback (without pilot valve) | 679 939 |
| | Ø125 mm | universal | 679 924 |
| | | 8691 feedback (without pilot valve) | 679 939 |
| Ø175/225 mm | universal | 679 925 | |
| | 8691 feedback (without pilot valve) | 679 940 | |

For installation kits to 3rd party process valves please see datasheet installation kits for hygienic process valves or contact your sales office for related drawings or individual engineering support

Ordering chart accessories

| Description | Item no. |
|--|----------|
| M12 socket, 8-pins, 5m assembled cable | 919 267 |
| M12 socket, 4-pins, 5m assembled cable | 918 038 |
| M12 socket, 5-pins, 5m assembled cable | 264 606 |
| ASI flat cable clip with stainless steel socket M12 (spare part) | 799 646 |
| Silencer G1/8 | 780 779 |
| Silencer, push-in connector | 902 662 |
| Sensor puck (spare part) | 682 240 |

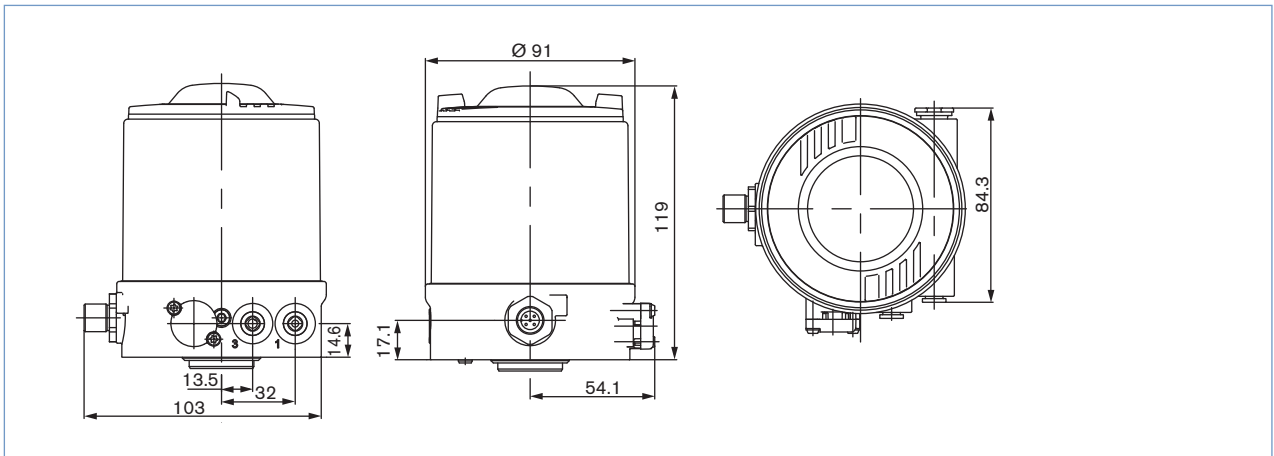
Materials



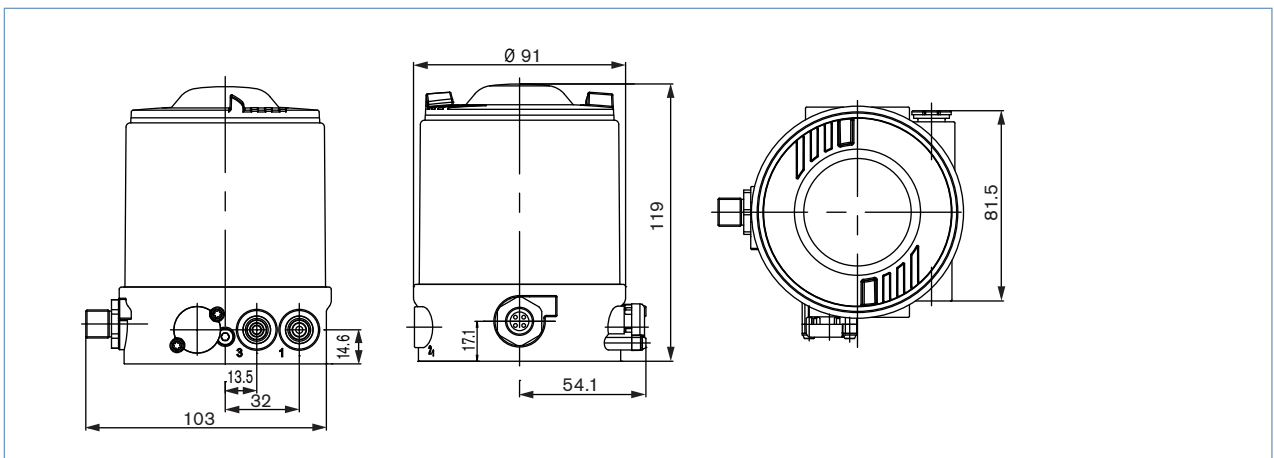
- | | | |
|---|---------------------|---------------------|
| 1 | Cover | PC |
| 2 | Housing | Stainless steel |
| 3 | Basic body | PPS |
| 4 | Plug M12 | Stainless steel |
| 5 | Screws | Stainless steel |
| 6 | Push-in connector | POM/Stainless steel |
| | Threaded ports G1/8 | Stainless steel |
| 7 | Sealing | EPDM |

Dimensions [mm]

Mounting on process valve ELEMENT Types 21XX



Mounting on process valve CLASSIC Types 20XX



Mounting on 3rd party hygienic process valves



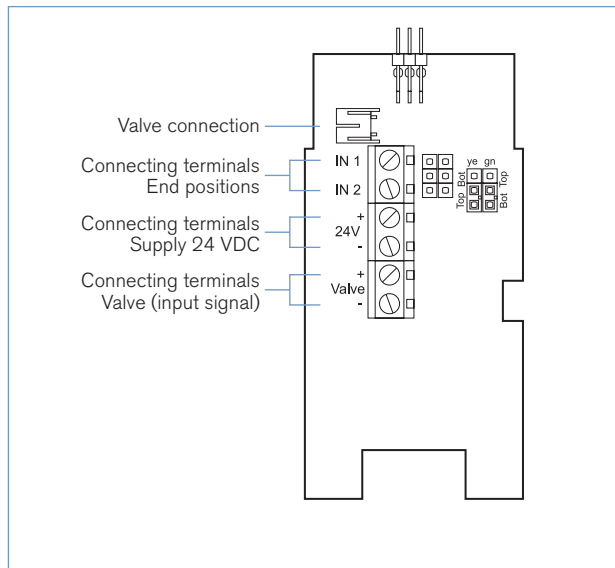
More info.

Type 8681

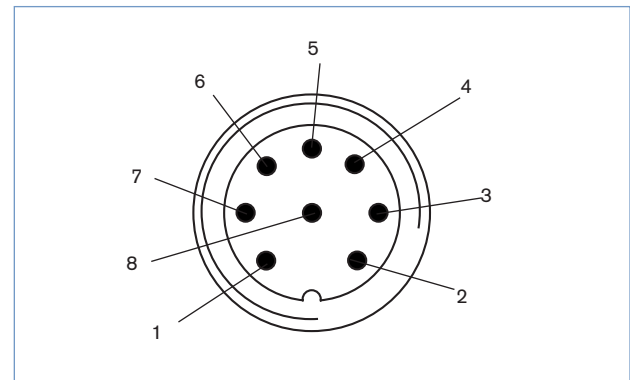
*please see datasheet 8681/ELEMENT installation kits to third party process valves or contact your sales office for related drawings or individual engineering support

Connection options

Without fieldbus communication
Cable gland



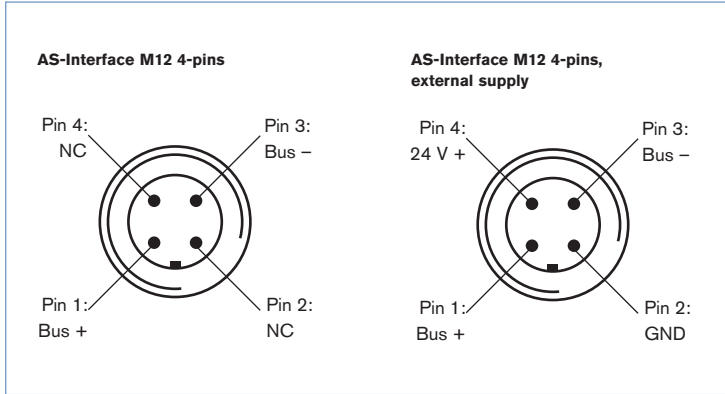
24 V DC
Multipole connection M12, 8-pins



| Pin | Description | Configuration |
|-----|---------------------|---------------|
| 1 | Limit switch 1 | IN 1 / TOP |
| 2 | Limit switch 2 | IN 2 / BOTTOM |
| 3 | Power supply | GND |
| 4 | Operating voltage + | 24 V DC |
| 5 | Valve control + | Valve + |
| 6 | Valve control - | Valve - |
| 7 | n.a. | not assigned |
| 8 | n.a. | not assigned |

Connection options, continued

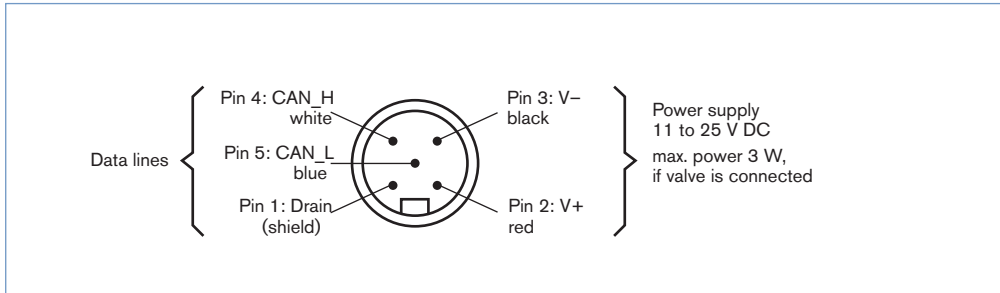
With fieldbus communication AS-Interface
Version with Multipole fitting connector



Version with flat cable clip



With fieldbus communication DeviceNet



DTS 1000110599 EN Version: L Status: RL (released | freigegeben | valide) printed: 19.01.2015

To find your nearest Bürkert facility, click on the orange box → www.burkert.com