





Servo-assisted 2/2-way diaphragm valve

- Servo-assisted diaphragm valve with nominal diameter of up to DN 40
- Spring coupled diaphragm opens without differential pressure
- Damped design for low noise
- High flow rate with compact design
- Energy-saving double coil technology with Kick and Drop variant

Product variants described in the data sheet may differ from the product presentation and description.

Can be combined with

| | | |
|---|---|---|
|  | Type 2518 Cable plug, form A according to DIN EN 175301 - 803 | ▶ |
|  | Type 1087 Timer, form A according to DIN EN 175301 - 803 | ▶ |
|  | Type 2509 Cable plug, form A according to DIN EN 175301 - 803 | ▶ |

Type description

The 6213 EV valve is a servo-assisted diaphragm valve. The diaphragm spring coupling supports the opening process of the valve. In its standard version, the valve is suitable for use in liquids. A minimum differential pressure is required for complete opening. A special version (HP00) which opens the valve without differential pressure is available for gas and vacuum applications. Various diaphragm material combinations are available depending on the application. The range of housings includes brass, stainless steel and gunmetal. Dezincification-resistant brass is available for other markets. To reduce power consumption in operation, coils with Kick and Drop electronics assembly (double coil technology) are available.

Table of contents

| | |
|---|-----------|
| 1. General technical data | 4 |
| 2. Circuit functions | 5 |
| 3. Approvals and conformities | 5 |
| 3.1. General notes..... | 5 |
| 3.2. Conformity | 5 |
| 3.3. Standards..... | 5 |
| 3.4. Explosion protection | 6 |
| 3.5. North America (USA/Canada) | 6 |
| 3.6. Drinking water | 6 |
| 3.7. Others | 7 |
| Fire protection on railway vehicles..... | 7 |
| Safety shut-off valves | 7 |
| VDE – Certificate of conformity with factory surveillance..... | 7 |
| 4. Materials | 8 |
| 4.1. Bürkert resistApp | 8 |
| 4.2. Material specifications | 8 |
| 5. Dimensions | 9 |
| 5.1. Standard version with brass and stainless steel body..... | 9 |
| 5.2. Gunmetal version with external thread | 10 |
| 5.3. Coil dimension | 11 |
| 5.4. ATEX/IECEX version | 12 |
| 5.5. ATEX version with terminal box (HP00 version) | 13 |
| 6. Performance specifications | 14 |
| 6.1. Power consumption standard version | 14 |
| 6.2. Power consumption with Kick and Drop coil..... | 14 |
| 7. Product accessories | 15 |
| 7.1. Cable glands for ATEX/IECEX terminal box | 15 |
| 7.2. Special tool to turn the terminal box..... | 15 |
| 8. Ordering information | 16 |
| 8.1. Bürkert eShop..... | 16 |
| 8.2. Bürkert product filter..... | 16 |
| 8.3. Bürkert Product Enquiry Form | 16 |
| 8.4. Ordering chart | 17 |
| Standard version with brass body | 17 |
| Standard version with drinking water approval according to UBA..... | 18 |
| HP00 version with brass body | 18 |
| HP00 version: Explosion proofed ATEX/IECEX version with 3 m cable..... | 19 |
| HP00 version: Explosion proofed ATEX/IECEX version with terminal box..... | 19 |
| Standard version with stainless steel body..... | 20 |
| HP00 version with stainless steel body | 21 |
| Gunmetal housing with external thread and drinking water approval according to UBA..... | 21 |
| Standard version with Kick and Drop coil..... | 21 |

| | | |
|------|---|----|
| 8.5. | Ordering chart accessories..... | 22 |
| | Cable plug Type 2509, form A according to DIN EN 175301 - 803 | 22 |
| | Cable plug Type 2518, form A according to DIN EN 175301 - 803 | 22 |
| | Cable glands for ATEX/IECEX terminal box | 23 |
| | Timer Type 1087, form A according to DIN EN 175301 - 803 | 23 |

1. General technical data

| Product properties | |
|--|--|
| Dimensions | Further information can be found in chapter “5. Dimensions” on page 9. |
| Material | |
| Seal | NBR, FKM, EPDM |
| Body | Brass acc. to DIN EN 50930-6 Stainless steel 1.4408 Gunmetal (external thread) DN 10...DN 20 |
| Coil | Polyamide, epoxy (insulation class H) |
| Valve inner parts | Brass body: Brass, stainless steel and PPS Stainless steel body: Stainless steel and PPS Gunmetal body: Stainless steel and PPS (external thread) DN 10...DN 20 |
| Orifice | Standard: DN 10...DN 40 HP00: DN 13...DN 20 |
| Circuit function | A Further information can be found in chapter “2. Circuit functions” on page 5. |
| Thermal insulation class of solenoid coil | Epoxy coil class H |
| Performance data | |
| Duty cycle | 100 % continuous operation; KD coil max. 6 switching cycles/minute |
| Switching time ¹⁾ AC/DC | |
| DN 10...DN 13 | Opening: 10...100 ms Closing: 100...200 ms |
| DN 20 | Opening: 200...300 ms Closing: 400...700 ms |
| DN 25...DN 40 | Opening: 300...400 ms Closing: 800...1400 ms |
| Electrical data | |
| Operating voltage | Standard: 24 V/DC, 24 V/50 Hz, 230 V/50 Hz, 110 V/50 Hz, 120 V/60 Hz HP00: 24 V/DC, 24 V/50...60 Hz, 230 V/50...60 Hz |
| Power consumption | Depending on orifice and coil size Further information can be found in chapter “6. Performance specifications” on page 14 |
| Voltage tolerance | ± 10 % |
| Medium data | |
| Operating medium | |
| NBR | Neutral liquids (e.g. water, hydraulic oil, oil without additives) |
| FKM | Per-solutions, hot oils with additives |
| EPDM | Oil and fat-free liquids and gases |
| Medium temperature | |
| NBR | -10 °C...+80 °C |
| FKM | 0 °C...+90 °C with polyamide coil 0 °C...+120 °C with epoxy coil |
| EPDM | -30 °C...+90 °C with polyamide coil -30 °C...+100 °C with epoxy coil |
| EPDM with drinking water approval according to UBA | Application range of cold and hot water up to +60 °C |
| Viscosity | Max. 21 mm ² /s |
| Process/Port connection & communication | |
| Electrical connection | <ul style="list-style-type: none"> Plug contacts according to DIN EN 175 301 - 803 form A for cable plug Type 2518 ▶. Further information can be found in chapter “Cable plug Type 2518, form A according to DIN EN 175301 - 803” on page 22. Plug contacts according to DIN EN 175 301 - 803 form A for cable plug Type 2509 ▶. Further information can be found in chapter “Cable plug Type 2509, form A according to DIN EN 175301 - 803” on page 22. |
| Port connection | G ¼, G ⅜, G ½, G ¾, G 1, G 1 ¼, G 1 ½, G 2 NPT ¼, NPT ⅜, NPT ½, NPT ¾, NPT 1, NPT 1 ¼, NPT 1 ½, NPT 2 Rc ⅜, Rc ½, Rc ¾, Rc 1, Rc 1 ¼ |

| Approvals and conformities | |
|--|--|
| Degree of protection | IP65 with cable plug Type 2518 ▶, (IP67 on request) NEMA 4X with cable plug Type 2509 ▶ with stainless steel versions |
| Explosion protection | Further information can be found in chapter “3.4. Explosion protection” on page 6. |
| North America (USA/Canada) | Further information can be found in chapter “3.5. North America (USA/Canada)” on page 6. |
| Drinking water | Further information can be found in chapter “3.6. Drinking water” on page 6. |
| Others | Further information can be found in chapter “3.7. Others” on page 7. |
| Environment and installation | |
| Installation | As required, preferably with actuator upright |
| Ambient temperature^{2.)} | |
| AC10 | 6 switching cycles/min |
| 20/2.0 W | Max. 70 °C |
| AC19 | 6 switching cycles/min |
| 44/6.5 W | Max. 70 °C |
| 85/8.5 W | Max. 50 °C |

1.) Measurement at +20 °C, 6 bar at the valve inlet, opening: pressure build-up 0...90 %, closing: pressure reduction 100...10 %
 2.) The temperature specifications correspond to the specified switchable differential pressures. Higher temperatures are possible on request, depending on the differential pressure, duty cycle and number of switching cycles. Further information can be found in chapter “6.1. Temperature diagram” in the ACKD data sheet on the website of **Typ 6213** ▶.

2. Circuit functions

| Symbol | Description |
|--------|---|
| | Circuit function A (CF A) 2/2-way solenoid valve Servo-controlled Normally closed |

3. Approvals and conformities

3.1. General notes

- The approvals and conformities listed below must be stated when making enquiries. This is the only way to ensure that the product complies with all required specifications.
- Not all available versions can be supplied with the below mentioned approvals or conformities.

3.2. Conformity



In accordance with the Declaration of Conformity, the product is compliant with the EU Directives.

3.3. Standards

The applied standards which are used to demonstrate compliance with the EU Directives are listed in the EU-Type Examination Certificate and/or the EU Declaration of Conformity.

DTS 1000115690 EN Version: AC Status: RL (released | freigegeben | validé) printed: 21.06.2024



3.4. Explosion protection

| Approval | Description | | | | | |
|---|--|----------------|--|-------------------------|-------------------------|---|
|   | <p>Optional: Explosion protection according to category 2 (zone 1/21)</p> <p>Ex marking of the components according to the following table:</p> | | | | | |
| | <table border="1"> <thead> <tr> <th colspan="2">Coil Type AC10</th> </tr> <tr> <th>Coils with cable outlet</th> <th>Coils with terminal box</th> </tr> </thead> <tbody> <tr> <td> <p>ATEX:</p> <p>EPS 18 ATEX 1232 X II 2G Ex mb IIC T4 Gb II 2D Ex mb IIIC T130 °C Db</p> <p>IECEX:</p> <p>IECEX EPS 18.0110 X Ex mb IIC T4 Gb Ex mb IIIC T130 °C Db</p> </td> <td> <p>ATEX:</p> <p>EPS 18 ATEX 1232 X II 2G Ex eb mb IIC T4 Gb II 2D Ex mb tb IIIC T130 °C Db</p> <p>IECEX:</p> <p>IECEX EPS 18.0110 X Ex eb mb IIC T4 Gb Ex mb tb IIIC T130 °C Db</p> </td> </tr> </tbody> </table> | Coil Type AC10 | | Coils with cable outlet | Coils with terminal box | <p>ATEX:</p> <p>EPS 18 ATEX 1232 X II 2G Ex mb IIC T4 Gb II 2D Ex mb IIIC T130 °C Db</p> <p>IECEX:</p> <p>IECEX EPS 18.0110 X Ex mb IIC T4 Gb Ex mb IIIC T130 °C Db</p> |
| Coil Type AC10 | | | | | | |
| Coils with cable outlet | Coils with terminal box | | | | | |
| <p>ATEX:</p> <p>EPS 18 ATEX 1232 X II 2G Ex mb IIC T4 Gb II 2D Ex mb IIIC T130 °C Db</p> <p>IECEX:</p> <p>IECEX EPS 18.0110 X Ex mb IIC T4 Gb Ex mb IIIC T130 °C Db</p> | <p>ATEX:</p> <p>EPS 18 ATEX 1232 X II 2G Ex eb mb IIC T4 Gb II 2D Ex mb tb IIIC T130 °C Db</p> <p>IECEX:</p> <p>IECEX EPS 18.0110 X Ex eb mb IIC T4 Gb Ex mb tb IIIC T130 °C Db</p> | | | | | |

3.5. North America (USA/Canada)

| Approval | Description |
|---|---|
|  | <p>Optional: UL Listed for the USA</p> <p>The products are UL Listed for the USA according to:</p> <ul style="list-style-type: none"> UL 429 (electrically operated valves) |
|  | <p>Optional (valid for coils): UL Hazardous Locations – Explosion Protection</p> <p>UL Listed for Hazardous Locations for USA and Canada Class I, Zone 1 Class I, Division 2, Group A, B, C and D Class II + III, Division 2, Group F and G</p> |
|  | <p>Optional (valid for valves): UL Recognized for the USA</p> <p>The valves are UL Recognized for the USA according to:</p> <ul style="list-style-type: none"> UL 429 (electrically operated valves) |
|  | <p>Optional (valid for valves): CSA for Canada</p> <p>The valves are CSA approved for Canada according to:</p> <ul style="list-style-type: none"> CSA 139 (electrically operated valves) |
|  | <p>Optional: FM (Factory Mutual) – Explosion Protection (valid for coils)</p> <p>FM for Hazardous Locations for USA and Canada Class I, Zone 1 Class I, Division 1, Groups A, B, C and D Class II + III, Division 1, Groups E, F and G</p> |

3.6. Drinking water

| Conformity | Description |
|---|--|
|  | <p>Suitable for use in drinking water applications</p> <p>The materials comply with the assessment principles (UBA) for materials in contact with drinking water (TrinkwasserV).</p> <p>PF36: Suitable for products with a maximum temperature of 60 °C (warm water) PF40: Suitable for products with a maximum temperature of 23 °C (cold water)</p> |
| Approval | Description |
|  | <p>French ACS approval for drinking water products (valid for the variable code PY23)</p> <p>The products are approved according to French ACS approval for drinking water products („Attestation de conformité sanitaire“).</p> |


DTS 1000115690 EN Version: AC Status: RL (released | freigegeben | validé) printed: 21.06.2024

3.7. Others


Fire protection on railway vehicles

| Approval | Description |
|--------------|---|
| DIN EN 45545 | <p>Optional: Fire protection on railway vehicles in accordance with DIN EN 45545 applicable parts 2 and 5: requirements for fire behaviour of materials and components</p> <p>The products comply with the fire protection requirements in accordance with applicable parts 2 and 5 of DIN EN 45545 for use in the interior of railway vehicles for operating classes 1-3 (OC1-3) in conjunction with hazard levels 1-2 (HL1-2) in accordance with the manufacturer's declaration.</p> |

Safety shut-off valves

| Approval | Description |
|---|---|
|  | <p>Safety shut-off valves as a piece of equipment with safety function according to DIN EN ISO 23553-1 (valid for the variable code PD22)</p> <p>The automatic and semi-automatic valves are suitable for use with oil, according to the manufacturer's declaration.</p> |

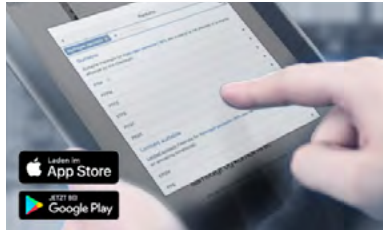
VDE – Certificate of conformity with factory surveillance

| Approval | Description |
|---|--|
|  | <p>Optional: Certificate of conformity with factory surveillance (VDE Testing and Certification Institute) (valid for the variable code PW01 and PW02)</p> <p>The electrically operated water valves are tested and certified according to:</p> <ul style="list-style-type: none"> • DIN EN 60730-1 (VDE 0631-1) • EN 60730-1 • DIN EN IEC 60730-2-8 (VDE 0631-2-8) <p>The electrically operated water valves also fulfill the requirements of:</p> <ul style="list-style-type: none"> • IEC 60730-1 • IEC 60730-2-8 |

DTS 1000115690 EN Version: AC Status: RL (released | freigegeben | validé) printed: 21.06.2024

4. Materials

4.1. Bürkert resistApp



Bürkert resistApp – Chemical resistance chart

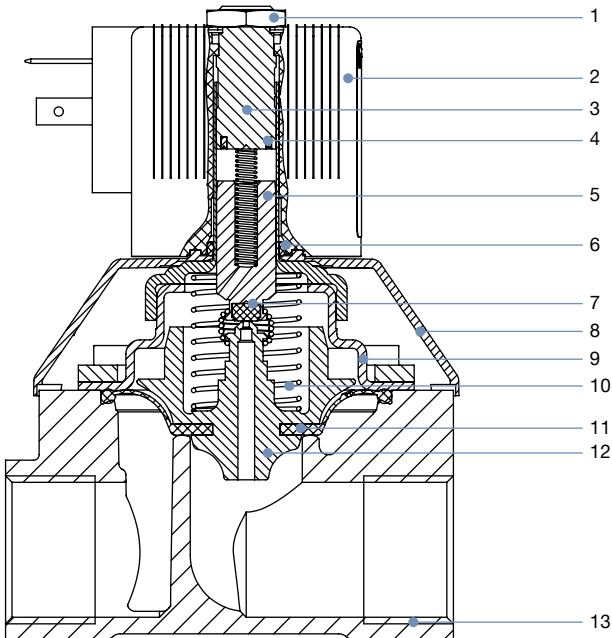
You want to ensure the reliability and durability of the materials in your individual application case? Verify your combination of media and materials on our website or in our resistApp.

[Start chemical resistance check](#)

4.2. Material specifications

Note:

The sectional view shown corresponds to the standard version nominal diameter 20. For other versions and nominal diameters, the sectional view varies.



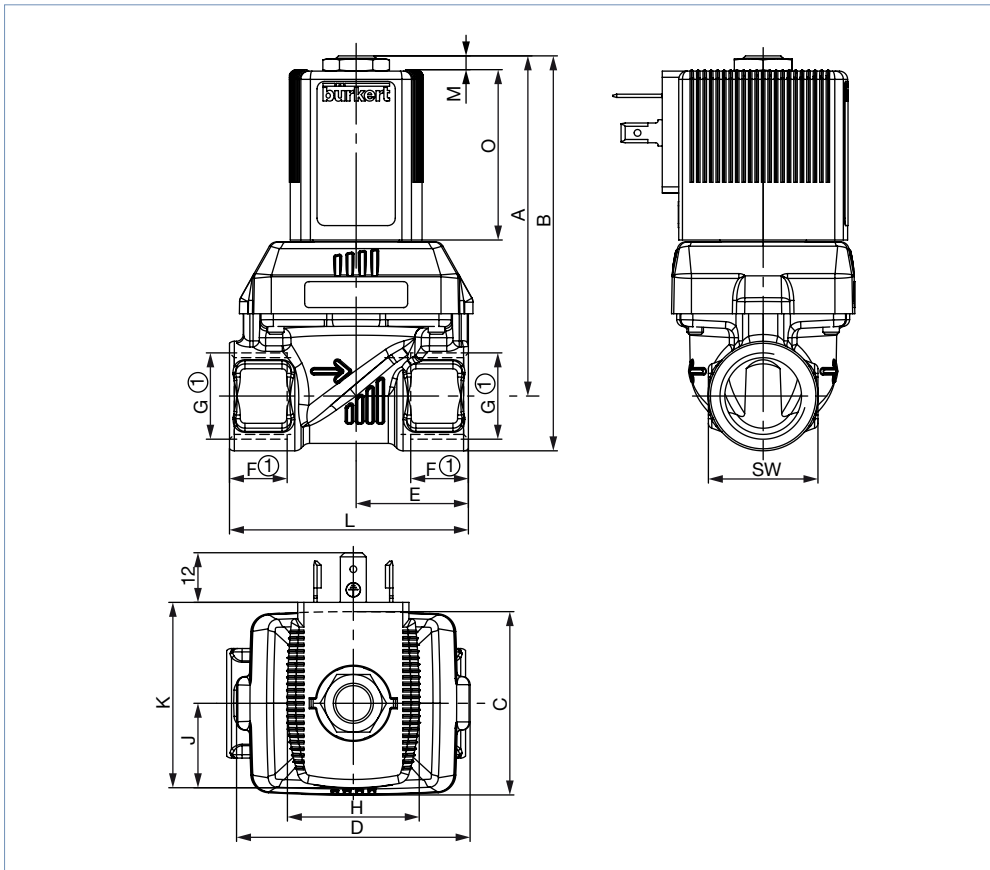
| No. | Element | Material |
|-----|--------------------------------|---|
| 1 | Locknut | Steel (surface thick-film passivated acc. to RoHS) Stainless steel 1.4305, PTFE coated |
| 2 | Coil | Polyamide or Epoxy |
| 3 | Stopper | Stainless steel 1.4113 |
| 4 | Shading ring (only AC version) | with brass body: Copper (Cu) with stainless steel body: Silver (Ag) |
| 5 | Magnetic core | Stainless steel 1.4113 |
| 6 | O-Ring | FKM |
| 7 | Plunger seal | NBR, FKM, EPDM |
| 8 | Bonnet | PA6 |
| 9 | Cover | DN 10...DN 25: Stainless steel 1.4301 DN 40: Brass, stainless steel 1.4408 |
| 10 | Spring | Stainless steel 1.4310 |
| 11 | Diaphragm | NBR, FKM, EPDM |
| 12 | Diaphragm support | PPSGF40 in combination with brass and accordingly stainless steel parts |
| 13 | Valve body | Brass, stainless steel 1.4408 Gunmetal with external thread |

5. Dimensions

5.1. Standard version with brass and stainless steel body

Note:

- Dimensions in mm
- The dimensions F1 and G 1 apply to G-threads.
- The dimensions F2 and G 2 apply to NPT-threads.
- The dimensions F3 and G 3 apply to Rc-threads.



| DN | A | B | C | D | E | Connection thread | | | | | | L | SW | Coil size |
|------------------|-------|-------|------|------|-------|-------------------|------|------|--------|------|-------|----|----|-----------|
| | | | | | | G | | NPT | | Rc | | | | |
| | | | | | | F1 | G1 | F2 | G2 | F3 | G3 | | | |
| 10 | 71.1 | 82.1 | 36 | 46 | 22 | 12 | G ¼ | 10.0 | NPT ¼ | – | – | 50 | 22 | 5 and 6 |
| 10 ¹⁾ | 73.1 | 86.6 | | | 24.5 | 12 | G ⅜ | 10.3 | NPT ⅜ | 10.1 | Rc ⅜ | 50 | 27 | |
| 10 ²⁾ | | | | | | 14 | G ½ | 13.7 | NPT ½ | 13.2 | Rc ½ | 55 | | |
| 13 ¹⁾ | 82.6 | 95.9 | 44.5 | 56.7 | 27.25 | 14 | G ½ | 13.7 | NPT ½ | 13.2 | Rc ½ | 58 | 27 | 5 and 6 |
| 13 ²⁾ | | | | | 32.5 | | | | | | | 65 | | |
| 13 | 84.6 | 100.6 | | | 32.5 | 16 | G ¾ | 14 | NPT ¾ | 14.5 | Rc ¾ | 65 | 32 | |
| 20 | 97.1 | 113.1 | 65 | 76.6 | 37 | 16 | G ¾ | 14 | NPT ¾ | 14.5 | Rc ¾ | 80 | 32 | 5 and 6 |
| 20 | 99.6 | 120.1 | | | 37.5 | 18 | G 1 | 16.8 | NPT 1 | 16.8 | Rc 1 | 80 | 41 | |
| 13 ¹⁾ | 109.3 | 122.8 | 44.5 | 56 | 27.25 | 14 | G ½ | 13.7 | NPT ½ | 13.2 | Rc ½ | 58 | 27 | K and L |
| 13 ²⁾ | | | | | 32.5 | | | | | | | 65 | | |
| 13 | 111.3 | 127.3 | | | 32.5 | 16 | G ¾ | 14 | NPT ¾ | 14.5 | Rc ¾ | 65 | 32 | |
| 20 | 123.9 | 139.9 | 65 | 76.6 | 37 | 16 | G ¾ | 14 | NPT ¾ | 14.5 | Rc ¾ | 80 | 32 | K and L |
| 20 | 126.4 | 146.9 | | | 37.5 | 18 | G 1 | 16.8 | NPT 1 | 16.8 | Rc 1 | 80 | 41 | |
| 25 | 143.4 | 163.4 | 77 | 88 | 46 | 18 | G 1 | 16.8 | NPT 1 | 16.8 | Rc 1 | 95 | 41 | K and L |
| 25 | 148.3 | 173.3 | | | 46 | 20 | G 1¼ | 17.3 | NPT 1¼ | 19.1 | Rc 1¼ | 95 | 50 | |

| DN | A | B | C | D | E | Connection thread | | | | | | L | SW | Coil size |
|-------------------|-------|-------|-------|-----|----|-------------------|------|------|--------|------|-------|-----|----|-----------|
| | | | | | | G | | NPT | | Rc | | | | |
| | | | | | | (MS/VA) | F1 | G1 | F2 | G2 | F3 | | | |
| 40 ^{1.)} | 153.9 | 178.9 | 104.5 | 117 | 61 | 20 | G 1¼ | 17.3 | NPT 1¼ | 19.1 | Rc 1¼ | 126 | 50 | K and L |
| 40 | 159.4 | 189.4 | | | 61 | 22 | G 1½ | 17.3 | NPT 1½ | 19.1 | Rc 1½ | 126 | 60 | |
| 40 | 165.4 | 200.4 | | | 64 | 24 | G 2 | 17.6 | NPT 2 | 23.4 | Rc 2 | 132 | 70 | |

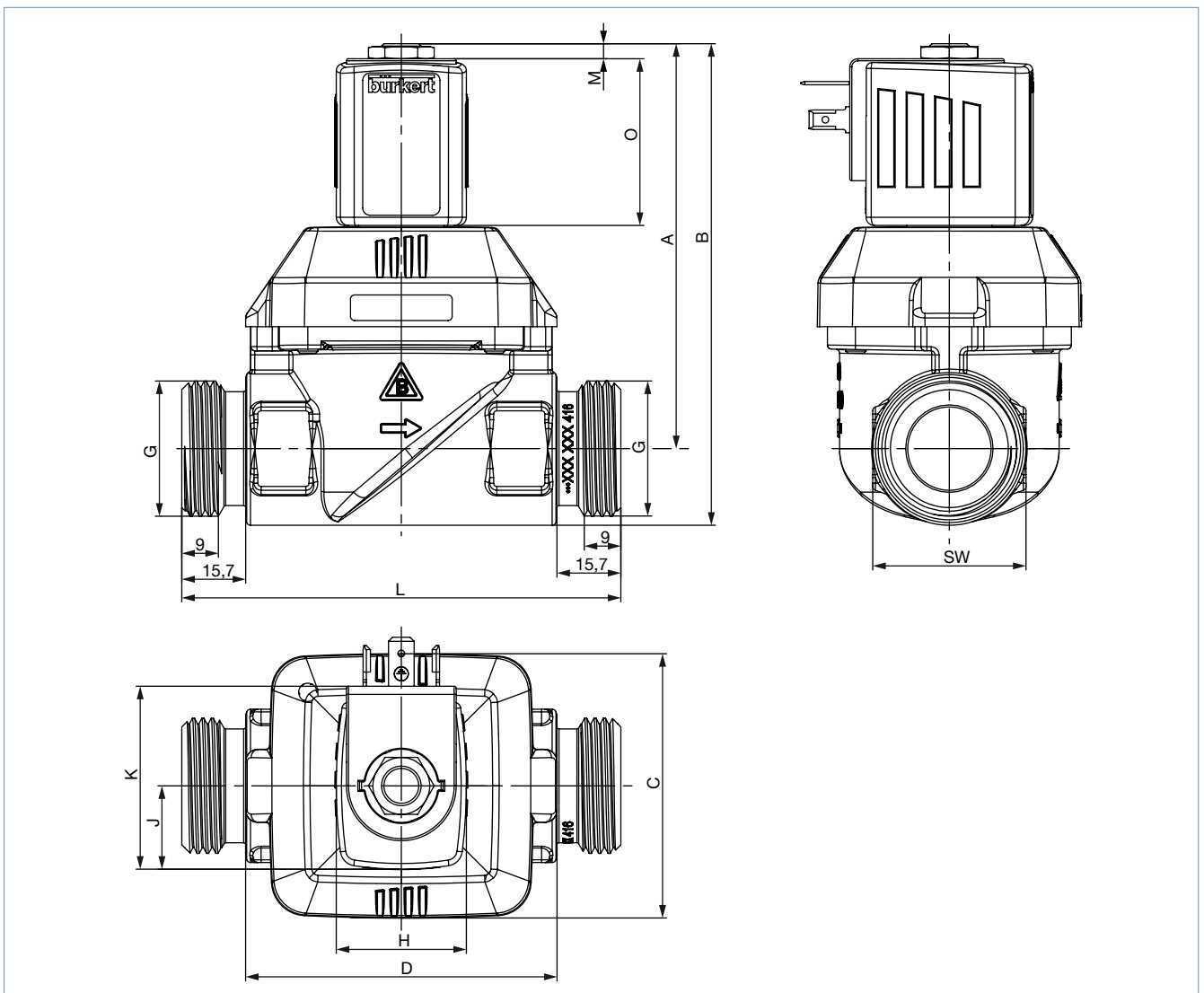
1.) Only in threaded brass connection

2.) Only in threaded stainless steel connection

5.2. Gunmetal version with external thread

Note:

Dimensions in mm



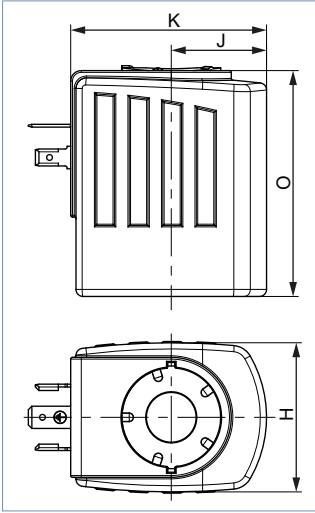
| DN | A | B | C | D | G | L | SW | Coil size |
|----|-------|-------|------|------|-----|-----|------|-----------|
| 10 | 73.1 | 86.1 | 36 | 46 | G ½ | 80 | 26 | 5 and 6 |
| 13 | 84.6 | 100.6 | 44.5 | 56.7 | G ¾ | 89 | 32 | 5 and 6 |
| 20 | 99.6 | 118.5 | 65 | 76.6 | G 1 | 108 | 37.7 | 5 and 6 |
| 13 | 104.3 | 120.3 | 44.5 | 56.7 | G ¾ | 89 | 32 | K and L |
| 20 | 119.3 | 139.8 | 36 | 76.6 | G 1 | 108 | 37.7 | K and L |

DTS 1000115690 EN Version: AC Status: RL (released | freigegeben | valide) printed: 21.06.2024

5.3. Coil dimension

Note:

Dimensions in mm

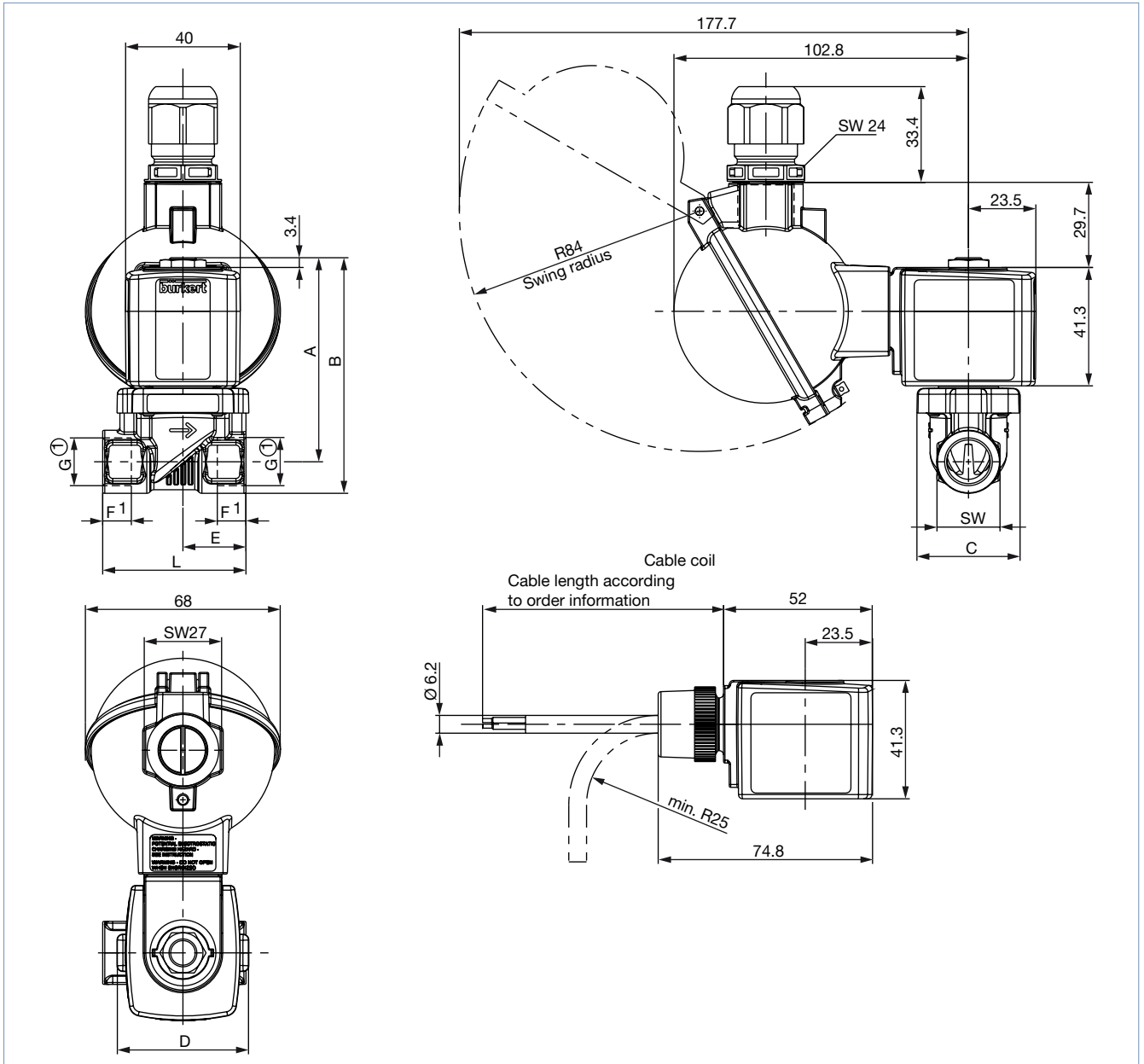


| Coil size | H | J | K | O | M |
|-----------|----|------|------|----|-----|
| 5 | 32 | 20.5 | 45 | 41 | 3.4 |
| 6 | 40 | 23.5 | 51 | 41 | 3.4 |
| K | 42 | 27 | 55.5 | 64 | 7 |
| L | 65 | 37.5 | 72 | 64 | 7 |

5.4. ATEX/IECEEx version

Note:

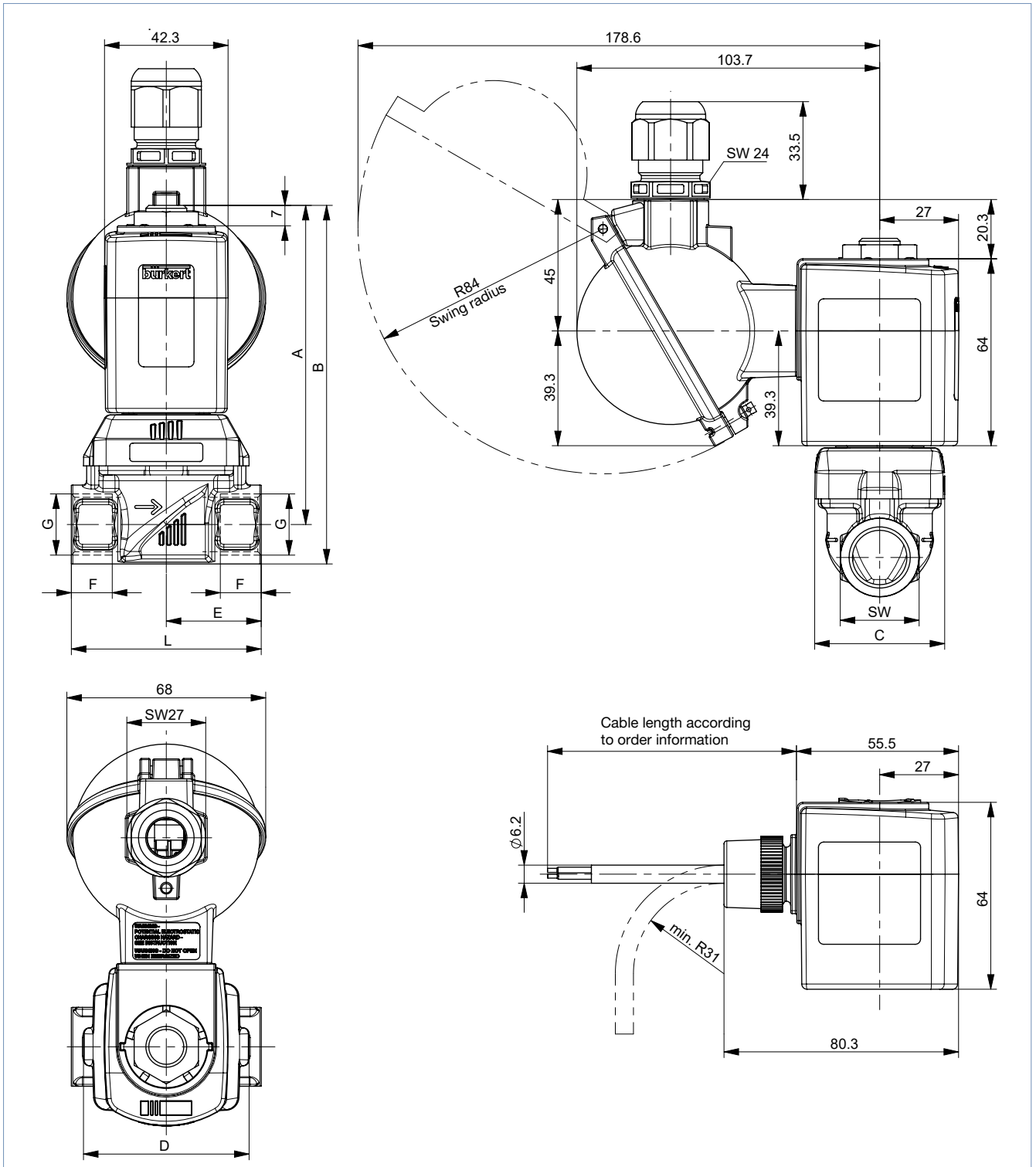
Coil with terminal box and cable gland or coil with cable connection are available on request.



| DN | A | B | C | D | E | G | | NPT | | Rc | | L | SW |
|----|------|-------|------|------|-------|----|-----|------|-------|------|------|----|----|
| | | | | | | F1 | G1 | F2 | G2 | F3 | G3 | | |
| 10 | 71.2 | 82.2 | 36 | 45.6 | 22 | 12 | G ¼ | 10 | NPT ¼ | – | – | 50 | 22 |
| | 73.2 | 86.7 | | | | | G ⅝ | 10.3 | NPT ⅝ | 10.1 | Rc ⅝ | | |
| 13 | 82.7 | 96 | 44.5 | 56.7 | 27.25 | 14 | G ½ | 13.7 | NPT ½ | 13.2 | Rc ½ | 58 | 27 |
| | 84.7 | 100.7 | | | | | G ¾ | 14 | NPT ¾ | 14.5 | Rc ¾ | | |
| 20 | 97.2 | 113.2 | 65 | 76.6 | 37 | 16 | G ½ | 14 | NPT ¾ | 14.5 | Rc ¾ | 80 | 41 |
| | 99.7 | 120.2 | | | | | G 1 | 16.8 | NPT 1 | 16.8 | Rc 1 | | |

DTS 1000115690 EN Version: AC Status: RL (released | freigegeben | valide) printed: 21.06.2024

5.5. ATEX version with terminal box (HP00 version)



DTS 1000115690 EN Version: AC Status: RL (released | freigegeben | valide) printed: 21.06.2024

| DN | A | B | C | D | E | F | G | L | SW |
|-------------------|-------|-------|------|------|-------|----|-----|----|----|
| 13 ^{1.)} | 109.3 | 122.8 | 44.5 | 56.7 | 27.25 | 14 | G ½ | 58 | 27 |
| 13 ^{2.)} | | | | | 32.5 | | | 65 | |
| 20 | 116.8 | 132.8 | 65 | 76.6 | 37 | 16 | G ¾ | 80 | 32 |

1.) Only in threaded brass connection

2.) Only in threaded stainless steel connection

6. Performance specifications

6.1. Power consumption standard version

| Nominal size | Coil size | | AC | | | DC | | AC/DC ATEX/IECEX |
|--------------|-----------|----|--------|------|-----|------------------|------------------|------------------|
| | | | Inrush | Hold | | Cooling capacity | Heat performance | Nominal power |
| [mm] | [mm] | SG | [VA] | [VA] | [W] | [W] | [W] | [W] |
| 10 | 32 | 5 | 34 | 14 | 8 | – | – | – |
| 10 | 40 | 6 | – | – | 10 | 11 | 10 | 9 |
| 13 | 32 | 5 | 36 | 14 | 8 | – | – | – |
| 13 | 40 | 6 | – | – | 10 | 11 | 10 | 9 |
| 13 | 42 | K | 125 | 37 | 16 | 21 | 16 | – |
| 20 | 32 | 5 | 38 | 14 | 8 | – | – | – |
| 20 | 40 | 6 | – | – | 10 | 11 | 10 | 9 |
| 20 | 42 | K | 140 | 37 | 16 | 21 | 16 | – |
| 25 | 42 | K | 150 | 37 | 16 | – | – | – |
| 25 | 65 | L | – | – | – | 28 | 21 | – |
| 40 | 42 | K | 190 | 37 | 16 | – | – | – |
| 40 | 65 | L | – | – | – | 28 | 21 | – |

6.2. Power consumption with Kick and Drop coil

| Nominal size | Coil size | | Kick and Drop coil AC/DC ^{1.)} | | |
|--------------|-----------|----|---|-----------------------|-----------------------|
| | | | Cooling capacity Inrush (500 ms) | Cooling capacity Hold | Heat performance Hold |
| [mm] | [mm] | SG | [W] | [W] | [W] |
| 10...13 | 40 | 6 | 20 | 2 | – |
| 13...20 | 42 | K | 44 | 6.5 | 5.5 |
| 13...20 | 42 (ATEX) | K | 44 | 6.5 | 5.5 |
| 13...40 | 42 | K | 85 | 8.5 | 7 |


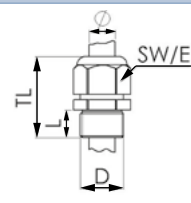

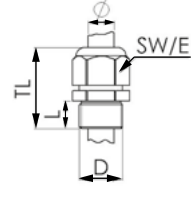
1.) Kick and drop coil: integrated electronics assembly for temporarily increased performance for inrush (approx. 500 ms) in double coil technology

7. Product accessories

7.1. Cable glands for ATEX/IECEX terminal box

Note:

A polyamide cable gland is included in the scope of delivery. A nickel-plated brass version can be ordered for a surcharge, see [“Cable glands for ATEX/IECEX terminal box” on page 23.](#)

| Description | Ex approvals | | Dimensions | | | | | | | | | | |
|--|---|--|--|----|------------|---|-------|---|-------|----|-------|---|-------|
| | Certification | Identification | | | | | | | | | | | |
| Ex cable gland, Nickel-plated brass, 6...13 mm  | PTB 04 ATEX 1112 X, IECEX PTB 13.0027X | II 2 G Ex e IIC Gb, II 2 D Ex tb IIIC Db IP68 |  <table border="1"> <tr><td>TL</td><td>29...37 mm</td></tr> <tr><td>L</td><td>6 mm</td></tr> <tr><td>D</td><td>20 mm</td></tr> <tr><td>SW</td><td>24 mm</td></tr> <tr><td>E</td><td>27 mm</td></tr> </table> | TL | 29...37 mm | L | 6 mm | D | 20 mm | SW | 24 mm | E | 27 mm |
| TL | 29...37 mm | | | | | | | | | | | | |
| L | 6 mm | | | | | | | | | | | | |
| D | 20 mm | | | | | | | | | | | | |
| SW | 24 mm | | | | | | | | | | | | |
| E | 27 mm | | | | | | | | | | | | |
| Ex cable gland, Polyamide, 7...13 mm  | PTB 13 ATEX 1015 X, IECEX PTB 13.0034X | II 2 G Ex e IIC Gb, II 2 D Ex tb IIIC Db IP68 |  <table border="1"> <tr><td>TL</td><td>36...45 mm</td></tr> <tr><td>L</td><td>10 mm</td></tr> <tr><td>D</td><td>20 mm</td></tr> <tr><td>SW</td><td>24 mm</td></tr> <tr><td>E</td><td>28 mm</td></tr> </table> | TL | 36...45 mm | L | 10 mm | D | 20 mm | SW | 24 mm | E | 28 mm |
| TL | 36...45 mm | | | | | | | | | | | | |
| L | 10 mm | | | | | | | | | | | | |
| D | 20 mm | | | | | | | | | | | | |
| SW | 24 mm | | | | | | | | | | | | |
| E | 28 mm | | | | | | | | | | | | |

7.2. Special tool to turn the terminal box

Note:

This special tool is not included in the scope of delivery of the valve, see [“Cable glands for ATEX/IECEX terminal box” on page 23.](#)

| Description | Components of the set |
|--|--|
| Set SC02-AC10  | <ul style="list-style-type: none"> • Special wrench • Service manual |

DTS 1000115690 EN Version: AC Status: RL (released | freigegeben | valide) printed: 21.06.2024

8. Ordering information

8.1. Bürkert eShop



Bürkert eShop – Easy ordering and quick delivery

You want to find your desired Bürkert product or spare part quickly and order directly? Our online shop is available for you 24/7. Sign up and enjoy all the benefits.

[Order online now](#)

8.2. Bürkert product filter

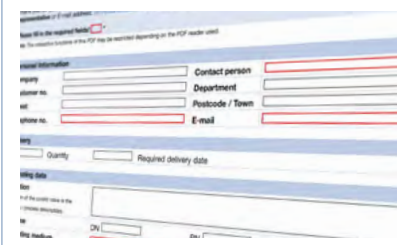


Bürkert product filter – Get quickly to the right product

You want to select products comfortably based on your technical requirements? Use the Bürkert product filter and find suitable articles for your application quickly and easily.

[Try out our product filter](#)

8.3. Bürkert Product Enquiry Form



Bürkert Product Enquiry Form – Your enquiry quickly and compactly

Would you like to make a specific product enquiry based on your technical requirements? Use our Product Enquiry Form for this purpose. There you will find all the relevant information for your Bürkert contact. This will enable us to provide you with the best possible advice.

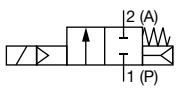
[Fill out the form now](#)

8.4. Ordering chart

Standard version with brass body

Note:

- Please note that the cable plug must be ordered separately, see “8.5. Ordering chart accessories” on page 22 or separate data sheet **Type 2518** ▶.
- Further versions are available on request.

| Circuit function | Port connection | Orifice | K _v value water ^{1,2)} | Pressure range ³⁾ | Weight ⁴⁾ | Article no. | | |
|---|---|---------|--|------------------------------|----------------------|------------------------|--------|--------|
| | | [mm] | [m ³ /h] | [bar] | [kg] | 024/DC ⁵⁾ | 024/50 | 230/50 |
| | | | | | | [V/Hz] | [V/Hz] | [V/Hz] |
| CF A 2/2-way solenoid valve Servo-controlled Normally closed  | Seal material NBR, polyamide coil, medium temperature - 10...+80 °C | | | | | | | |
| | G ¼ | 10 | 1.3 | 0...10 | 0.3 (0.5) | 221674 | 221675 | 221677 |
| | G ⅜ | 10 | 1.9 | 0...10 | 0.3 (0.5) | 221598 | 221599 | 221601 |
| | G ½ | 10 | 1.9 | 0...10 | 0.4 (0.5) | 221606 | 221607 | 221609 |
| | G ½ | 13 | 3.6 | 0...10 | 0.4 (0.5) | 221602 | 221603 | 221605 |
| | G ¾ | 13 | 3.6 | 0...10 | 0.5 (0.6) | 221618 | 221619 | 221621 |
| | G ¾ | 20 | 8.3 | 0...10 | 0.7 (0.8) | 221630 | 221631 | 221633 |
| | G 1 | 20 | 8.3 | 0...10 | 0.9 (1.0) | 221634 | 221635 | 221637 |
| | Seal material NBR, epoxy coil, medium temperature - 10...+80 °C | | | | | | | |
| | G 1 | 25 | 11 | 0...10 | 1.6 (2.2) | 227533 | 221725 | 221728 |
| | G 1¼ | 25 | 11 | 0...10 | 1.7 (2.3) | 227534 | 221729 | 221732 |
| | G 1¼ | 40 | 23 | 0...10 | 2.9 (3.4) | 20091786 ⁶⁾ | 270895 | 270899 |
| | G 1½ | 40 | 30 | 0...10 | 3.2 (3.7) | 323686 ⁶⁾ | 221750 | 221753 |
| | G 2 | 40 | 30 | 0...10 | 3.4 (3.9) | 20004800 ⁶⁾ | 221754 | 221757 |
| | Seal material FKM, epoxy coil, medium temperature 0...+120 °C | | | | | | | |
| | G ¼ | 10 | 1.3 | 0...10 | 0.3 (0.5) | 221678 | 221679 | 221681 |
| | G ⅜ | 10 | 1.9 | 0...10 | 0.3 (0.5) | 221610 | 221611 | 221613 |
| | G ½ | 10 | 1.9 | 0...10 | 0.4 (0.5) | 221614 | 221615 | 221617 |
| | G ½ | 13 | 3.6 | 0...10 | 0.4 (0.5) | 221622 | 221623 | 221625 |
| | G ¾ | 13 | 3.6 | 0...10 | 0.5 (0.6) | 221626 | 221627 | 221629 |
| | G ¾ | 20 | 8.3 | 0...10 | 0.7 (0.8) | 221638 | 221639 | 221641 |
| | G 1 | 20 | 8.3 | 0...10 | 0.9 (1.0) | 221642 | 221643 | 221645 |
| | G 1 | 25 | 11 | 0...10 | 1.6 (2.2) | 227537 | 221733 | 221736 |
| | G 1¼ | 25 | 11 | 0...10 | 1.7 (2.3) | 227538 | 221737 | 221740 |
| | G 1¼ | 40 | 23 | 0...10 | 2.9 (3.4) | 20091787 ⁶⁾ | 270906 | 270908 |
| | G 1½ | 40 | 30 | 0...10 | 3.2 (3.7) | 20008169 ⁶⁾ | 227724 | 227726 |
| | G 2 | 40 | 30 | 0...10 | 3.4 (3.9) | 20008170 ⁶⁾ | 227728 | 227730 |
| | Seal material EPDM, polyamide coil, medium temperature - 30...+90 °C | | | | | | | |
| | G ¼ | 10 | 1.3 | 0...10 | 0.3 (0.4) | 221670 | 221671 | 221673 |
| | G ⅜ | 10 | 1.9 | 0...10 | 0.3 (0.4) | 221646 | 221647 | 221649 |
| | G ½ | 10 | 1.9 | 0...10 | 0.4 (0.5) | 221650 | 221651 | 221653 |
| | G ½ | 13 | 3.6 | 0...10 | 0.4 (0.5) | 221654 | 221655 | 221657 |
| | G ¾ | 13 | 3.6 | 0...10 | 0.5 (0.6) | 221658 | 221659 | 221661 |
| | G ¾ | 20 | 8.3 | 0...10 | 0.7 (0.8) | 221662 | 221663 | 221665 |
| | G 1 | 20 | 8.3 | 0...10 | 0.9 (1.0) | 221666 | 221667 | 221669 |

DTS 1000115690 EN Version: AC Status: RL (released | freigegeben | valide) printed: 21.06.2024

| Circuit function | Port connection | Orifice [mm] | K _v value water ^{1,2)} [m ³ /h] | Pressure range ³⁾ [bar] | Weight ⁴⁾ [kg] | Article no. | | |
|--|---|-----------------|--|--|------------------------------|--------------------------|----------|----------|
| | | | | | | 024/DC ⁵⁾ | 024/50 | 230/50 |
| | | | | | | [V/Hz] | [V/Hz] | [V/Hz] |
| CF A 2/2-way solenoid valve Servo-controlled Normally closed | Seal material EPDM, epoxy coil, medium temperature -30...+100 °C | | | | | | | |
| | G 1 | 25 | 11 | 0...10 | 1.6 (2.2) | 227535 ☞ | 221717 ☞ | 221720 ☞ |
| | G 1¼ | 25 | 11 | 0...10 | 1.7 (2.3) | 227536 ☞ | 221721 ☞ | 221724 ☞ |
| | G 1¼ | 40 | 23 | 0...10 | 2.9 (3.4) | 20060614 ☞ ⁶⁾ | 270890 ☞ | 270894 ☞ |
| | G 1½ | 40 | 30 | 0...10 | 3.2 (3.7) | 20004798 ☞ ⁶⁾ | 221741 ☞ | 221745 ☞ |
| | G 2 | 40 | 30 | 0...10 | 3.4 (3.9) | 20004802 ☞ ⁶⁾ | 221746 ☞ | 221749 ☞ |

- 1.) Measurement at +20 °C, 1 bar³⁾ at the valve inlet and free outlet
- 2.) A differential pressure of 0.5 bar is required to open the full cross section.
- 3.) Pressure data: overpressure to atmospheric pressure
- 4.) The values in brackets apply to the weight of the DC versions.
- 5.) For gas and vacuum applications, a minimum pressure of 0.5 bar is required for DC versions. Alternatively, HP00 versions can be used.
- 6.) 024/AC/DC applies to the versions with kick and drop coil.

Standard version with drinking water approval according to UBA

| Circuit function | Port connection | Orifice [mm] | K _v value water ^{1,2)} [m ³ /h] | Pressure range ³⁾ [bar] | Weight ⁴⁾ [kg] | Article no. | | |
|--|--|-----------------|--|--|------------------------------|----------------------|------------|------------|
| | | | | | | 024/DC ⁵⁾ | 024/50 | 230/50 |
| | | | | | | [V/Hz] | [V/Hz] | [V/Hz] |
| CF A 2/2-way solenoid valve Servo-controlled Normally closed | Seal material EPDM, epoxy coil, medium temperature -30...+90 °C | | | | | | | |
| | G ¼ | 10 | 1.3 | 0...10 | 0.3 (0.4) | 20056269 ☞ | 20056273 ☞ | 20056275 ☞ |
| | G ⅜ | 10 | 1.9 | 0...10 | 0.3 (0.4) | 20056276 ☞ | 239270 ☞ | 252227 ☞ |
| | G ½ | 10 | 1.9 | 0...10 | 0.4 (0.5) | 20056277 ☞ | 20056280 ☞ | 20056282 ☞ |
| | G ½ | 13 | 3.6 | 0...10 | 0.4 (0.5) | 20056292 ☞ | 20056285 ☞ | 255143 ☞ |
| | G ¾ | 13 | 3.6 | 0...10 | 0.5 (0.6) | 221658 ☞ | 20056293 ☞ | 252111 ☞ |
| | G ¾ | 20 | 8.3 | 0...10 | 0.7 (0.8) | 20056294 ☞ | 221663 ☞ | 252399 ☞ |
| | G 1 | 20 | 8.3 | 0...10 | 0.9 (1.0) | 20056296 ☞ | 20056297 ☞ | 252401 ☞ |

- 1.) Measurement at +20 °C, 1 bar³⁾ at the valve inlet and free outlet
- 2.) A differential pressure of 0.5 bar is required to open the full cross section.
- 3.) Pressure data: overpressure to atmospheric pressure
- 4.) The values in brackets apply to the weight of the DC versions.
- 5.) For gas and vacuum applications, a minimum pressure of 0.5 bar is required for DC versions. Alternatively, HP00 versions can be used.

HP00 version with brass body

Note:

Preferably used for gas and vacuum applications as well as for liquids with increased flow and tightness requirements at low differential pressure.

| Circuit function | Port connection | Orifice [mm] | K _v value water ¹⁾ [m ³ /h] | Pressure range ²⁾ [bar] | Weight [kg] | Article no. | | |
|--|---|-----------------|--|--|----------------|-------------|-------------|-------------|
| | | | | | | 024/DC | 024/50...60 | 230/50...60 |
| | | | | | | [V/Hz] | [V/Hz] | [V/Hz] |
| CF A 2/2-way solenoid valve Servo-controlled Normally closed | Brass body, seal material FKM, epoxy coil, medium temperature 0...+120 °C | | | | | | | |
| | G ½ | 13 | 3.6 | 0...10 | 0.8 | 221706 ☞ | 221705 ☞ | 231574 ☞ |
| | G ¾ | 20 | 8.3 | 0...10 | 1.3 | 221712 ☞ | 221711 ☞ | 221713 ☞ |
| | G 1 | 20 | 8.3 | 0...10 | 1.4 | 221715 ☞ | 221714 ☞ | 221716 ☞ |
| | Brass body, seal material EPDM, epoxy coil, medium temperature -30...+100 °C | | | | | | | |
| | G ½ | 13 | 3.6 | 0...10 | 0.8 | 221694 ☞ | 221693 ☞ | 221695 ☞ |
| G ¾ | 20 | 8.3 | 0...10 | 1.3 | 208422 ☞ | 221699 ☞ | 189592 ☞ | |
| G 1 | 20 | 8.3 | 0...10 | 1.4 | 221703 ☞ | 221702 ☞ | 221704 ☞ | |

- 1.) Measurement at +20 °C, 1 bar²⁾ at the valve inlet and free outlet
- 2.) Pressure data: overpressure to atmospheric pressure

HP00 version: Explosion proofed ATEX/IECEX version with 3 m cable

Note:

- The Kick and Drop coil (AC/DC) features integrated electronics for short-term power increase and decrease in double coil technology.
- The maximum medium temperature must never exceed the permitted temperature class (T4: +135 °C, T5: +100 °C, T6: +85 °C) minus 5 K.
- Kick and Drop coil max. 6 switching cycles/minute
- Refer to chapter “3. Approvals and conformities” on page 5 for more information about the approvals.

| Circuit function | Port connection | Orifice [mm] | K _v value water ^{1.)} [m ³ /h] | Pressure range ^{2.)} [bar] | Weight [kg] | Article no. | |
|--|--|-----------------|--|--|----------------|-------------|--------------|
| | | | | | | 024/UC | 230...240/UC |
| | | | | | | [V/Hz] | [V/Hz] |
| CF A 2/2-way solenoid valve Servo-controlled Normally closed | Brass body, seal material EPDM, KD coil, medium temperature -30...+100 °C^{3.)} | | | | | | |
| | G 1/2 | 13 | 3.6 | 0...10 | 0.8 | 20051200 𐀀 | 20051201 𐀀 |
| | G 3/4 | 20 | 8.3 | 0...10 | 1.3 | 20051202 𐀀 | 20051203 𐀀 |
| | Stainless steel body, seal material FKM, KD coil, medium temperature 0...+120 °C | | | | | | |
| | G 1/2 | 13 | 3.6 | 0...10 | 0.8 | 20031389 𐀀 | 20051206 𐀀 |
| | G 3/4 | 20 | 8.3 | 0...10 | 1.3 | 20046809 𐀀 | 20051207 𐀀 |

1.) Measurement at +20 °C, 1 bar^{2.)} at the valve inlet and free outlet
 2.) Pressure data: overpressure to atmospheric pressure

HP00 version: Explosion proofed ATEX/IECEX version with terminal box

Note:

- The Kick and Drop coil (AC/DC) features integrated electronics for short-term power increase and decrease in double coil technology.
- The maximum medium temperature must never exceed the permitted temperature class (T4: +135 °C, T5: +100 °C, T6: +85 °C) minus 5 K.
- Refer to chapter “3. Approvals and conformities” on page 5 for more information about the approvals.

| Circuit function | Port connection | Orifice [mm] | K _v value water ^{1.)} [m ³ /h] | Pressure range ^{2.)} [bar] | Weight [kg] | Article no. | |
|--|---|-----------------|--|--|----------------|-------------|--------------|
| | | | | | | 024/UC | 230...240/UC |
| | | | | | | [V/Hz] | [V/Hz] |
| CF A 2/2-way solenoid valve Servo-controlled Normally closed | Brass body, seal material EPDM, KD coil, medium temperature -30...+100 °C | | | | | | |
| | G 1/2 | 13 | 3.6 | 0...10 | 0.8 | 20051208 𐀀 | 20051210 𐀀 |
| | G 3/4 | 20 | 8.3 | 0...10 | 1.3 | 20051211 𐀀 | 20051212 𐀀 |
| | Stainless steel body, seal material FKM, KD coil, medium temperature 0...+120 °C | | | | | | |
| | G 1/2 | 13 | 3.6 | 0...10 | 0.8 | 20051213 𐀀 | 20051214 𐀀 |
| | G 3/4 | 20 | 8.3 | 0...10 | 1.3 | 20018095 𐀀 | 20051216 𐀀 |

1.) Measurement at +20 °C, 1 bar^{2.)} at the valve inlet and free outlet
 2.) Pressure data: overpressure to atmospheric pressure

DTS 1000115690 EN Version: AC Status: RL (released | freigegeben | validé) printed: 21.06.2024

Standard version with stainless steel body

| Circuit function | Port connection | Orifice | K _v value water ^{1,2)} | Pressure range ³⁾ | Weight ⁴⁾ | Article no. | | |
|--|--|---------|--|------------------------------|----------------------|----------------------|--------|--------|
| | | [mm] | [m ³ /h] | [bar] | [kg] | 024/DC ⁵⁾ | 024/50 | 230/50 |
| | | | | | | [V/Hz] | [V/Hz] | [V/Hz] |
| CF A 2/2-way solenoid valve Servo-controlled Normally closed | Seal material NBR, polyamide coil, medium temperature -10...+80 °C | | | | | | | |
| | G 3/8 | 10 | 1.9 | 0...10 | 0.3 (0.4) | 222150 | 222151 | 222152 |
| | G 1/2 | 13 | 3.6 | 0...10 | 0.4 (0.5) | 222156 | 222157 | 222158 |
| | G 3/4 | 20 | 8.3 | 0...10 | 0.7 (0.8) | 222168 | 222169 | 222170 |
| | G 1 | 20 | 8.3 | 0...10 | 0.9 (1.0) | 222171 | 222172 | 222173 |
| | Seal material NBR, epoxy coil, medium temperature -10...+80 °C | | | | | | | |
| | G 1 | 25 | 11 | 0...10 | 1.6 (2.2) | 227546 | 228429 | 222193 |
| | G 1 1/4 | 25 | 11 | 0...10 | 1.7 (2.3) | 227547 | 228432 | 222197 |
| | G 1 1/2 | 40 | 30 | 0...10 | 3.2 (3.7) | 20091777 | 228435 | 222201 |
| | G 2 | 40 | 30 | 0...10 | 3.4 (3.9) | 20091780 | 228438 | 222205 |
| | Seal material FKM, epoxy coil, medium temperature 0...+120 °C | | | | | | | |
| | G 3/8 | 10 | 1.9 | 0...10 | 0.3 (0.4) | 221758 | 221759 | 221761 |
| | G 1/2 | 13 | 3.6 | 0...10 | 0.4 (0.5) | 221762 | 221763 | 221765 |
| | G 3/4 | 20 | 8.3 | 0...10 | 0.7 (0.8) | 222122 | 222123 | 222125 |
| | G 1 | 20 | 8.3 | 0...10 | 0.9 (1.0) | 222126 | 222127 | 222129 |
| | G 1 | 25 | 11 | 0...10 | 1.6 (2.2) | 227550 | 228430 | 222143 |
| | G 1 1/4 | 25 | 11 | 0...10 | 1.7 (2.3) | 227551 | 228433 | 222145 |
| | G 1 1/2 | 40 | 30 | 0...10 | 3.2 (3.7) | 20091784 | 228436 | 222147 |
| | G 2 | 40 | 30 | 0...10 | 3.4 (3.9) | 20091785 | 228439 | 222149 |
| | Seal material EPDM, polyamide coil, medium temperature -30...+90 °C | | | | | | | |
| | G 3/8 | 10 | 1.9 | 0...10 | 0.3 (0.4) | 222153 | 222154 | 222155 |
| | G 1/2 | 13 | 3.6 | 0...10 | 0.4 (0.5) | 222159 | 222160 | 222161 |
| | G 3/4 | 20 | 8.3 | 0...10 | 0.7 (0.8) | 222174 | 222175 | 222176 |
| | G 1 | 20 | 8.3 | 0...10 | 0.9 (1.0) | 222177 | 222178 | 222179 |
| | Seal material EPDM, epoxy coil, medium temperature -30...+100 °C | | | | | | | |
| | G 1 | 25 | 11 | 0...10 | 1.6 (2.2) | 227548 | 228431 | 222195 |
| | G 1 1/4 | 25 | 11 | 0...10 | 1.7 (2.3) | 227549 | 228434 | 222199 |
| | G 1 1/2 | 40 | 30 | 0...10 | 3.2 (3.7) | 20091782 | 228437 | 222203 |
| | G 2 | 40 | 30 | 0...10 | 3.4 (3.9) | 20091783 | 228440 | 222207 |

- 1.) Measurement at +20 °C, 1 bar³⁾ at the valve inlet and free outlet
- 2.) A differential pressure of 0.5 bar is required to open the full cross section.
- 3.) Pressure data: overpressure to atmospheric pressure
- 4.) The values in brackets apply to the weight of the DC versions.
- 5.) For gas and vacuum applications, a minimum pressure of 0.5 bar is required for DC versions. Alternatively, HP00 versions can be used.
- 6.) 024/AC/DC applies to the versions with kick and drop coil.

DTS 1000115690 EN Version: AC Status: RL (released | freigegeben | valide) printed: 21.06.2024

HP00 version with stainless steel body

Note:

Preferably used for gas and vacuum applications as well as for liquids with increased flow and tightness requirements at low differential pressure.

| Circuit function | Port connection | Orifice [mm] | K _v value water ^{1.)} [m ³ /h] | Pressure range ^{2.)} [bar] | Weight [kg] | Article no. | | |
|--|---|-----------------|--|--|----------------|-------------|-------------|-------------|
| | | | | | | 024/DC | 024/50...60 | 230/50...60 |
| | | | | | | [V/Hz] | [V/Hz] | [V/Hz] |
| CF A 2/2-way solenoid valve Servo-controlled Normally closed | Seal material FKM, epoxy coil, medium temperature 0...+120 °C | | | | | | | |
| | G 1/2 | 13 | 3.6 | 0...10 | 0.8 | 208694 ☞ | 220585 ☞ | 205351 ☞ |
| | G 3/4 | 20 | 8.3 | 0...10 | 1.3 | 222137 ☞ | 222136 ☞ | 222138 ☞ |
| | G 1 | 20 | 8.3 | 0...10 | 1.4 | 222140 ☞ | 222139 ☞ | 222141 ☞ |
| | Seal material EPDM, epoxy coil, medium temperature -30...+100 °C | | | | | | | |
| | G 1/2 | 13 | 3.6 | 0...10 | 0.8 | 213132 ☞ | 222166 ☞ | 220584 ☞ |
| G 3/4 | 20 | 8.3 | 0...10 | 1.3 | 222186 ☞ | 222187 ☞ | 222188 ☞ | |
| G 1 | 20 | 8.3 | 0...10 | 1.4 | 222189 ☞ | 222190 ☞ | 222191 ☞ | |

1.) Measurement at +20 °C, 1 bar^{2.)} at the valve inlet and free outlet
 2.) Pressure data: overpressure to atmospheric pressure

Gunmetal housing with external thread and drinking water approval according to UBA

| Circuit function | Port connection | Orifice [mm] | K _v value water ^{1.)2.)} [m ³ /h] | Pressure range ^{3.)} [bar] | Weight [kg] | Article no. | | |
|--|---|-----------------|---|--|----------------|-----------------------|----------|----------|
| | | | | | | 024/DC ^{4.)} | 024/50 | 230/50 |
| | | | | | | [V/Hz] | [V/Hz] | [V/Hz] |
| CF A 2/2-way solenoid valve Servo-controlled Normally closed | Seal material EPDM, epoxy coil, medium temperature. Application range of cold and hot water up to +60 °C | | | | | | | |
| | G 1/2 | 10 | 1.9 | 0...10 | 0.4 | 311670 ☞ | 311674 ☞ | 311679 ☞ |
| | G 3/4 | 13 | 3.6 | 0...10 | 0.6 | 311681 ☞ | 311684 ☞ | 311688 ☞ |
| | G 1 | 20 | 8.3 | 0...10 | 1.1 | 311691 ☞ | 311693 ☞ | 311696 ☞ |

1.) Measurement at +20 °C, 1 bar^{3.)} at the valve inlet and free outlet
 2.) A differential pressure of 0.5 bar is required to open the full cross section.
 3.) Pressure data: overpressure to atmospheric pressure
 4.) For gas and vacuum applications, a minimum pressure of 0.5 bar is required for DC versions. Alternatively, HP00 versions can be used.

Standard version with Kick and Drop coil

| Circuit function | Port connection | Orifice [mm] | K _v value water [m ³ /h] | Coil power | | Pressure range [bar] | Article no. | |
|---|-----------------|-----------------|---|---------------------|----------------------|-------------------------|-------------|--------------|
| | | | | Inrush power [W] | Holding power [W] | | 024/ AC/DC | 230...240/AC |
| | | | | [W] | [W] | | [V/Hz] | [V/Hz] |
| Brass body, G internal thread, seal material FKM/FKM | | | | | | | | |
| CF A 2/2-way solenoid valve Direct-acting Normally closed | G 3/8 | 10.0 | 1.9 | 20 | 2 | 0...10 | 20047785 ☞ | 20047788 ☞ |
| | G 1/2 | 13.0 | 3.6 | 20 | 2 | 0...10 | 20047786 ☞ | 20047789 ☞ |
| | | | | 44 ^{1.)} | 6.5 ^{1.)} | | 20047791 ☞ | 20047793 ☞ |
| | G 3/4 | 20.0 | 8.3 | 20 | 2 | 0...10 | 20047787 ☞ | 20047790 ☞ |
| | | | | 44 ^{1.)} | 6.5 ^{1.)} | | 20047792 ☞ | 20047794 ☞ |
| | G 1 | 25.0 | 11 | 85 | 8.5 | 0...10 | 20004797 ☞ | 20048204 ☞ |
| | G 1 1/4 | 25.0 | 11 | 85 | 8.5 | 0...10 | 20048207 ☞ | 20048205 ☞ |
| | G 1 1/2 | 40.0 | 30 | 85 | 8.5 | 0...10 | 20008169 ☞ | 20048208 ☞ |
| G 2 | 40.0 | 30 | 85 | 8.5 | 0...10 | 20008170 ☞ | 20048210 ☞ | |

1.) Recommended for gas and vacuum applications

DTS 1000115690 EN Version: AC Status: RL (released | freigegeben | validé) printed: 21.06.2024

| Further versions on request | |
|--|--|
| Approval Further information can be found in chapter “3. Approvals and conformities” on page 5. | Coil Kick and Drop version: Coil with energy-saving Kick and Drop electronics in double-coil technology (CZ05) |
| Temperature <ul style="list-style-type: none"> EPDM version up to +100 °C with epoxy coil (NA38) FKM version up to +120 °C with epoxy coil (NA38) | Material <ul style="list-style-type: none"> Brass dezincification resistant (MZ) Nickel-plated brass (5 µm) (AF43) Gunmetal with external thread (DN 10, DN 13, DN 20) |
| Process connection NPT, Rc, welded connection | Voltage Further Voltages available |

8.5. Ordering chart accessories

Cable plug Type 2509, form A according to DIN EN 175301 - 803

Note:

- Dimensions in mm
- Without circuitry (standard)
- The cable plug Type 2509 meets the requirements in accordance with ATEX Cat. 3 GD in assembly with a Bürkert solenoid valve.
- The cable plug Type 2509 meets the requirements in accordance with UL Listed (UL 429) in assembly with a Bürkert solenoid valve.
- Refer to data sheet **Type 2509** ▶ for more information about the cable plug.

| Cable plug | Dimensions | Version | Voltage | Article no. |
|------------|------------|-------------------|-----------------|-------------|
| | | Without circuitry | 0...250 V AC/DC | 137943 |

Cable plug Type 2518, form A according to DIN EN 175301 - 803

Note:

- Dimensions in mm
- For further versions see data sheet **Type 2518** ▶.

| Cable plug | Dimensions | Version | Voltage | Article no. |
|------------|------------|--|-----------------|-------------|
| | | Without circuitry (AC/DC) | 0...250 V AC/DC | 314802 |
| | | With LED (AC/DC) | 12...24 V AC/DC | 314812 |
| | | With LED and varistor (AC/DC) | 12...24 V AC/DC | 314820 |
| | | With rectifier, LED and varistor | 12...24 V AC/DC | 314816 |
| | | Without circuitry (AC/DC) with silicone seal for higher ambient temperature, e.g. steam version (NA07) | 0...250 V AC/DC | 361687 |

DTS 1000115690 EN Version: AC Status: RL (released | freigegeben | validé) printed: 21.06.2024

Cable glands for ATEX/IECEX terminal box

Note:

- A cable gland in polyamide version is included in the delivery. A nickel-plated brass version can be ordered at surcharge.
- Refer to chapter “7.1. Cable glands for ATEX/IECEX terminal box” on page 15 for more information about Ex cable glands.
- Refer to chapter “7.2. Special tool to turn the terminal box” on page 15 for more information about special wrench.

| Description | Article no. |
|---|-------------|
| Ex cable gland, nickel-plated brass, 6...13 mm ^{1.)} | 773278 |
| Ex cable gland, polyamide, 7...13 mm ^{1.)} | 773277 |
| Set SC02-AC10: special wrench ^{2.)} incl. service manual | 293488 |



1.) Cable diameter

2.) Not included in the scope of delivery of the valve

Timer Type 1087, form A according to DIN EN 175301 - 803

Note:

Refer to data sheet **Type 1087** for more information about the timer.

| Timer | Approval | Product code | Voltage range | Article no. |
|--|----------|-------------------------|-------------------|-------------|
|  <p>Analogue version</p> | – | 1087-A-BCH-UC - 28 | 10...30 V AC/DC | 348828 |
| | – | 1087-A-BDK-UC - 28 | 24...240 V AC/DC | 348829 |
| | cURus | 1087-A-BCH-UC - 28*PU01 | 10...30 V AC/DC | 348906 |
| | cURus | 1087-A-BDK-UC - 28*PU01 | 24...240 V AC/DC | 348907 |
|  <p>Digital version</p> | – | 1087-A-BFW-UC - 29 | 10...48 V AC/DC | 348830 |
| | – | 1087-A-BDX-UC - 29 | 110...240 V AC/DC | 348831 |
| | cURus | 1087-A-BFW-UC - 29*PU01 | 10...48 V AC/DC | 348908 |
| | cURus | 1087-A-BDX-UC - 29*PU01 | 110...240 V AC/DC | 348909 |

DTS 1000115690 EN Version: AC Status: RL (released | freigegeben | valide) printed: 21.06.2024